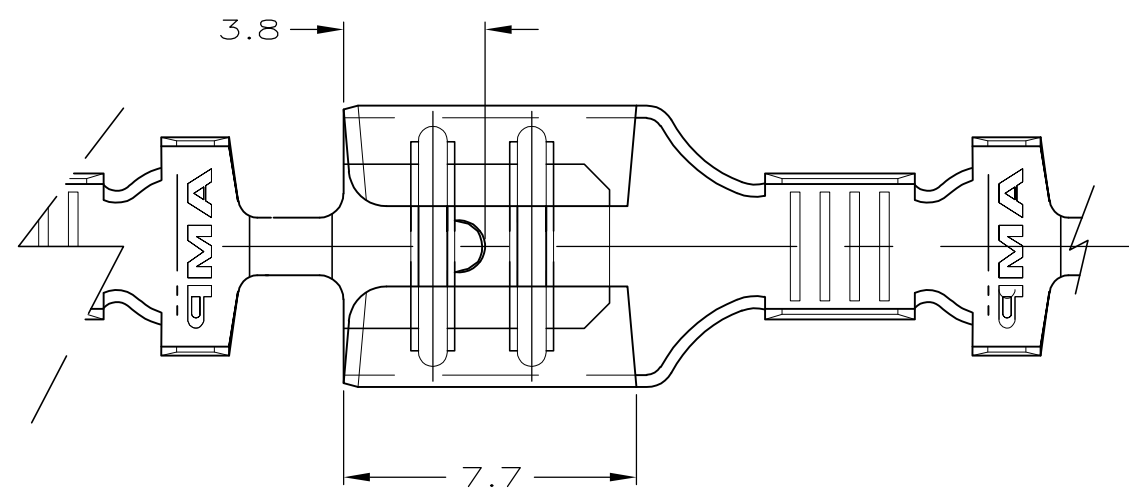
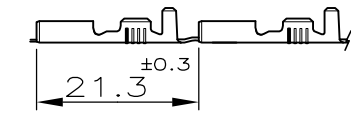


THIS DRAWING IS UNPUBLISHED. RELEASED FOR PUBLICATION  
 © COPYRIGHT - By - ALL RIGHTS RESERVED.

REVISIONS					
P	LTR	DESCRIPTION	DATE	DWN	APVD
	AW8	REVISED PER ECR-15-014073	10FEB17	HG	TD



1) STATO DI FORNITURA - SCALA 1:1  
 (SUPPLY CONDITION - SCALE 1:1)

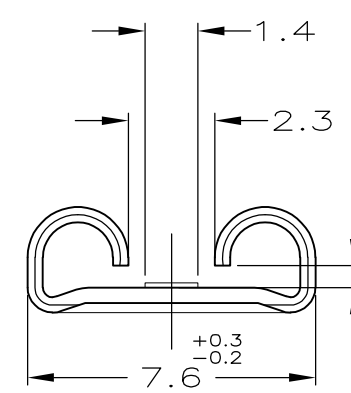


SENSO DI USCITA  
 DEL TERMINALE  
 DALLA BOBINA  
 (DIRECTION OFF  
 TOP OF REEL)

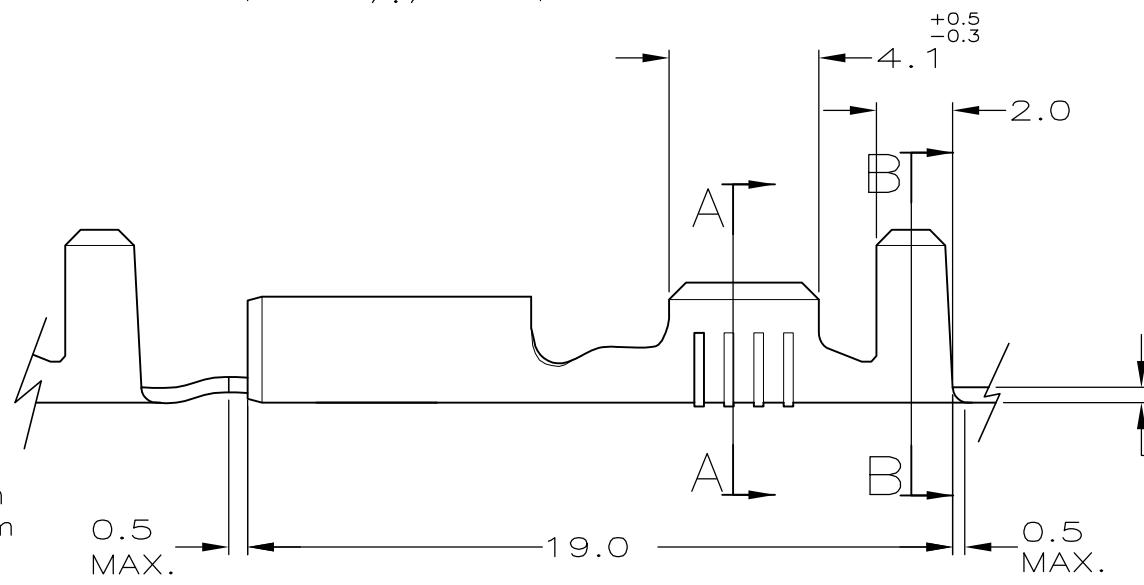
2) SPECIFICA DI PRODOTTO 108-20019  
 (PRODUCT SPEC. 108-20019)  
 SPECIFICA DI APPLICAZIONE 114-20023  
 (APPLICATION SPEC. 114-20023).

3) PER LE VERSIONI IN PEZZI SCIOLTI  
 VEDERE DISEGNO 160506  
 (FOR LOOSE PIECE VERSION SEE DRAWING 160506).

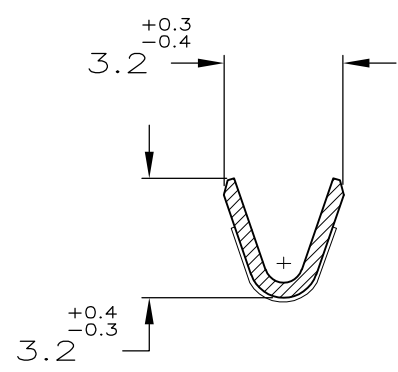
- 4) NON IN PRODUZIONE  
 (NOT YET RELEASE FOR PRODUCTION)
- 5) ADATTO PER ALTA FORZA DI ESTRAZIONE  
 (SUITABLE FOR HIGHER EXTRACTION FORCE)
- 6) ADATTO PER TAB SPESSO 0.63mm.  
 (FOR 0.63mm TAB THK.)
- 7) PACKAGE WITH INTERLAYER PAPER



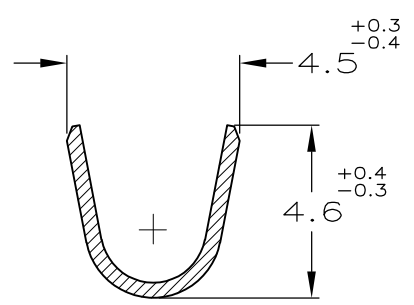
FOR 0.8mm  
 & 0.63mm  
 TAB THK.



SEZIONE A-A  
 (SECTION A-A)



SEZIONE B-B  
 (SECTION B-B)



7/4	STAGNATO (TINPLATED)	OTTONE (BRASS)	7-160432-4	AY
6/4	STAGNATO (TINPLATED)	OTTONE (BRASS)	7-160432-3	AY
5/4	STAGNATO (TINPLATED)	OTTONE (BRASS)	7-160432-2	AW
5/4	NUDO (UNPLATED)	OTTONE (BRASS)	7-160432-1	AW
	STAGNATO (TINPLATED)	OTTONE (BRASS)	7-160432-0	AU
	NUDO (UNPLATED)	BRONZO FOSF.(PH. BRONZE)	6-160432-4	AU
	PRE NICHELATO (PRE NICKEL PLATED)	ACCIAIO (STEEL)	6-160432-3	AU
	STAGNATO (TINPLATED)	BRONZO FOSF.(PH. BRONZE)	6-160432-0	AU
	ARGRNTATO (SILVER PLATED)	OTTONE (BRASS)	5-160432-7	AW
	STAGNATO (TINPLATED)	OTTONE (BRASS)	5-160432-4	AU
	NUDO (UNPLATED)	OTTONE (BRASS)	5-160432-3	AW
NOTE (NOTES)	FINITURA (FINISH)	MATERIALE (MATERIAL)	NUMERO (P/N)	REV

THIS DRAWING IS A CONTROLLED DOCUMENT.		DWN H.YAALI 14 MAY 99	TE Connectivity	
		CHK C.TARTARI 14 MAY 99		
DIMENSIONS: mm		APVD -	NAME	
TOLERANCES UNLESS OTHERWISE SPECIFIED: ±0.3		PRODUCT SPEC -	FASTON® Connector .250 SERIES REC. CONTACT	
0 PLC ±		APPLICATION SPEC 2	SIZE	CAGE CODE
1 PLC ±		WEIGHT 0.785	A3	00779
2 PLC ±		CUSTOMER DRAWING	DRAWING NO	C-160432
3 PLC ±		SCALE -	SHEET	1 OF 1
4 PLC ±		RESTRICTED TO -	REV	AW8
ANGLES ±2°				
MATERIAL/MATERIALE	FINISH/FINITURA			
SEE TABLE (VEDI LA TABELLA)	SEE TABLE (VEDI LA TABELLA)			

# Mouser Electronics

Authorized Distributor

Click to View Pricing, Inventory, Delivery & Lifecycle Information:

[TE Connectivity:](#)

[5-160432-4](#) [5-160432-4 \(Mouser Reel\)](#) [5-160432-4 \(Cut Strip\)](#)