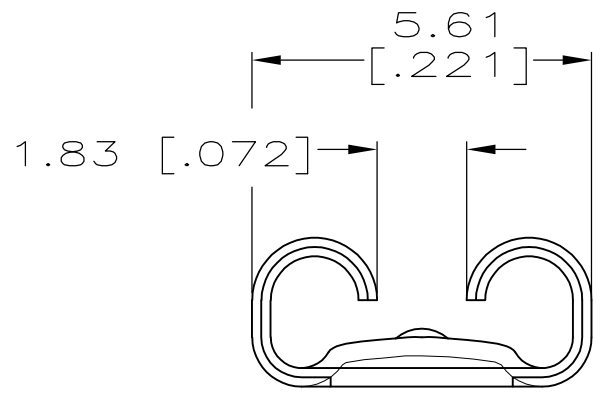
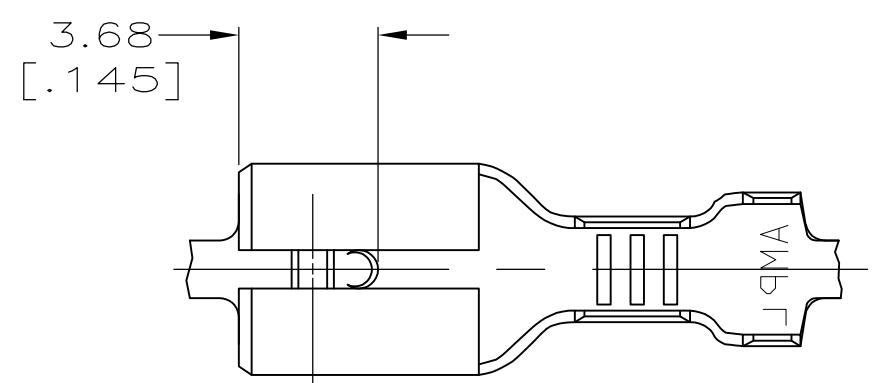


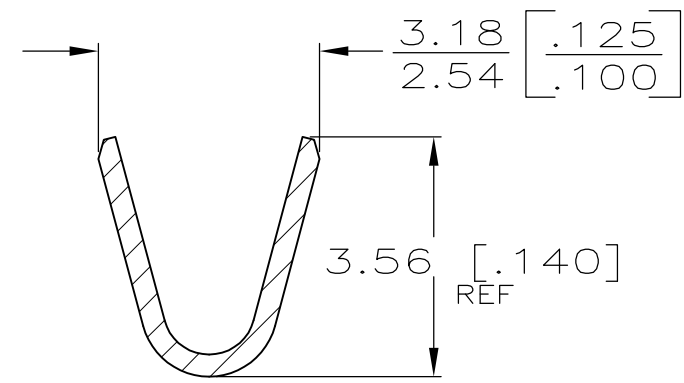
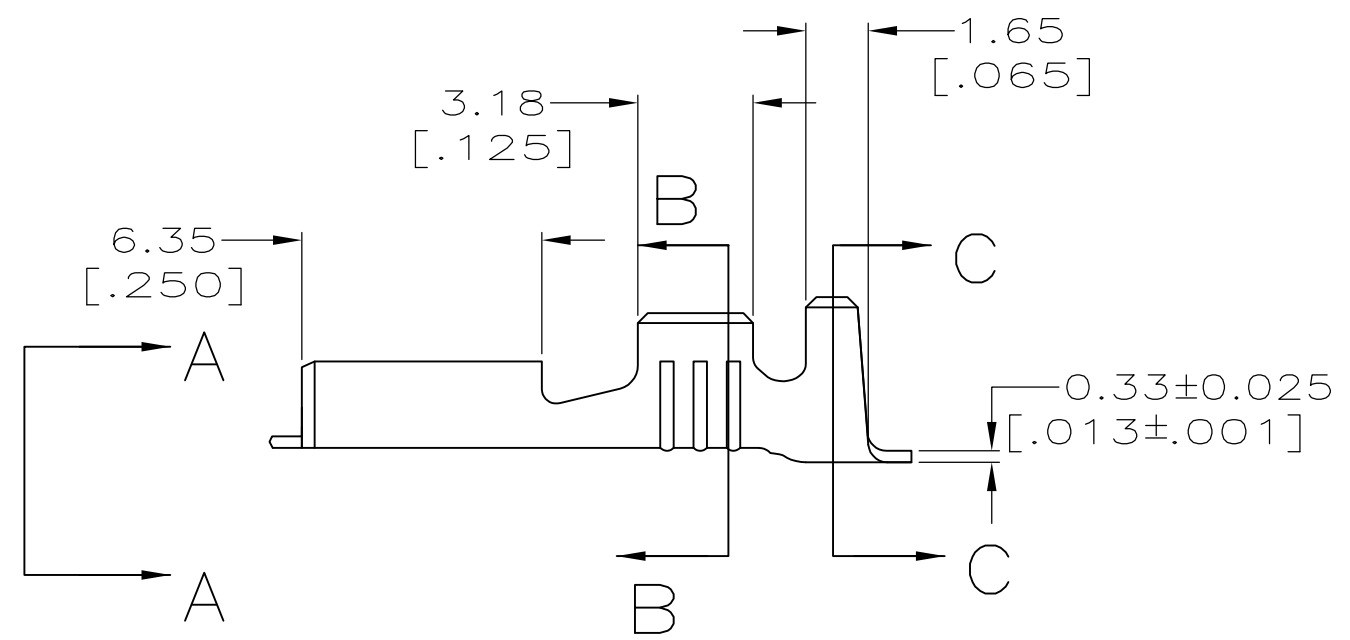
THIS DRAWING IS UNPUBLISHED. RELEASED FOR PUBLICATION
 © COPYRIGHT - By - ALL RIGHTS RESERVED.

LOC	DIST	REVISIONS			
P	LTR	DESCRIPTION	DATE	DWN	APVD
AF	50	J	REVISED PER ECR-12-013518	23NOV2012	KH PD

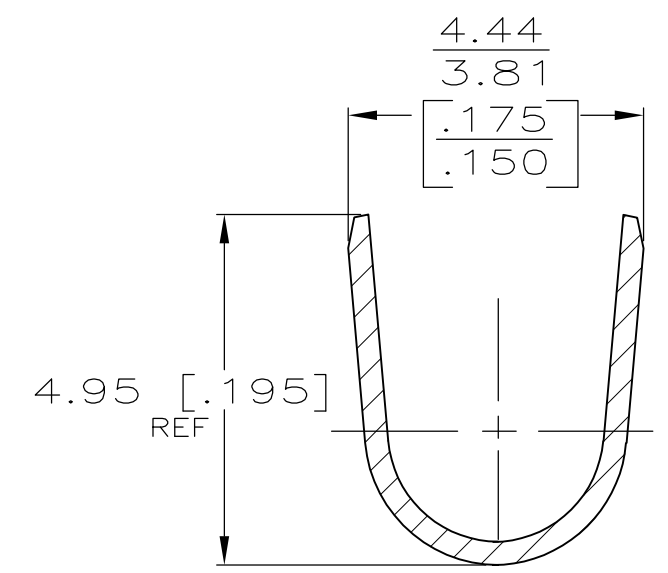
- 1 ACCEPTS WIRE SIZE [#20-#16] AWG.
- 2 INSULATION RANGE IS 2.29-3.30 [.090-.130] DIA.
- 3 CONTINUOUS STRIP ON REELS.
- 4 MATING TAB THK IS 0.813±0.025 [.032±.001].
- △5 SPECIAL PACKAGING
- △7 PRELIMINARY - NOT FOR PRODUCTION



VIEW A-A
SCALE 8:1



SECTION B-B
SCALE 8:1



SECTION C-C
SCALE 8:1

TIN	PHOS BRONZE	63477-6
-	BRASS	△5 63477-5 △7
TIN	BRASS	63477-2
-	BRASS	63477-1
FINISH	MATERIAL	PART NO.

THIS DRAWING IS A CONTROLLED DOCUMENT.		DWN	JR RUTH	11/9/87	TE Connectivity RECEPTACLE, LIF, FASTON, 4.75 [.187] SERIES					
DIMENSIONS: mm [INCHES]		CHK	G YETTER	11/10/87				NAME		
TOLERANCES UNLESS OTHERWISE SPECIFIED:		APVD	R KUZO	11/10/87				PRODUCT SPEC		
0 PLC ± - 1 PLC ± - 2 PLC ± 0.25 [.010] 3 PLC ± - 4 PLC ± - ANGLES ± -		APPLICATION SPEC						RESTRICTED TO		
MATERIAL SEE TABLE		FINISH SEE TABLE			WEIGHT	-	SIZE	CAGE CODE	DRAWING NO	RESTRICTED TO
CUSTOMER DRAWING					SCALE	5:1	SHEET	1 OF 1	REV	J

Mouser Electronics

Authorized Distributor

Click to View Pricing, Inventory, Delivery & Lifecycle Information:

[TE Connectivity:](#)

[63477-2](#)