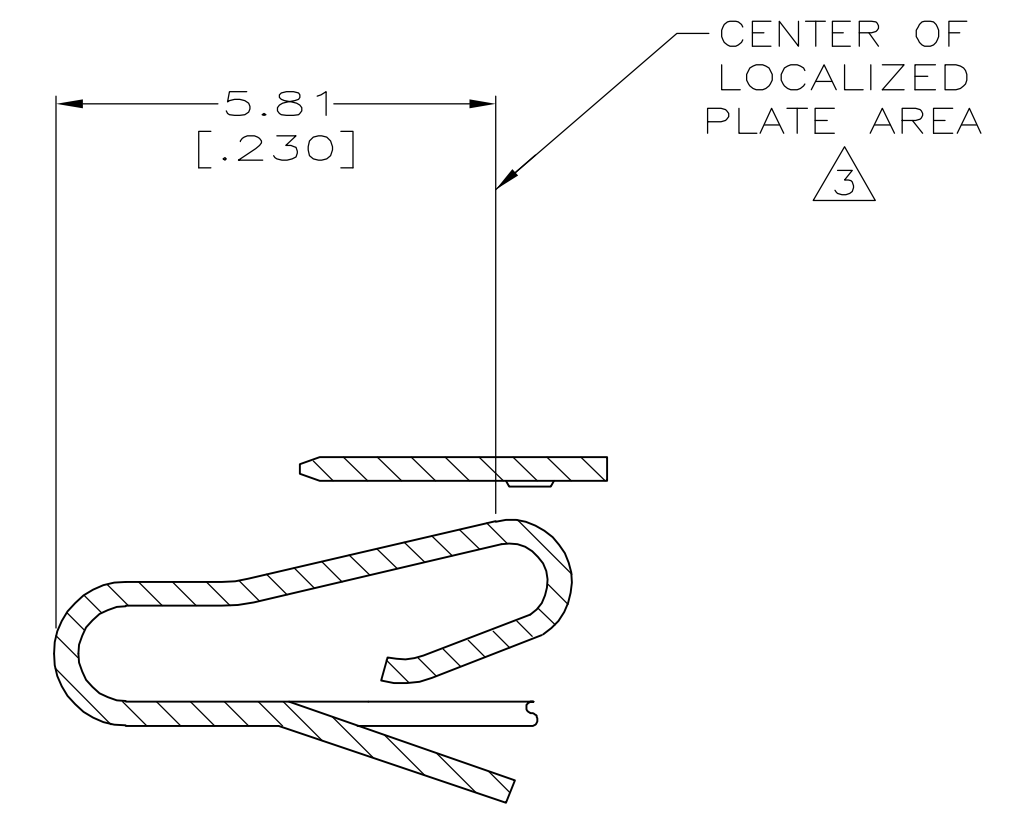
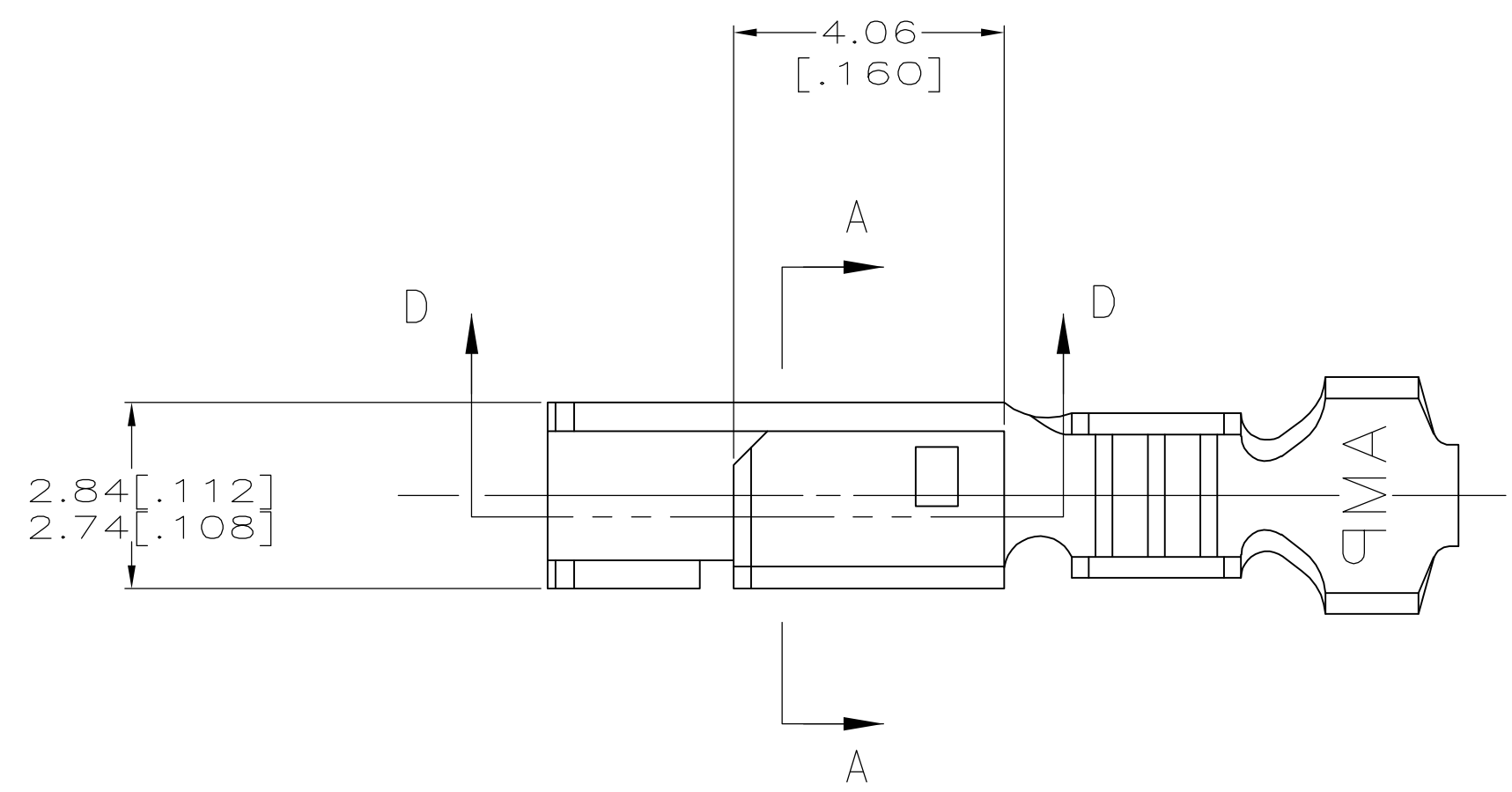
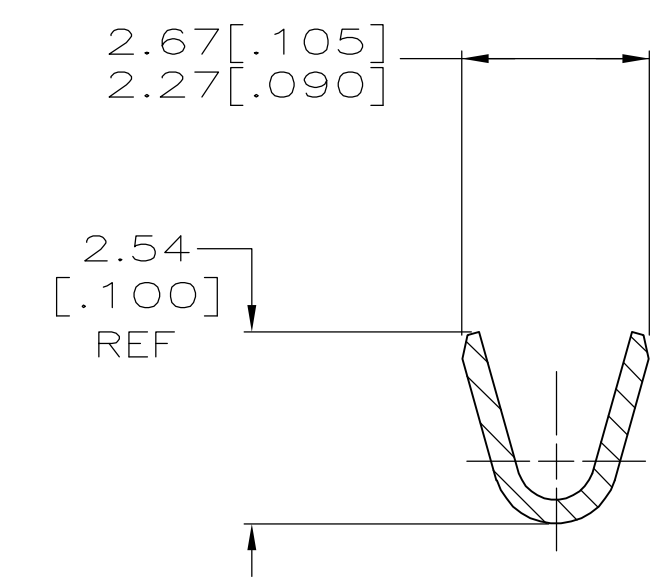
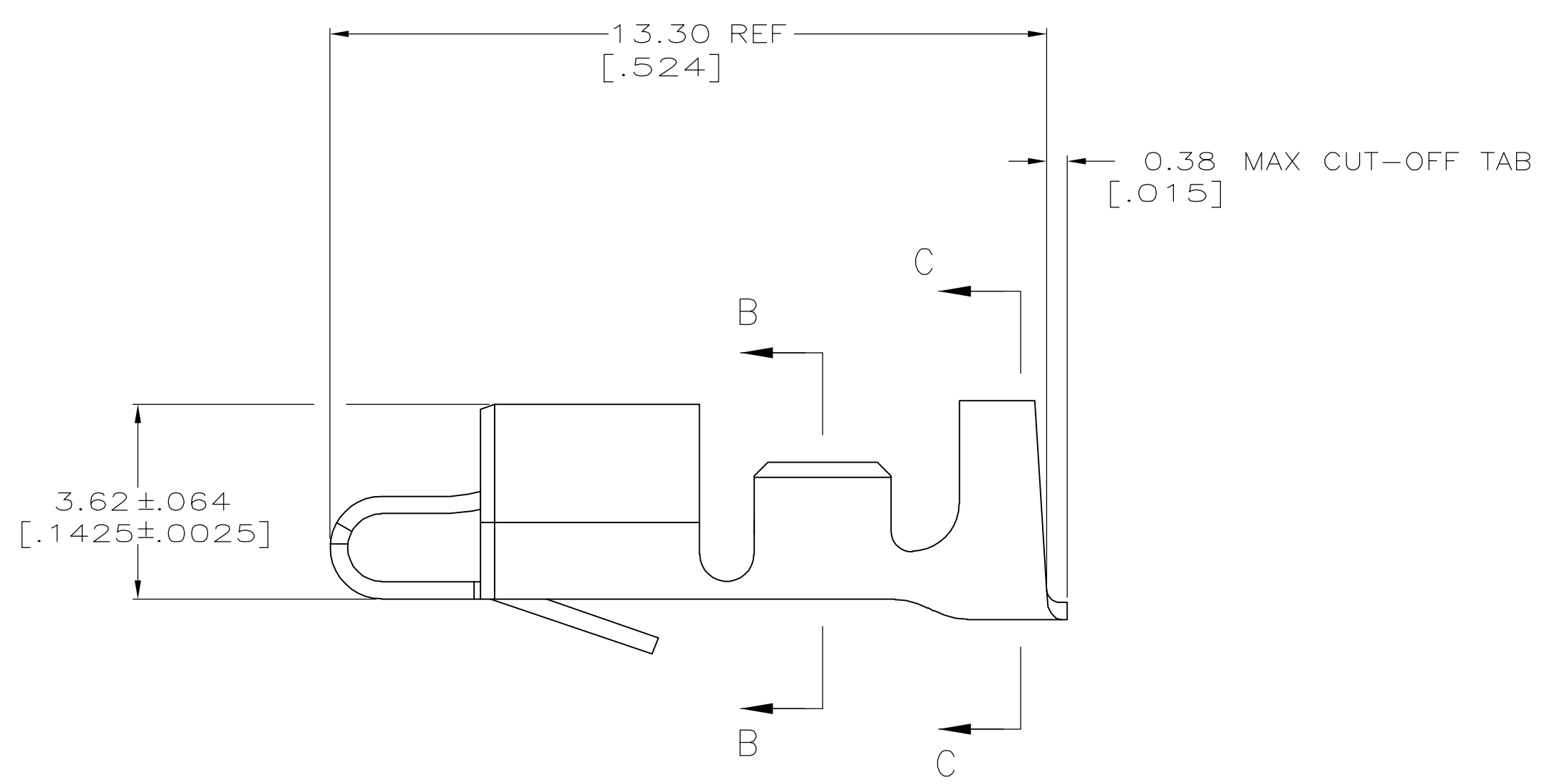


LOC		DIST		REVISIONS			
P	LTR	DESCRIPTION	DATE	DWN	APVD		
A		REVISED PER 063B-1213-04	9/9/05	SS	JE		

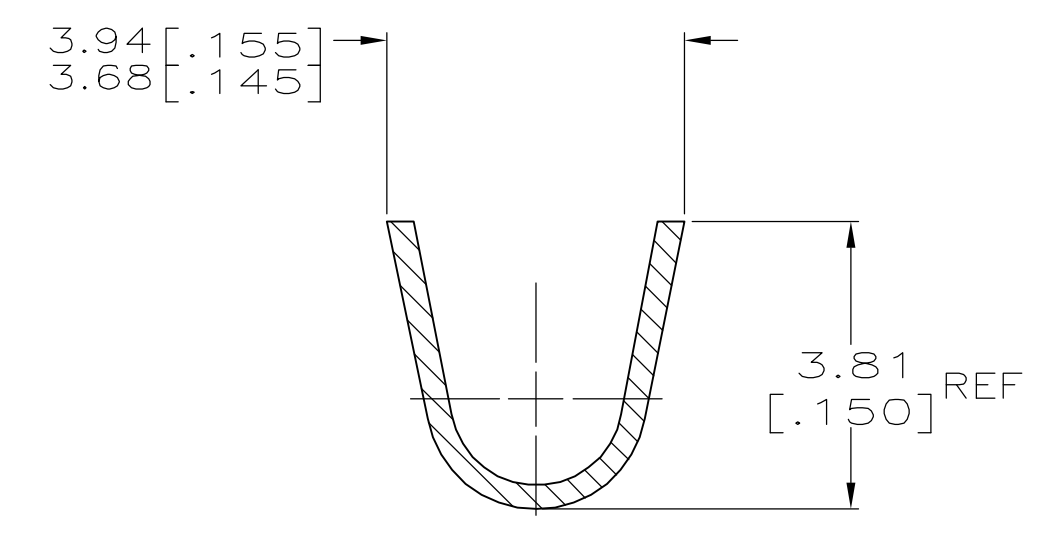
- INSULATION RANGE: 1.78-2.84 [.070-.112]
 WIRE RANGE: 0.2-0.9 mm² (24-18) AWG.
- 0.00203 [.000080] MIN BRIGHT TIN-LEAD OVER
 0.00127 [.000050] MIN NICKEL.
- 0.00076 [.000030] MIN THICK GOLD STRIPES IN
 LOCALIZED PLATE AREA ON BEAM AND DIMPLE OVER
 0.00127 [.000050] MIN THICK NICKEL OVER ENTIRE
 CONTACT.
- DIMENSIONS IN BRACKETS ARE IN INCHES.
- FOR USE ONLY WITH LID STYLE HOUSING.
- 0.00203 [.000080] MIN BRIGHT TIN OVER
 0.00127 [.000050] MIN NICKEL.



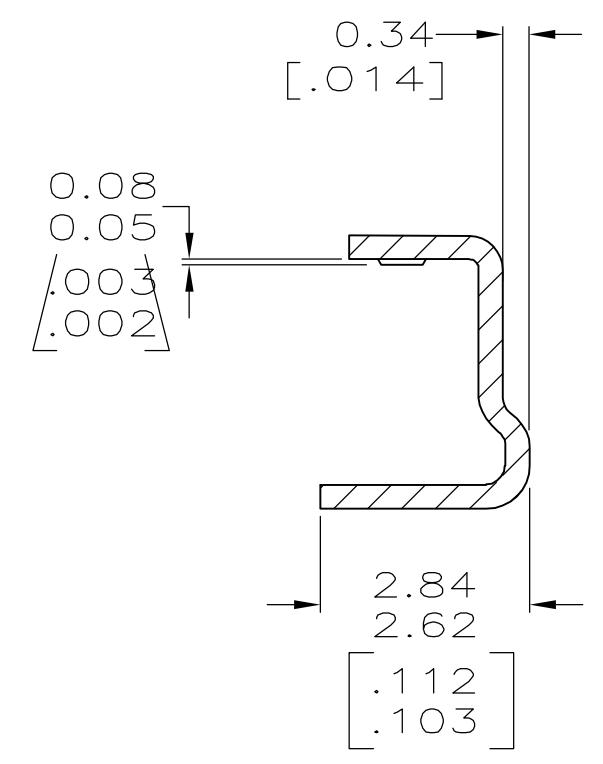
SECTION D-D



SECTION B-B

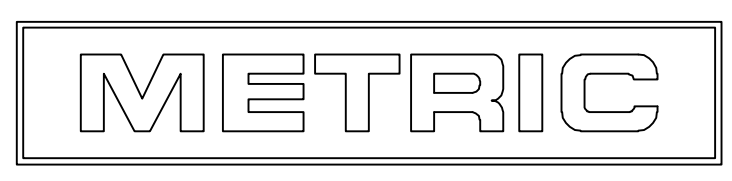


SECTION C-C



SECTION A-A
 ROTATED 90° CCW

FINISH	POST PLATE	PRE-PLATE		
6	—	—	PHOS BRONZE	3-647409-1
—	3	—	PHOS BRONZE	647409-2
2	—	—	PHOS BRONZE	647409-1



THIS DRAWING IS A CONTROLLED DOCUMENT.

DIMENSIONS: mm [INCHES]	TOLERANCES UNLESS OTHERWISE SPECIFIED: 0. PLC ± - 1. PLC ± - 2. PLC ± - 3. PLC ± .005 4. PLC ± - ANGLES ± ± -	DWN K. WHITAKER 15-JAN-2001	APVD J. ELLIS 15-JAN-2001	NAME SL-156 HOODED RECEPTACLE, LARGE DIA. INSULATION TYPE, LOOSE PIECE
MATERIAL SEE TABLE	FINISH -	WEIGHT -	SIZE A1	SCALE 10:1

Customer Drawing: 100779C=647409

Scale: 10:1, Sheet: 1 of 1, Rev: A

Mouser Electronics

Authorized Distributor

Click to View Pricing, Inventory, Delivery & Lifecycle Information:

[TE Connectivity:](#)

[647409-1](#)