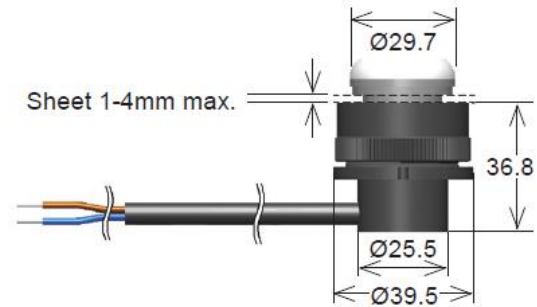


# MK25 Series Reed Sensors



- Features: Ex-approved, Choice of Cable Termination & Lengths, Button Plates in Different Colors available
- Applications: Petrochemical and Mining Industry, Filling Stations, Hazardous Areas
- Markets: Industrial, Security & Others

Part Description: **MK 25 - 0X00 - 000X**



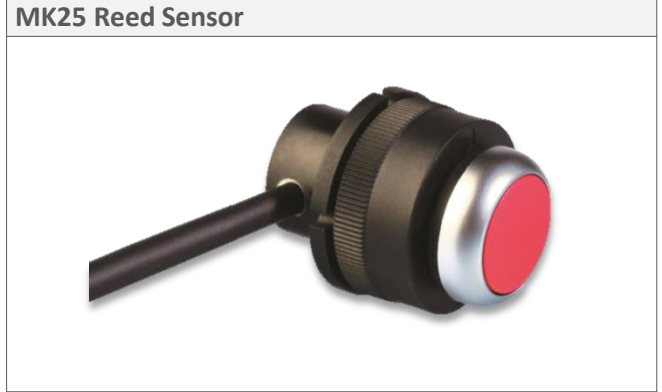
Contact QTY	Contact Form	Switch Model	Cable Length (mm)	Termination
1	A, C	46, 75, 90	100, 200, 300, 500, 1,000, 1,500	w

Customer Options	Switch Model			Unit
	46	75	90	
<b>Contact Data</b>				
<b>Rated Power (max.)</b> Any DC combination of V&A not to exceed their individual max.'s	10	10	3	W
<b>Switching Voltage (max.)</b> DC or peak AC	100	230	30	V
<b>Switching Current (max.)</b> DC or peak AC	0.5	0.5	0.2	A
<b>Carry Current (max.)</b> DC or peak AC	1.5	1.0	0.5	A
<b>Contact Resistance (max.)</b> @ 0.5V & 50mA	150	200	150	mOhm
<b>Breakdown Voltage (min.)</b> According to EN60255-5	0.225	0.4	0.15	kVDC
<b>Operating Time (max.)</b> Incl. Bounce; Measured with w/ Nominal Voltage	0.7	0.5	2.5	ms
<b>Release Time (max.)</b> Measured with no Coil Excitation	0.1	0.1	0.5	ms
<b>Insulation Resistance (typ.)</b> Rh<45%, 100V Test Voltage	10 <sup>9</sup>	10 <sup>10</sup>	10 <sup>9</sup>	GOhm
<b>Capacitance (typ.)</b> @ 10kHz across open Switch	0.2	0.4	1.5	pF

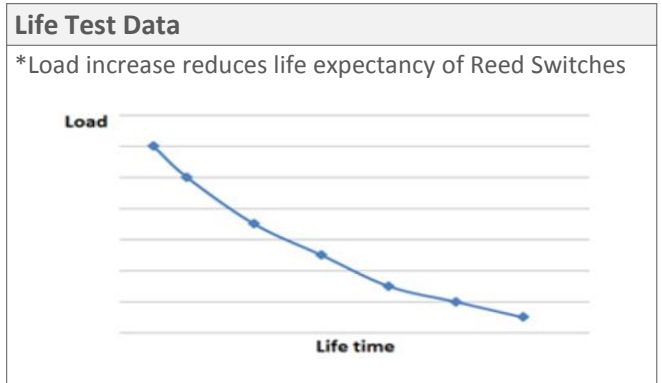
Housing and Cable Specifications	
Housing Material	PA 6, Typ Miramid VE
Case Color	Black
Sealing Compound	Polyurethan/Elastosil
Cable Typ	Round Cable
Cable Material	Oil resistant Cable H05RN-F
Cross Section (mm <sup>2</sup> )	2 x 0.75

Environmental Data		Unit
Shock Resistance (max.) 1/2 sine wave duration 11ms	50	g
Vibration Resistance (max.)	20	g
Operating Temperature Cable not moved	-40 to 60	°C
Operating Temperature Cable moved	-05 to 70	°C
Storage Temperature	-40 to 60	°C

Glossary Contact Form		
Form A	NO = Normally Open Contacts SPST = Single Pole Single Throw	
Form B	NC = Normally Closed Contacts SPST = Single Pole Single Throw	
Form C	Changeover SPDT = Single Pole Double Throw	



- ### Handling & Assembly Instructions
- Cable bending-radius is diameter x 15
  - Min. bending distance to housing is 20mm
  - Cable exit twistable
  - Decrease switching distance by mounting on iron
  - Push button tentative
  - Series resistor recommended for > 5m cable length



# Mouser Electronics

Authorized Distributor

Click to View Pricing, Inventory, Delivery & Lifecycle Information:

[Standex Electronics:](#)

[MK25-1A46-5000W](#) [MK25-1C90-5000W](#) [MK25-1A46-BV03500](#)