

THIS DRAWING IS UNPUBLISHED.

RELEASED FOR PUBLICATION

REVISIONS

© COPYRIGHT - By -

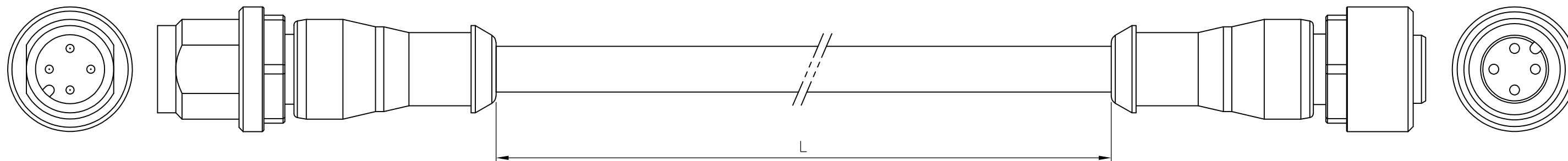
ALL RIGHTS RESERVED.

P	LTR	DESCRIPTION	DATE	DWN	APVD
	A	INITIAL RELEASE	29NOV2013	YC	BvH
	A1	ECR-14-015049	13OCT2014	GSK	BvH
	A2	ECR-16-003945	16MAR2016	GSK	BvH

NOTES:

Tolerances cable lengths:

0m to 0.5m	+30mm
0.5m to 1.0m	+50mm
1.0m to 3.0m	+100mm
< 3.0m	+1.5%

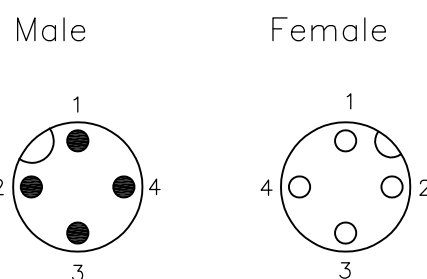


TECHNICAL DATA	
Operating voltage	max. 250 V AC/DC
Operating current per contact	max. 4 A
Locking of ports	Screw thread M12 x 1 mm (recommended torque 0.6 Nm) self-securing
Protection	IP65 and IP67 when plugged and screwed down (EN 60529)

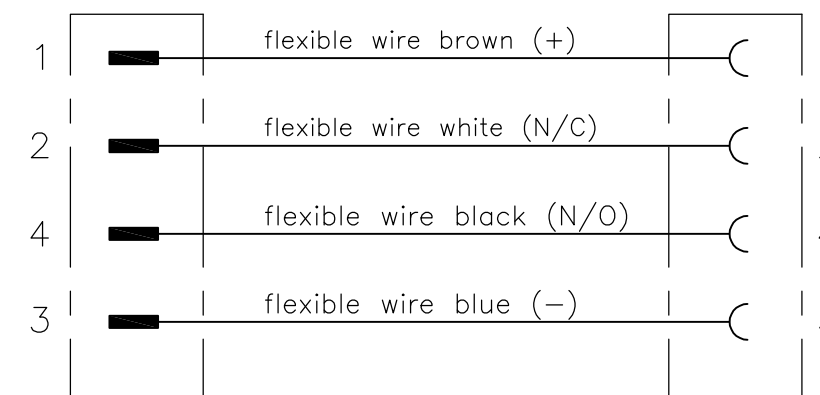
PUR CABLE	
No./diameter of wires	4 x 0.34 mm <sup>2</sup>
Wire isolation	PP (br, wh, bl, bk)
C-track properties	5 million
Jacket	PUR (UL/CSA)
Outer diameter	approx. 4.7 mm
Bend radius (moving)	10 x outer diameter
Temperature range (fixed)	-40...+80 °C
Temperature range (mobile)	-25...+80 °C

PVC CABLE	
No./diameter of wires	4 x 0.34 mm <sup>2</sup>
Wire isolation	PVC (br, wh, bl, bk)
C-track properties	
Jacket	PVC (UL/CSA)
Outer diameter	approx. 5.0 mm
Bend radius (moving)	10 x outer diameter
Temperature range (fixed)	-30...+80 °C
Temperature range (mobile)	-5...+80 °C

Contact Layout



Schematic diagram



LENGTH "L"	MATERIAL	JACKET COLOR	TE PN	DESCRIPTION	ITEM
4 pos	PVC	Black	1-2273113-5	4x22AWG PVC 2.0m	10
			1-2273113-4	4x22AWG PVC 1.5m	9
			1-2273113-3	4x22AWG PVC 1.0m	8
			1-2273113-2	4x22AWG PVC 0.6m	7
			1-2273113-1	4x22AWG PVC 0.3m	6
4 pos	PUR	Black	2273113-5	4x22AWG PUR 2.0m	5
			2273113-4	4x22AWG PUR 1.5m	4
			2273113-3	4x22AWG PUR 1.0m	3
			2273113-2	4x22AWG PUR 0.6m	2
			2273113-1	4x22AWG PUR 0.3m	1

THIS DRAWING IS A CONTROLLED DOCUMENT.		DWN YATHISH.C 29NOV2013	<b>STE</b> TE Connectivity		
		CHK B.VELDHOVEN 29NOV2013			
		APVD A.VAN ZANDVOORT 29NOV2013	NAME M12 STRGT PLUG TO M12 STRGT SOCKET AA		
DIMENSIONS: mm		PRODUCT SPEC 108-19483			
TOLERANCES UNLESS OTHERWISE SPECIFIED:		APPLICATION SPEC 114-32127			
MATERIAL		WEIGHT	SIZE A3	CAGE CODE 00779	DRAWING NO C-2273113
FINISH		CUSTOMER DRAWING		RESTRICTED TO	SCALE NTS
				SHEET 1 OF 1	REV A2

# Mouser Electronics

Authorized Distributor

Click to View Pricing, Inventory, Delivery & Lifecycle Information:

[TE Connectivity:](#)

[2273113-4](#)