



BOARD LEVEL COOLING – Plug In 5728

Plug In 5728 is a series of plug in channel board level heat sinks designed to cool TO-220 devices. Representative image only.

ORDERING INFORMATION

Part Number	Device Type
572802B00000G	TO-220
572802B03100G	TO-220
572802B03900G	TO-220
572802B04000G	TO-220
572802B04100G	TO-220



HEAT SINK DETAILS

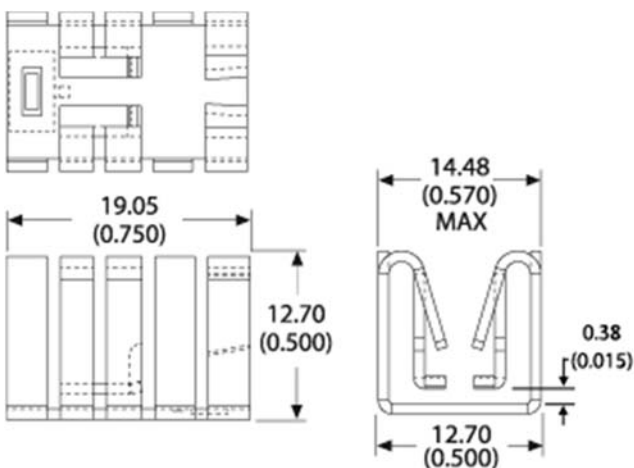
Property	Details
Material	Aluminum
Finish	Black Anodize
Device Attachment Options	Integrated Spring Action Clips
Thermal Interface Material	-

Property	Details
Heat Sink Width (mm)	19.05
Heat Sink Length (mm)	12.70
Heat Sink Height (mm)	14.48
Heat Sink Mounting Direction	Vertical, Horizontal

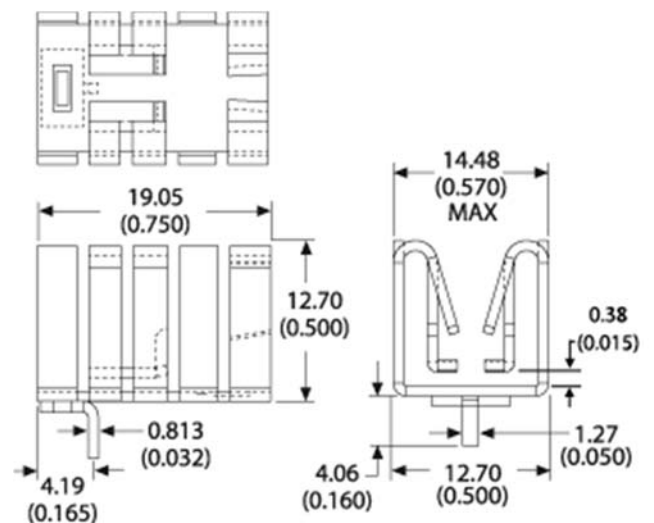
MECHANICAL & PERFORMANCE

Drawing dimensions are shown in mm, (in)

Part Number: 572802B00000G

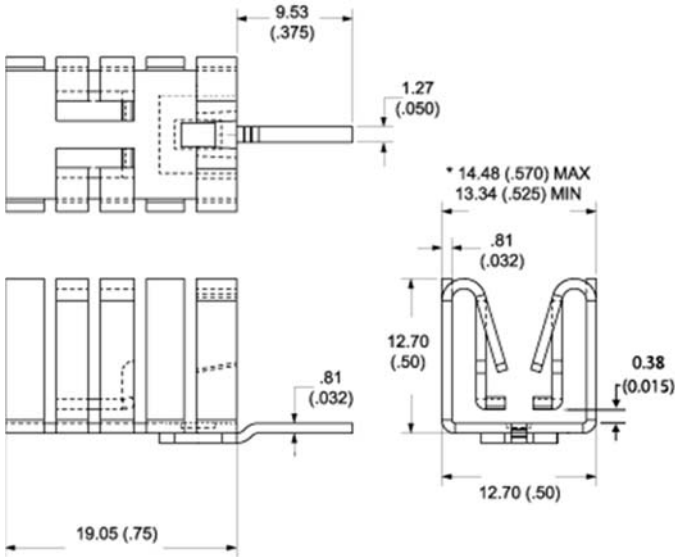


Part Number: 572802B03100G

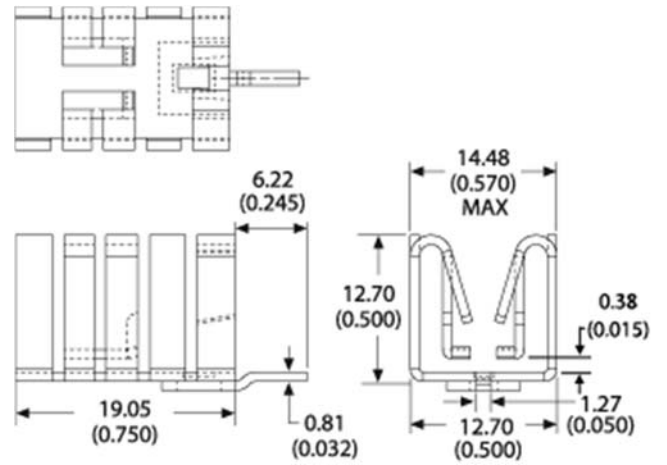


Board Level Cooling – Plug In 5728

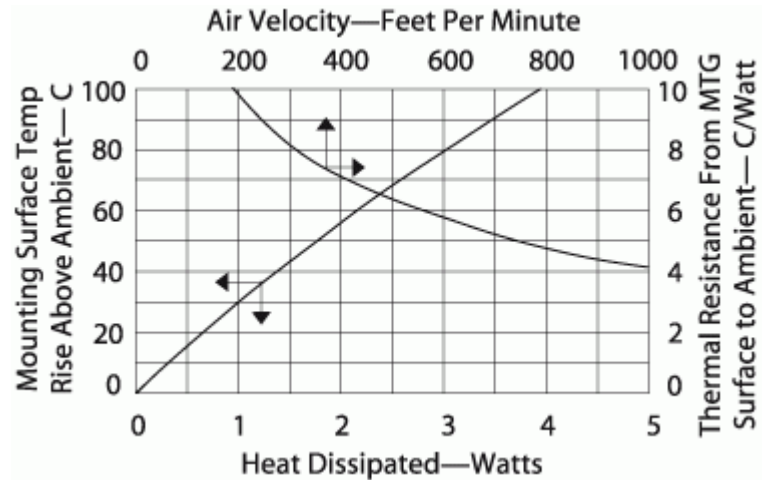
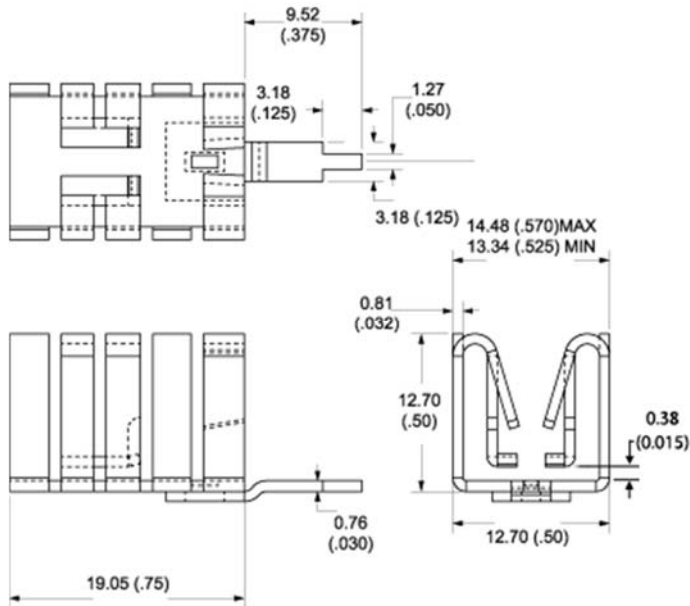
Part Number: 572802B03900G



Part Number: 572802B04000G



Part Number: 572802B04100G



Mouser Electronics

Authorized Distributor

Click to View Pricing, Inventory, Delivery & Lifecycle Information:

[Aavid Thermalloy:](#)

[572802B00000G](#) [572802B03100G](#) [572802B03900G](#) [572802B04000G](#) [572802B04100G](#)