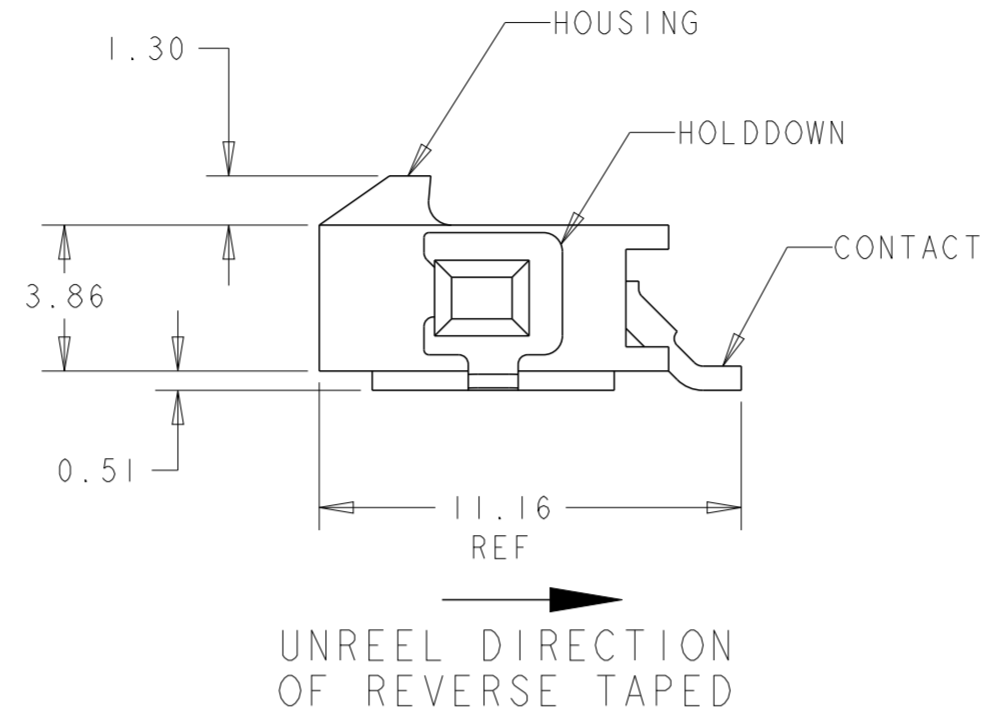
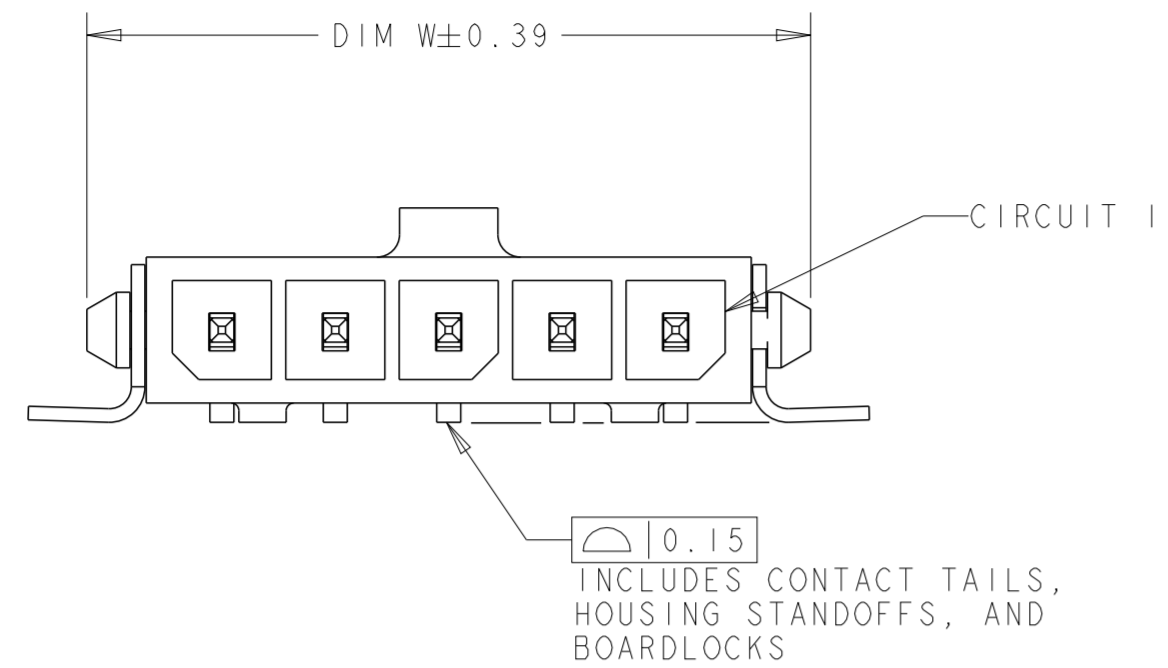
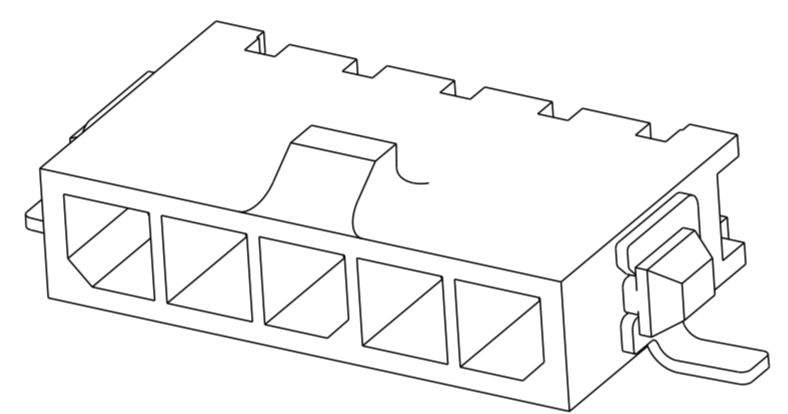
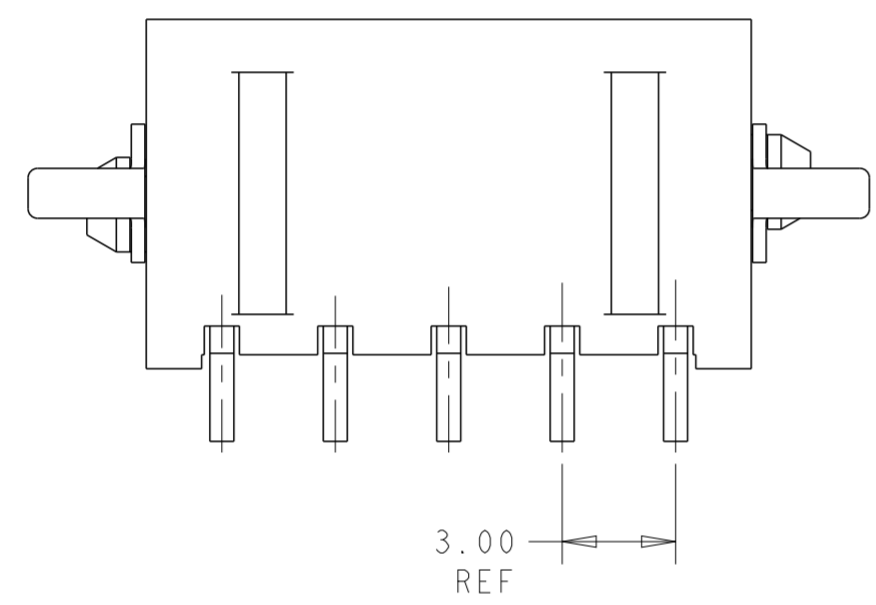


THIS DRAWING IS UNPUBLISHED. RELEASED FOR PUBLICATION 2009  
 © COPYRIGHT 2009 BY - ALL RIGHTS RESERVED.

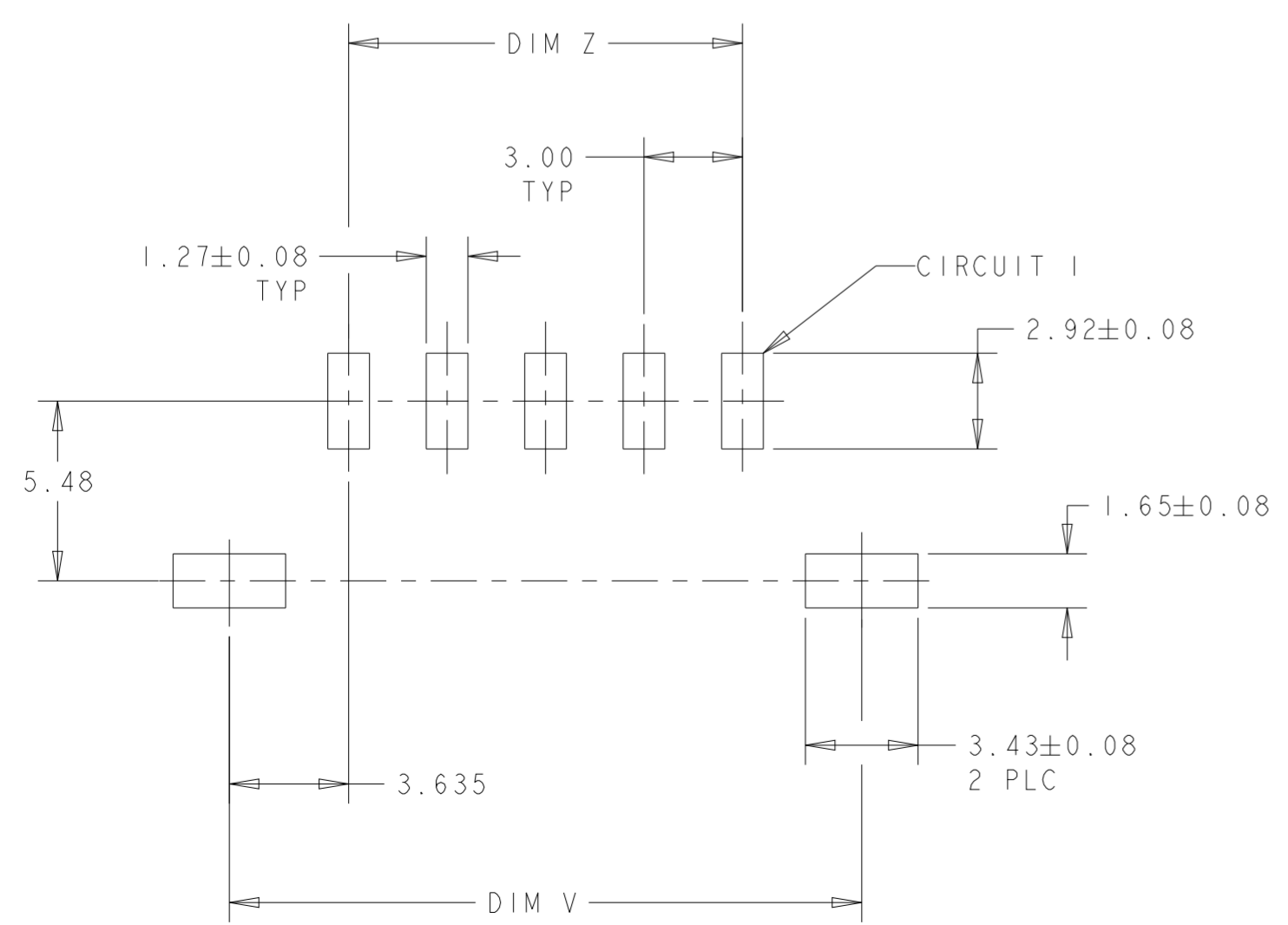
REVISIONS					
P	LTR	DESCRIPTION	DATE	DWN	APVD
	C2	REVISED PER ECR-16-011494	20JUN2017	NK	CX



- 1 MATERIAL: CONTACTS - BRASS  
HOUSING - UL 94V-0 RATED HIGH TEMP NYLON, COLOR BLACK.  
HOLDDOWNS: - PHOSPHOR BRONZE.
- 2 PLATING: CONTACTS - 0.76µm MINIMUM GOLD ON MATING END, 2.54µm MINIMUM TIN LEAD ON SOLDER TAILS, BOTH OVER 1.27µm MINIMUM NICKEL.  
HOLDDOWNS: 2.54µm MINIMUM MATTE TIN OVER 1.27µm MINIMUM NICKEL.
- 4 RECOMMENDED PC BOARD THICKNESS OF 1.57.
- 5 PLATING: CONTACTS - 0.76µm MINIMUM GOLD ON MATING END, 2.54µm MINIMUM MATTE TIN ON SOLDER TAILS, BOTH OVER 1.27µm MINIMUM NICKEL.  
HOLDDOWNS: 2.54µm MINIMUM MATTE TIN OVER 1.27µm MINIMUM NICKEL.



REVERSE TAPED	5	9.00	16.41	16.00	4	6-1445100-4
TAPED	5	33.00	40.41	40.00	12	3-1445100-2
TAPED	5	30.00	37.41	37.00	11	3-1445100-1
TAPED	5	27.00	34.41	34.00	10	3-1445100-0
TAPED	5	24.00	31.41	31.00	9	2-1445100-9
TAPED	5	21.00	28.41	28.00	8	2-1445100-8
TAPED	5	18.00	25.41	25.00	7	2-1445100-7
TAPED	5	15.00	22.41	22.00	6	2-1445100-6
TAPED	5	12.00	19.41	19.00	5	2-1445100-5
TAPED	5	9.00	16.41	16.00	4	2-1445100-4
TAPED	5	6.00	13.41	13.00	3	2-1445100-3
TAPED	5	3.00	10.41	10.00	2	2-1445100-2
SUPERSEDED BY 3-1445055-2	2	33.00	40.41	40.00	12	+1445100-2
SUPERSEDED BY 3-1445055-1	2	30.00	37.41	37.00	11	+1445100-1
SUPERSEDED BY 3-1445055-0	2	27.00	34.41	34.00	10	+1445100-0
SUPERSEDED BY 2-1445055-9	2	24.00	31.27	31.00	9	+445100-9
SUPERSEDED BY 2-1445055-8	2	21.00	28.41	28.00	8	+445100-8
SUPERSEDED BY 2-1445055-7	2	18.00	25.41	25.00	7	+445100-7
SUPERSEDED BY 2-1445055-6	2	15.00	22.41	22.00	6	+445100-6
SUPERSEDED BY 2-1445055-5	2	12.00	19.41	19.00	5	+445100-5
SUPERSEDED BY 2-1445055-4	2	9.00	16.41	16.00	4	+445100-4
SUPERSEDED BY 2-1445055-3	2	6.00	13.41	13.00	3	+445100-3
SUPERSEDED BY 2-1445055-2	2	3.00	10.41	10.00	2	+445100-2



PCB LAYOUT COMPONENT SIDE 4

SUPERSEDED BY 3-1445055-2
SUPERSEDED BY 3-1445055-1
SUPERSEDED BY 3-1445055-0
SUPERSEDED BY 2-1445055-9
SUPERSEDED BY 2-1445055-8
SUPERSEDED BY 2-1445055-7
SUPERSEDED BY 2-1445055-6
SUPERSEDED BY 2-1445055-5
SUPERSEDED BY 2-1445055-4
SUPERSEDED BY 2-1445055-3
SUPERSEDED BY 2-1445055-2

PACKAGING	FINISH	DIM Z	DIM V	DIM W	NO. OF POSN	PART NUMBER
THIS DRAWING IS A CONTROLLED DOCUMENT.						
DIMENSIONS: mm		TOLERANCES UNLESS OTHERWISE SPECIFIED:		DWN J. ROOT 09OCT2000		
0 PLC ±		1 PLC ±		CHK K. WHITAKER 17-APR-2001		
2 PLC ±0.13		3 PLC ±		APVD C. JONES 17-APR-2001		
4 PLC ±		ANGLES ±		NAME		
FINISH		SEE TABLE		STE TE Connectivity		
MATERIAL		SEE TABLE		RIGHT ANGLE SURFACE MNT HEADER ASSY, 0.76 MIC GOLD CONTACTS, W/SURF MOUNT, HOLDDOWNS, SGL ROW, MICRO MATE-N-LOK™		
CUSTOMER DRAWING		SCALE 5:1		SHEET 1 OF 1		REV C2

# Mouser Electronics

Authorized Distributor

Click to View Pricing, Inventory, Delivery & Lifecycle Information:

[TE Connectivity:](#)

[2-1445100-9](#)