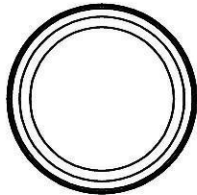
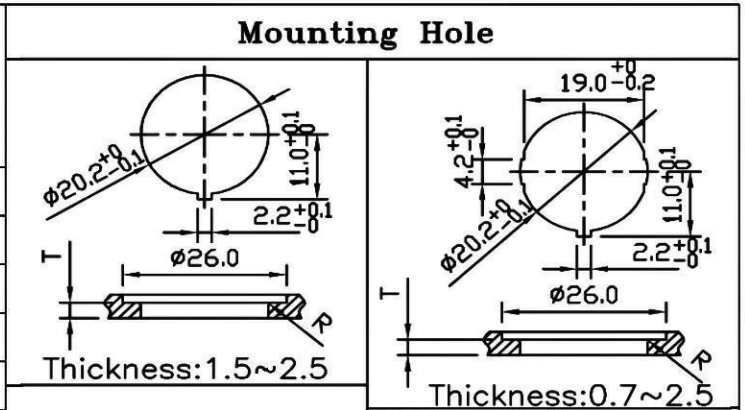
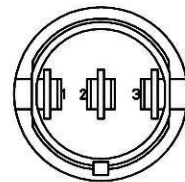
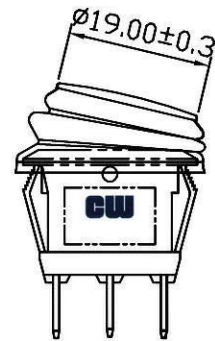
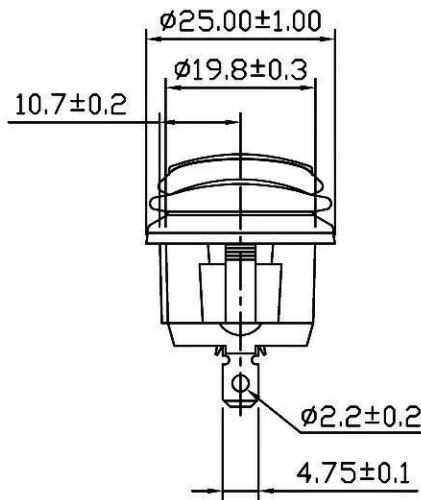
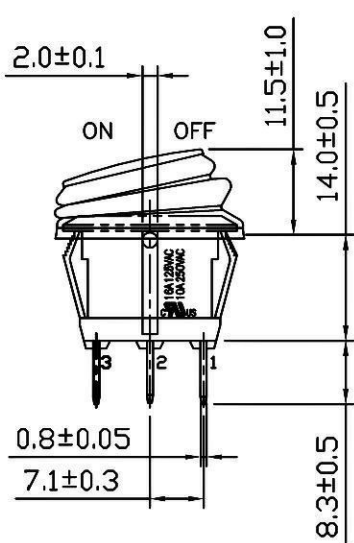
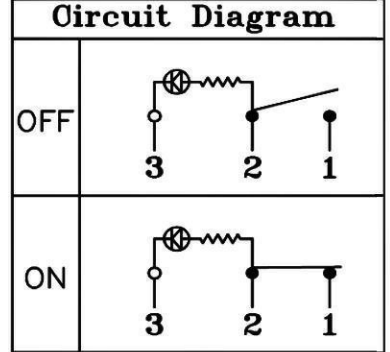


THIS INFORMATION IS CONFIDENTIAL AND PROPRIETARY TO CW INDUSTRIES INCORPORATED AND ITS AFFILIATES. IT MAY NOT BE DISCLOSED TO ANYONE, OTHER THAN CW INDUSTRIES PERSONNEL, WITHOUT WRITTEN AUTHORIZATION FROM CW INDUSTRIES INCORPORATED, SOUTHAMPTON, PENNSYLVANIA USA.

<b>Rating</b>	<b>20A 12VDC</b>
<b>Contact Resistance</b>	<b>50m ohm Max.</b>
<b>Insulation Resistance</b>	<b>DC 500V 100M ohm Min.</b>
<b>Dielectric Strength</b>	<b>AC 1500V 1 minute</b>
<b>Operation Temp.</b>	<b>- 20°C ~ 85°C</b>
<b>Switch Function</b>	<b>3P SPST ON-OFF (LED)</b>



**\*MATERIAL:**  
 Frame: Nylon 66 (94-V2), Black  
 Actuator: PC (94-V2), Red  
 Waterproof rubber: Silicone  
 Terminals: Silver plated, Copper alloy  
 Hot Stamping: None  
 Waterproof: IP65



RoHS Compliant

**CW INDUSTRIES**  
 Southampton, Pa. 18966  
 Tel 215.355.7080/www.cwind.com

Date Drawn: 12/25/08

Rev. 0

Unit: mm

Checked By: GG

Title: **ROCKER SWITCH**

CW P/N: **GRB112B802BR1**

# Mouser Electronics

Authorized Distributor

Click to View Pricing, Inventory, Delivery & Lifecycle Information:

[CW Industries:](#)

[GRB112B802BR1](#)