

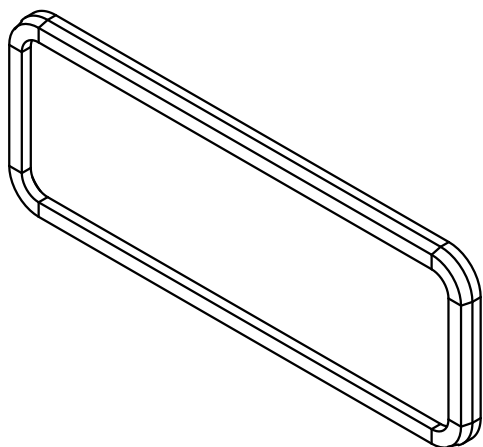
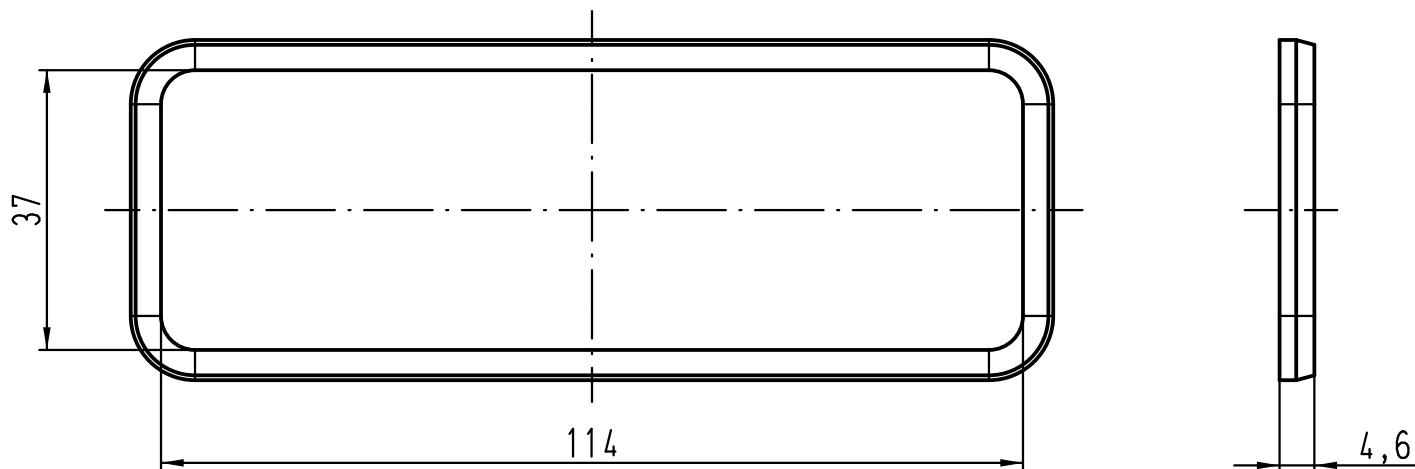
1 2 3 4 5 6

A

B

C

D



| | | | | | | | | |
|---|------|------|--------------------------------|----------|------|---|--------------------------------|--|
| All Dimensions in mm Original Size DIN A 4 | | | Techn. Character. | | | Nicht tolerierte Maße! Free size tolerances | | |
| | | | | Dat. | Name | Maßstab/ Scale 1:1 | L-Dichtung / L-seal Han 24B | |
| | | | Detail. | 14.11.11 | Ho | | | |
| | | | Insp. | | Sch | | | |
| | | | Stand. | | | | | |
| A | | | HARTING Electric GmbH & Co. KG | | | | TB 09 30 000 9933 | |
| Mod. | Dat. | Name | D-32339 Espelkamp | | | | | |

Mouser Electronics

Authorized Distributor

Click to View Pricing, Inventory, Delivery & Lifecycle Information:

[HARTING:](#)

[09300009933](#)