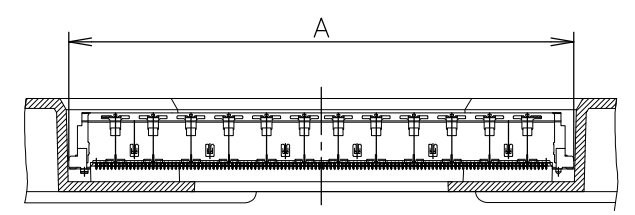
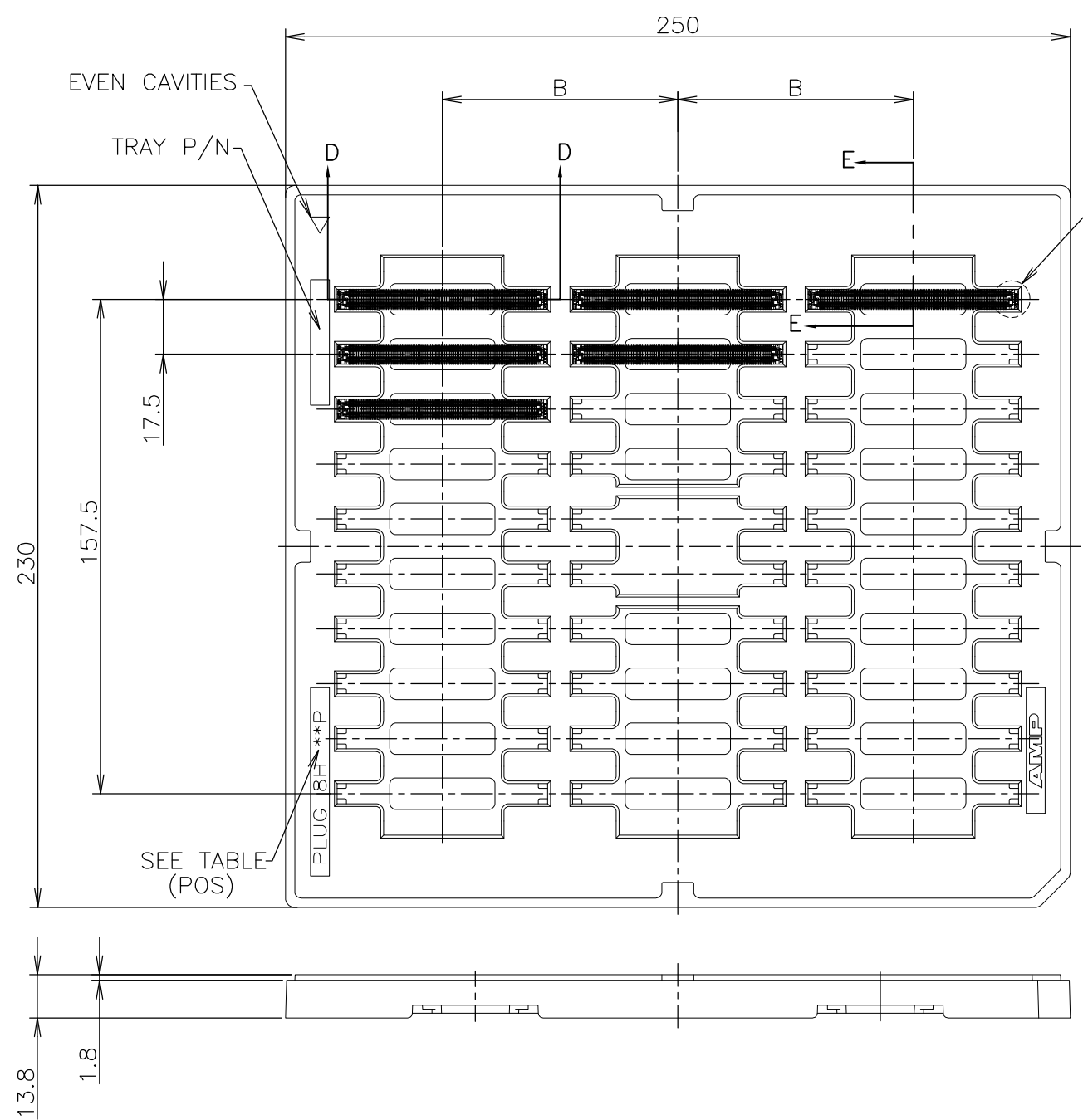
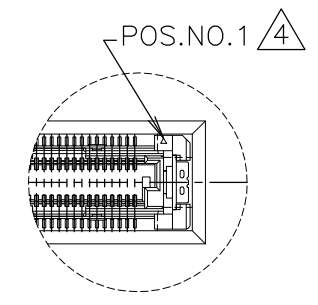


THIS DRAWING IS UNPUBLISHED. RELEASED FOR PUBLICATION .2005.  
 © COPYRIGHT 2005 By - ALL RIGHTS RESERVED.

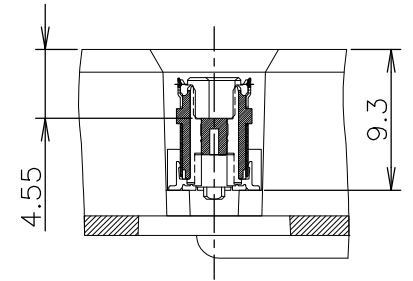
LOC	DIST	REVISIONS			
P	LTR	DESCRIPTION	DATE	DWN	APVD
J	/				
	D	REVISED PER ECR-13-010724	05JUL2013	I.T	S.Y



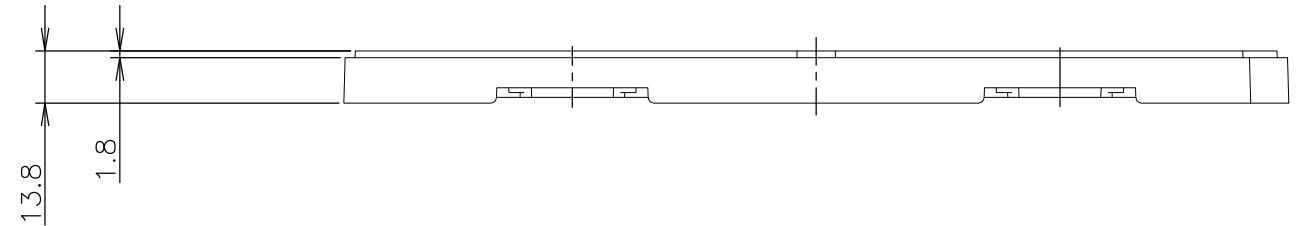
SECT. D-D  
(SCALE 2:1)  
(CONNECTOR NOT SECTION)



DETAIL C  
(SCALE 2:1)



SECT. E-E  
(SCALE 2:1)



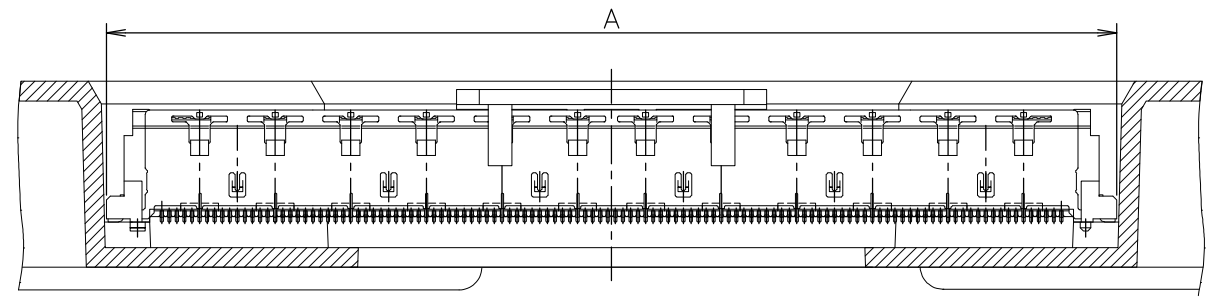
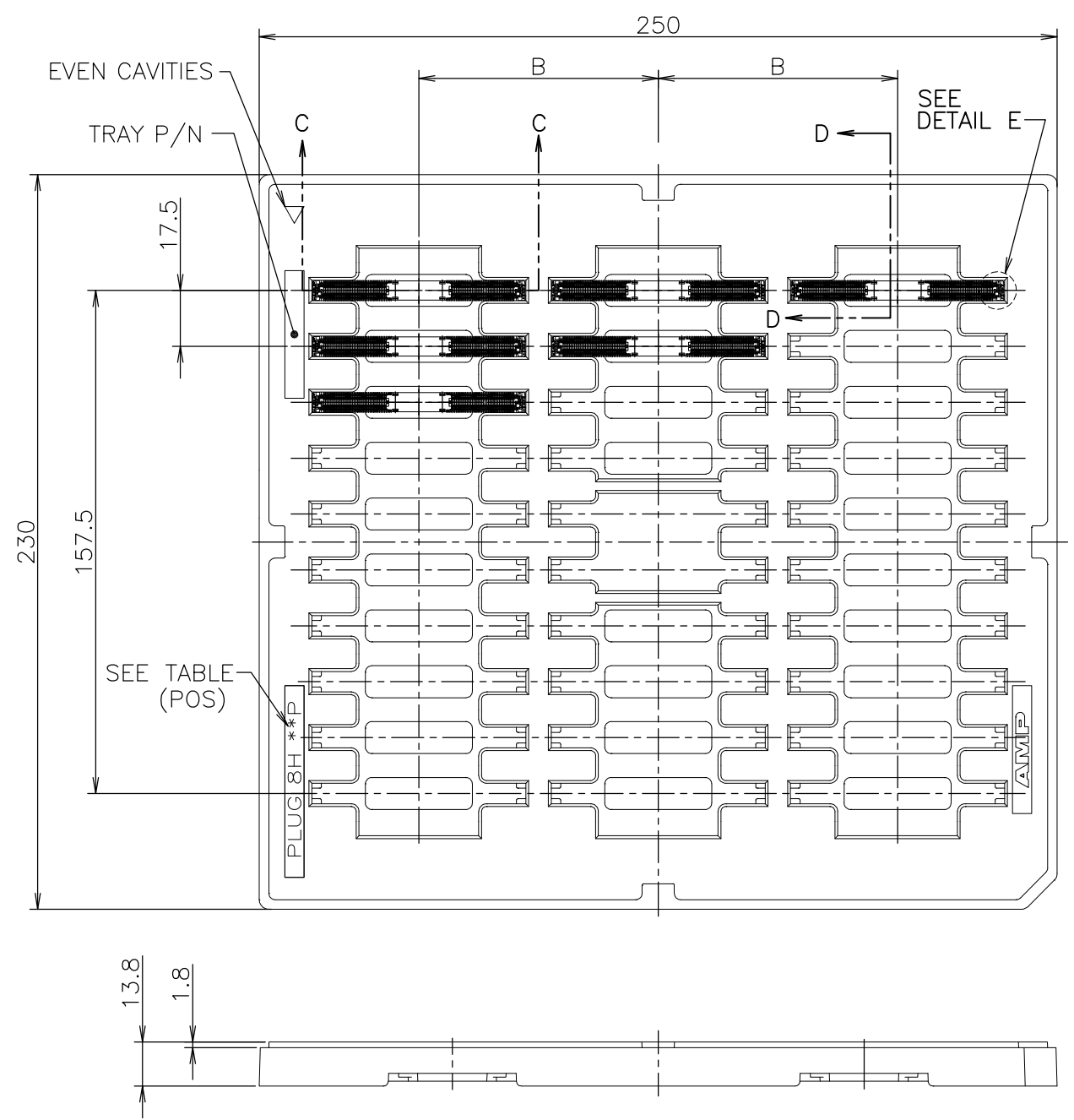
WITHOUT PICK UP CAP

YES/4	3	30	75	61.8	220	8-6318491-6
NO	3	30	75	61.8	220	3-6318491-6
SEALANT	ROW	QTY	B	A	POS.	PART NO.

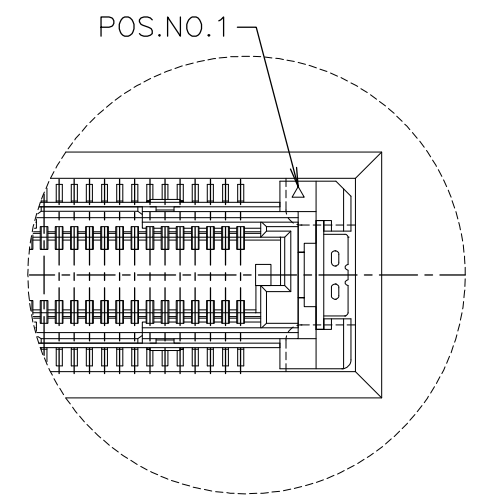
THIS DRAWING IS A CONTROLLED DOCUMENT.		DWN S.CHIEN 26SEP05	TE Connectivity			
DIMENSIONS: MM		CHK T.FUTATSUGI 26SEP05				
TOLERANCES UNLESS OTHERWISE SPECIFIED:		APVD W.KODAMA 26SEP05	NAME			
0 PLC ± 0.3		PRODUCT SPEC	HARD TRAY ASSY			
1 PLC ± 0.3		APPLICATION SPEC	FH 0.5BTB CONNECTOR 220POS			
2 PLC ± 0.3		108-5560	PLUG 8H WITH GROUND PLATE			
3 PLC ± 0.3			SIZE	CAGE CODE	DRAWING NO	RESTRICTED TO
4 PLC ± 0.3			A3	00779	C-6318491	
ANGLES ± 3'		WEIGHT	CUSTOMER DRAWING			
FINISH		SCALE 1:2	SHEET 1 OF 4		REV D	

THIS DRAWING IS UNPUBLISHED. RELEASED FOR PUBLICATION .2005.  
 © COPYRIGHT 2005 By - ALL RIGHTS RESERVED.

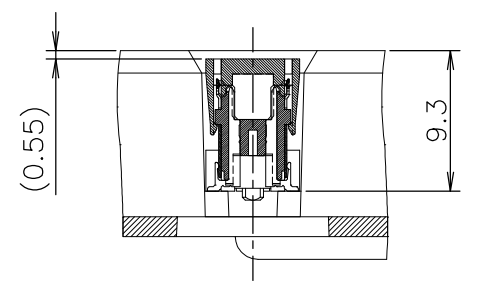
LOC	DIST	REVISIONS					
		P	LTR	DESCRIPTION	DATE	DWN	APVD
J	-	-	-	SEE SHEET 1	-	-	-



SECT. C-C  
(SCALE 2:1)




DETAIL E  
(SCALE 4:1)



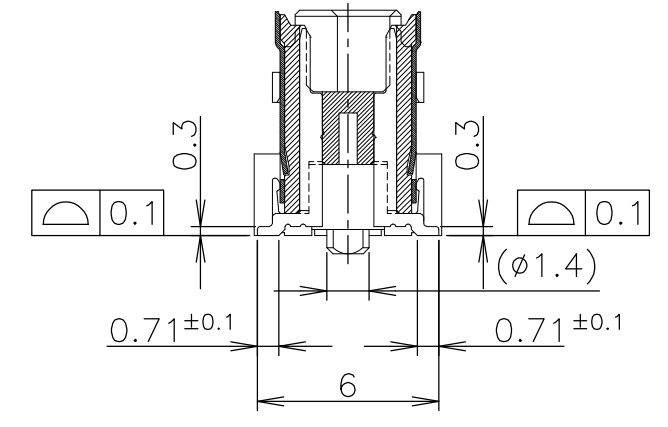
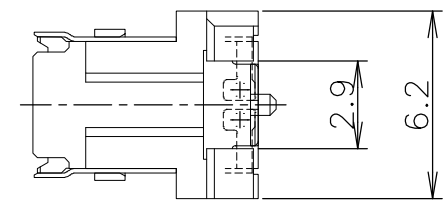
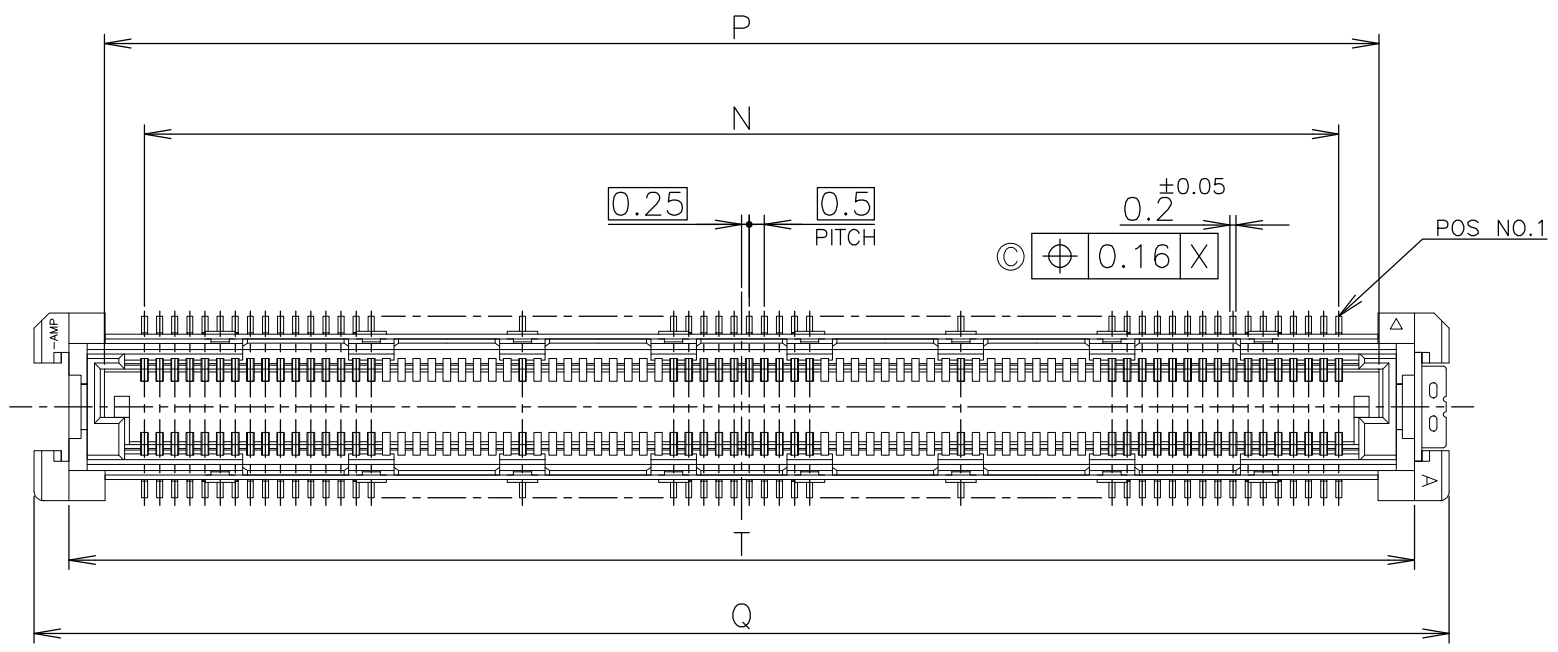
SECT. D-D  
(SCALE 2:1)

WITH PICK UP CAP

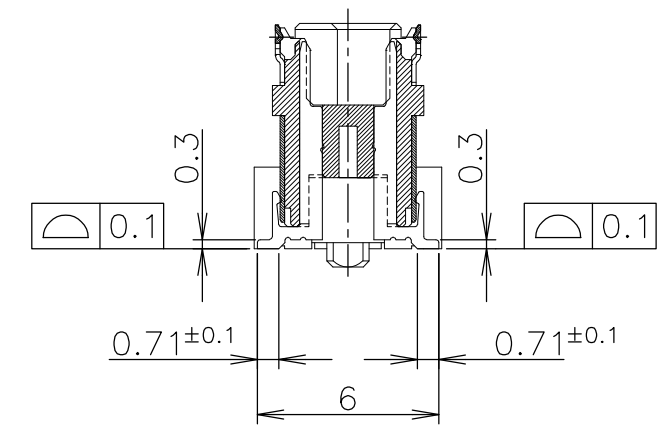
THIS DRAWING IS A CONTROLLED DOCUMENT.		DWN S.CH IEN 26SEP05	 TE Connectivity <b>HARD TRAY ASSY</b> FH 0.5BTB CONNECTOR 220POS PLUG 8H WITH GROUND PLATE				
DIMENSIONS: MM		CHK T.FUTATSUGI 26SEP05					NAME
TOLERANCES UNLESS OTHERWISE SPECIFIED:		APVD W.KODAMA 26SEP05					PRODUCT SPEC
0 PLC ± 0.3 1 PLC ± 0.3 2 PLC ± 0.3 3 PLC ± 0.3 4 PLC ± 0.3 ANGLES ± 3°		PRODUCT SPEC					APPLICATION SPEC
MATERIAL -		FINISH -	108-5560	SIZE	CAGE CODE	DRAWING NO	RESTRICTED TO
			108-5560	A3	00779	C-6318491	
			CUSTOMER DRAWING	SCALE	1:2	SHEET	2 OF 4
						REV	D

THIS DRAWING IS UNPUBLISHED. RELEASED FOR PUBLICATION NOV , 1996.  
 © COPYRIGHT 1996 By - ALL RIGHTS RESERVED.

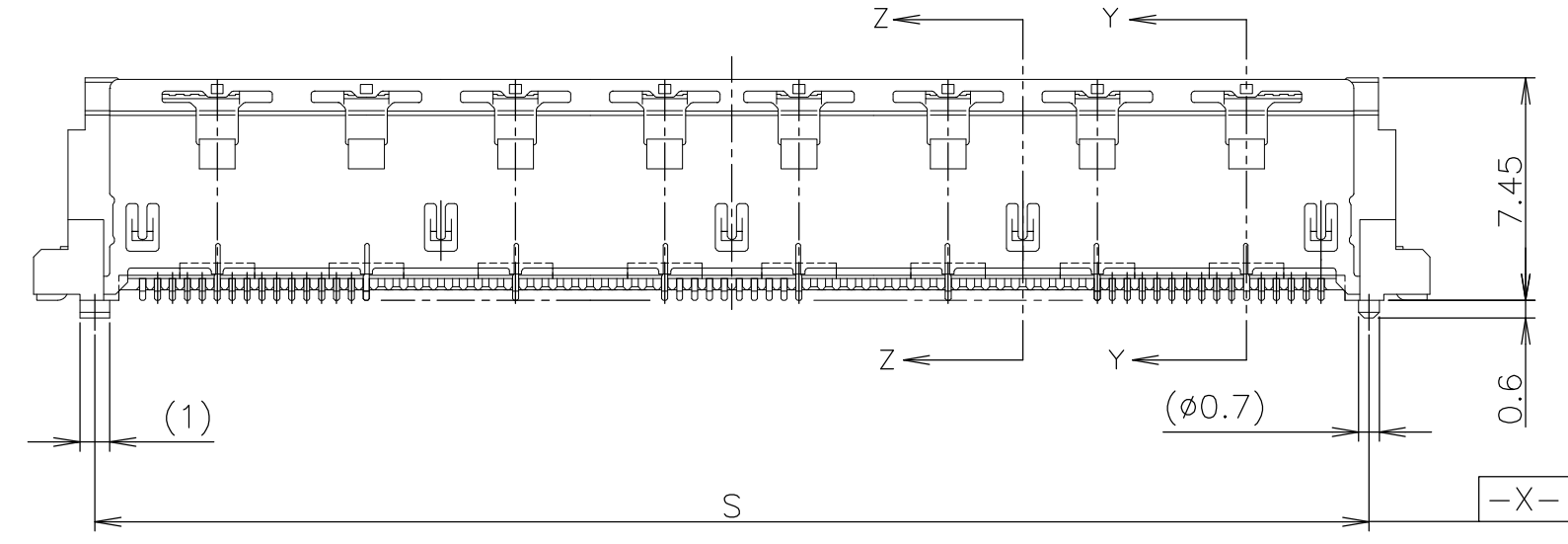
LOC	DIST	REVISIONS			
P	LTR	DESCRIPTION	DATE	DWN	APVD
		SEE SHEET 1	-	-	-



SECT. Z-Z  
(SIGNAL POSITION)



SECT. Y-Y  
(GROUND POSITION)



- NOTE:**
- ① MATERIAL ; HOUSING : HIGH TEMP THERMO PLASTIC UL94V-0  
CONTACT : COPPER ALLOY  
SOLDER PEG : COPPER ALLOY
  - ② FINISH ; SIGNAL CONTACT : UNDER PL Ni 0.0013mm MIN ALL OVER.  
CONTACT AREA 0.0002mm MIN Au PL.  
SOLDERING AREA 0.001mm MIN TIN PL.  
GROUND CONTACT : UNDER PL Ni 0.0013mm MIN ALL OVER.  
CONTACT AREA 0.0002mm MIN Au PL.  
SOLDERING AREA 0.001mm MIN TIN PL.  
SOLDER PEG : 0.001mm MIN TIN PL. OVER  
0.0013mm MIN Ni PL ALL OVER.
  - ③ THIS POSITION IS GROUND CIRCUIT.
  - ④ THIS PRODUCT WAS COATED BY FLUX-PENETRATION-INHIAITING AGENT.

59.5	57.7	61.8	57.1	54.5	220	BLACK	9-6318491-6
59.5	57.7	61.8	57.1	54.5	220	BLACK	8-6318491-6
59.5	57.7	61.8	57.1	54.5	220	BLACK	3-6318491-6
T	S	Q	P	N	POS.	HSG COLOR	PART NO.

THIS DRAWING IS A CONTROLLED DOCUMENT.		DWN		TE Connectivity			
DIMENSIONS: MM		TOLERANCES UNLESS OTHERWISE SPECIFIED:					
		0 PLC ± 0.3 1 PLC ± 0.3 2 PLC ± 0.3 3 PLC ± 0.3 4 PLC ± 0.3 ANGLES ± 3°		APVD		HARD TRAY ASSY	
MATERIAL ①		FINISH ②		PRODUCT SPEC		FH 0.5BTB CONNECTOR 220POS	
				APPLICATION SPEC		PLUG 8H WITH GROUND PLATE	
				WEIGHT		RESTRICTED TO	
				CUSTOMER DRAWING		SCALE 4:1 SHEET 3 OF 4 REV D	
				SIZE A3 CAGE CODE 00779 DRAWING NO C-6318491			

4

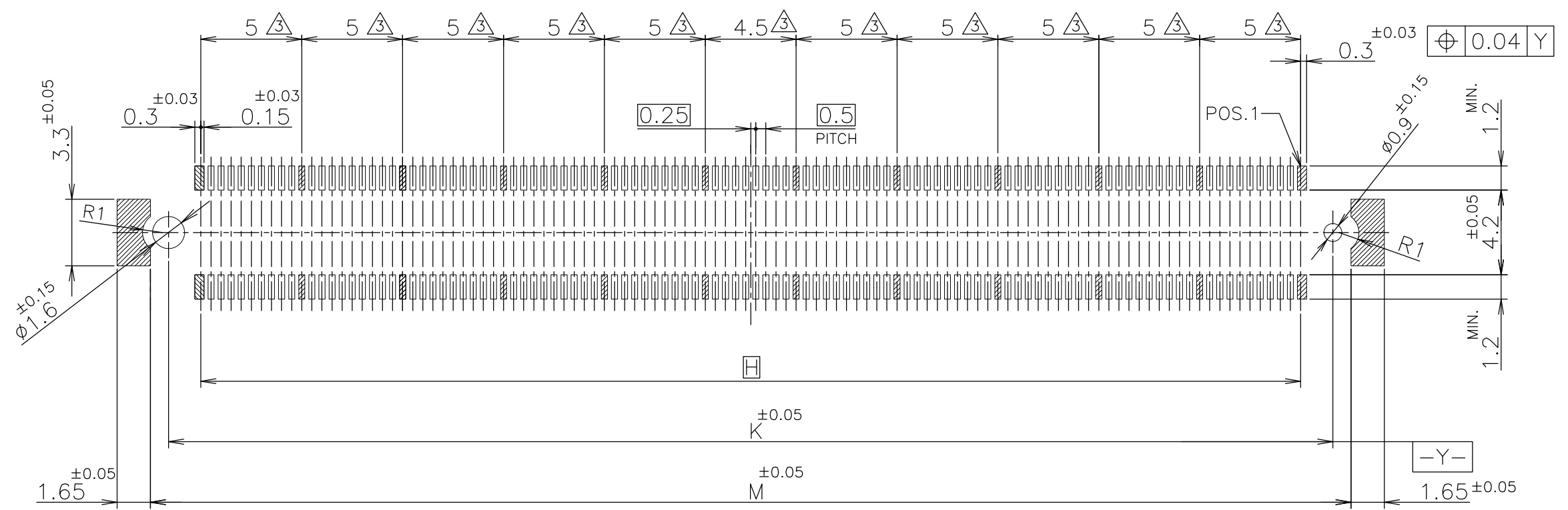
3

2

1

THIS DRAWING IS UNPUBLISHED. RELEASED FOR PUBLICATION NOV , 1996.  
 © COPYRIGHT 1996 By - ALL RIGHTS RESERVED.

LOC	DIST	REVISIONS			
P	LTR	DESCRIPTION	DATE	DWN	APVD
	-	SEE SHEET 1	-	-	-



REFERENCE P.C.BOARD LAYOUT

59.5	57.7	54.5	220	9-6318491-6
59.5	57.7	54.5	220	8-6318491-6
59.5	57.7	54.5	220	3-6318491-6
M	K	H	POS	PART NO.

THIS DRAWING IS A CONTROLLED DOCUMENT.		DWN	TE Connectivity NAME HARD TRAY ASSY FH 0.5BTB CONNECTOR 220POS PLUG 8H WITH GROUND PLATE				
DIMENSIONS: MM		CHK					
		APVD					
TOLERANCES UNLESS OTHERWISE SPECIFIED: 0 PLC ± 0.3 1 PLC ± 0.3 2 PLC ± 0.3 3 PLC ± 0.3 4 PLC ± 0.3 ANGLES ± 3°		PRODUCT SPEC					
MATERIAL	FINISH	APVD	APPLICATION SPEC	SIZE	CAGE CODE	DRAWING NO	RESTRICTED TO
1	2	WEIGHT	CUSTOMER DRAWING	A3	00779	C-6318491	
			SCALE	SHEET	REV		
			4:1	4 OF 4	D		

# Mouser Electronics

Authorized Distributor

Click to View Pricing, Inventory, Delivery & Lifecycle Information:

[TE Connectivity:](#)

[9-6318491-6](#)