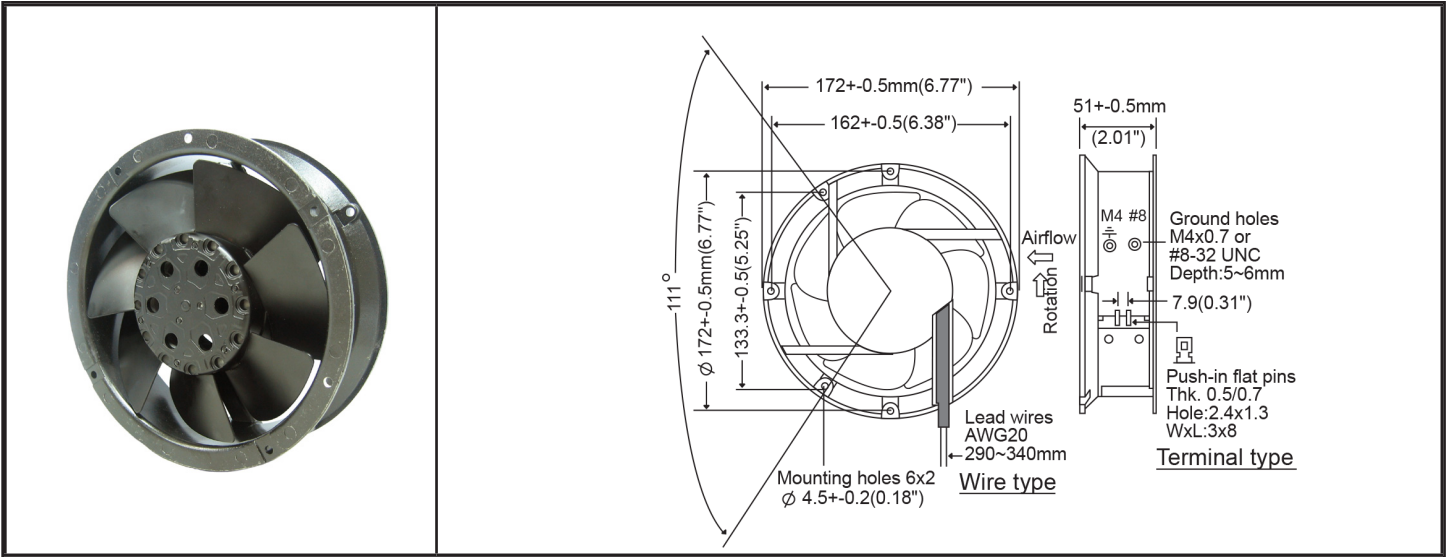


OA172AP Metal Series



AC - Harsh Environment 172 x 51mm (6.7" x 2.0")



Frame	Aluminum Die-cast	Notes
Impeller	Metal alloy	Date: 050113
Connection *	Lead wires or Terminal	Environmental Protection: IP55
Motor	AC Shaded pole, Thermal protection	Storage Temp: -40C ~ +100C
Bearing System	Dual Ball bearing	Weight: 1350g (2.98 lbs)
Insulation Resistance	>100MOhm at 500VDC	Available AC voltages by special order: 12, 24, 28, 38, 42, 48, 440, 480. Dual speed also available. Call for information.
Dielectric Strength	> 60 seconds at 1500VAC	
Operating Temp Range	-30C ~ +80C (non-condensing)	* Specify configuration: TB = Terminal, Ball bearing WB = Wire leads, Ball bearing
Life Expectancy	50000 hours (55C)	



Model No.	Speed (RPM)	Airflow (CFM)	Noise	Volts AC	Voltage Range AC	Watts	Max. Static Pressure ("H ₂ O)	Curves
OA172AP-11-1 * 1855	2750 3200	190 215	59	115	100 ~ 120	47 42	0.57 0.51	2 (50Hz) 1 (60Hz)
OA172AP-11-2 * 1855	2350 2300	162 155	48	115	100 ~ 120	35 32	0.46 0.37	4 (50Hz) 3 (60Hz)
OA172AP-11-3 * 1855	1500 1600	105 110	36	115	100 ~ 120	23 20	0.33 0.27	6 (50Hz) 5 (60Hz)
OA172AP-22-1 * 1855	2750 3200	190 215	59	230	200 ~ 240	47 42	0.57 0.51	2 (50Hz) 1 (60Hz)
OA172AP-22-2 * 1855	2350 2300	162 155	48	230	200 ~ 240	35 32	0.46 0.37	4 (50Hz) 3 (60Hz)
OA172AP-22-3 * 1855	1500 1600	105 110	36	230	200 ~ 240	23 20	0.33 0.27	6 (50Hz) 5 (60Hz)

Mouser Electronics

Authorized Distributor

Click to View Pricing, Inventory, Delivery & Lifecycle Information:

Orion Fans:

[OA172AP-11-1TB1855](#) [OA172AP-22-1TB1855](#) [OA172AP-11-1WB1855](#) [OA172AP-22-1WB1855](#) [OA172AP-11-3TB1855](#) [OA172AP-22-3WB1855](#) [OA172AP-11-2WB1855](#) [OA172AP-11-2TB1855](#) [OA172AP-22-2WB1855](#) [OA172AP-22-3TB1855](#) [OA172AP-11-3WB1855](#) [OA172AP-22-2TB1855](#)