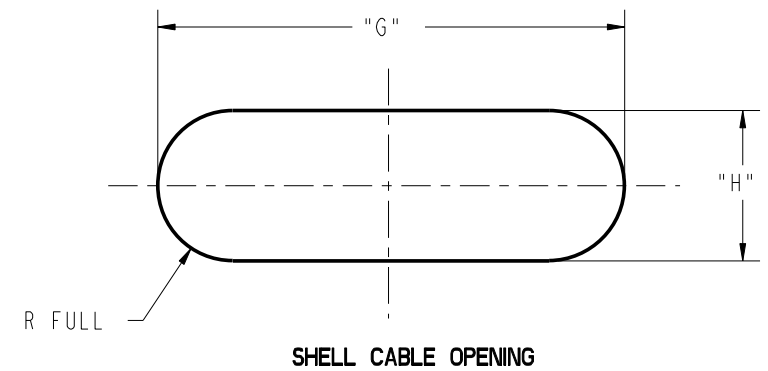
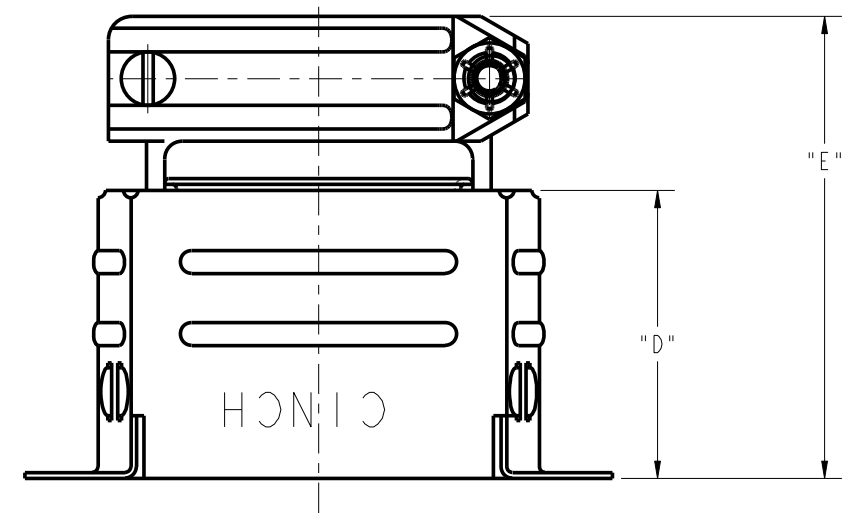
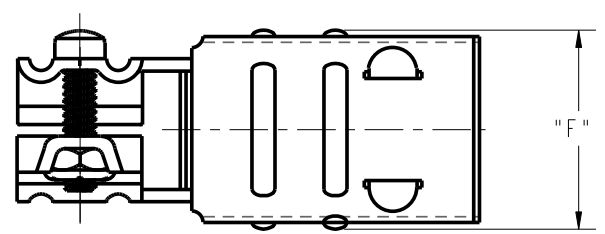
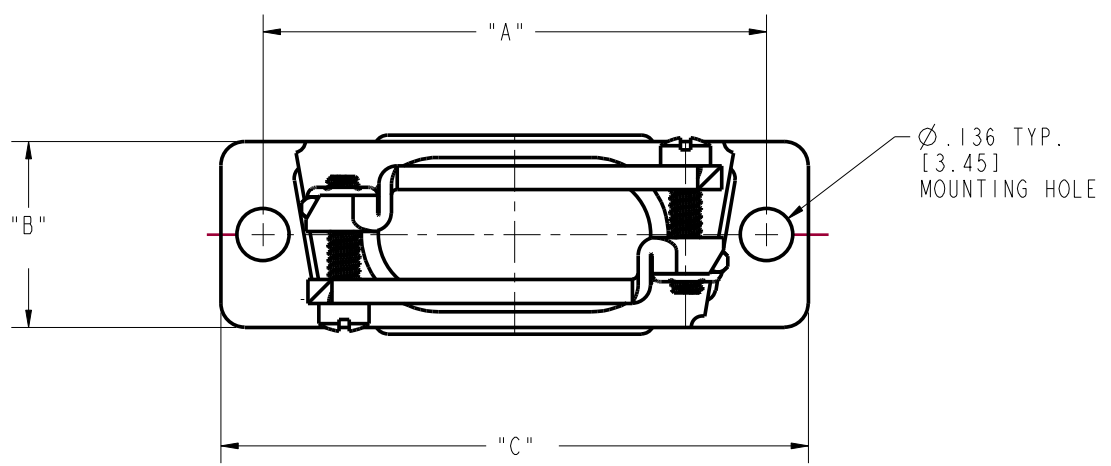


DRAWING REVISIONS			
REV	DOCUMENT	APP	DATE
A	DO 05-1094		



- NOTES:
- MATERIALS:
    - SHELL: STEEL, PLATING ZINC WITH CLEAR CHROMATE.
    - CLAMP: STEEL, PLATING ZINC WITH CLEAR CHROMATE.
    - SCREW: STEEL, PLATING ZINC WITH CLEAR CHROMATE.
    - NUT: BRASS OR STEEL, PLATING ZINC WITH CLEAR CHROMATE.
  - DIMENSIONS IN [ ] ARE IN MILLIMETERS.

CATALOG NUMBER	PART NUMBER	DIM "A"	DIM "B"	DIM "C"	DIM "D"	DIM "E"	DIM "F"	DIM "G"	DIM "H"
DE-24657-30	702 49 09 005	.984 [24.99]	.484 [12.29]	1.203 [30.56]	.750 [19.05]	1.219 [30.96]	.578 [14.68]	$\varnothing .375$ HOLE [9.53]	.312 [7.92]
DA-24658-31	702 49 15 005	1.312 [33.32]		1.531 [38.89]		1.250 [31.75]		.719 [18.26]	
DB-24659-32	702 49 25 005	1.852 [47.04]		2.078 [52.78]	1.531 [38.89]	1.000 [25.40]			
DC-24660-33	702 49 37 005	2.500 [63.50]		2.719 [69.06]	1.375 [34.93]				
DD-24661-34	702 49 50 005	2.406 [61.11]		2.625 [66.68]	1.110 [28.19]	1.656 [42.06]		.687 [17.45]	

**ROHS COMPLIANT**

UNITS	<b>ENGLISH</b>		<b>PRO/E</b>	<b>Cinch</b>	MODELED BY: V.SKUZA	
DO NOT SCALE DRAWING		DRAWN BY V.SKUZA	DATE 5/11/05	TITLE JUNCTION SHELL DEEP STRAIGHT SHELL AND CLAMP ASS'Y	1700 FINLEY RD LOMBARD, IL. 60148	
THIS DOCUMENT IS THE PROPERTY OF CINCH. NEITHER THIS DOCUMENT NOR ANY OF THE INFORMATION CONTAINED IN IT MAY BE DUPLICATED OR DISCLOSED WITHOUT PRIOR WRITTEN CONSENT OF CINCH.		DESIGN ENGINEER A.BALI	5/11/05	MATERIAL	CONTROL SPEC NUMBER	
		DESIGN ENGINEERING MGR.		MATERIAL SPEC NUMBER	FINISH	PROJECT NUMBER C14716
		MFG. ENGINEERING A.SAUSKAS	5/31/05	CAD FILE NUMBER DX-246XX-3X	DRAWING NUMBER <b>D*-246XX-3X</b>	
		QUALITY ASSURANCE A.VAZQUEZ	5/31/05	CAGE IDENT NO.   SIZE <b>71785 B</b>	SCALE 2:1	SHEET 1 OF 1

# Mouser Electronics

Authorized Distributor

Click to View Pricing, Inventory, Delivery & Lifecycle Information:

[Cinch Connectivity Solutions:](#)

[DA-24658-31](#)