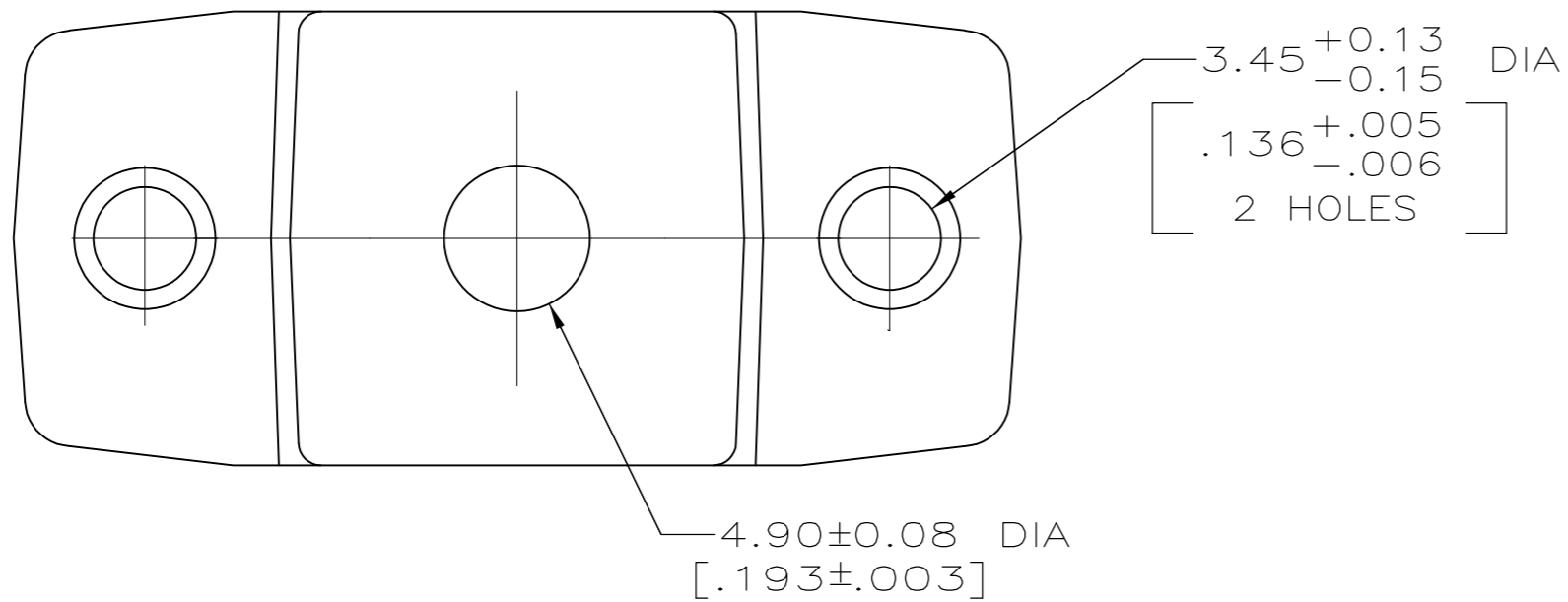
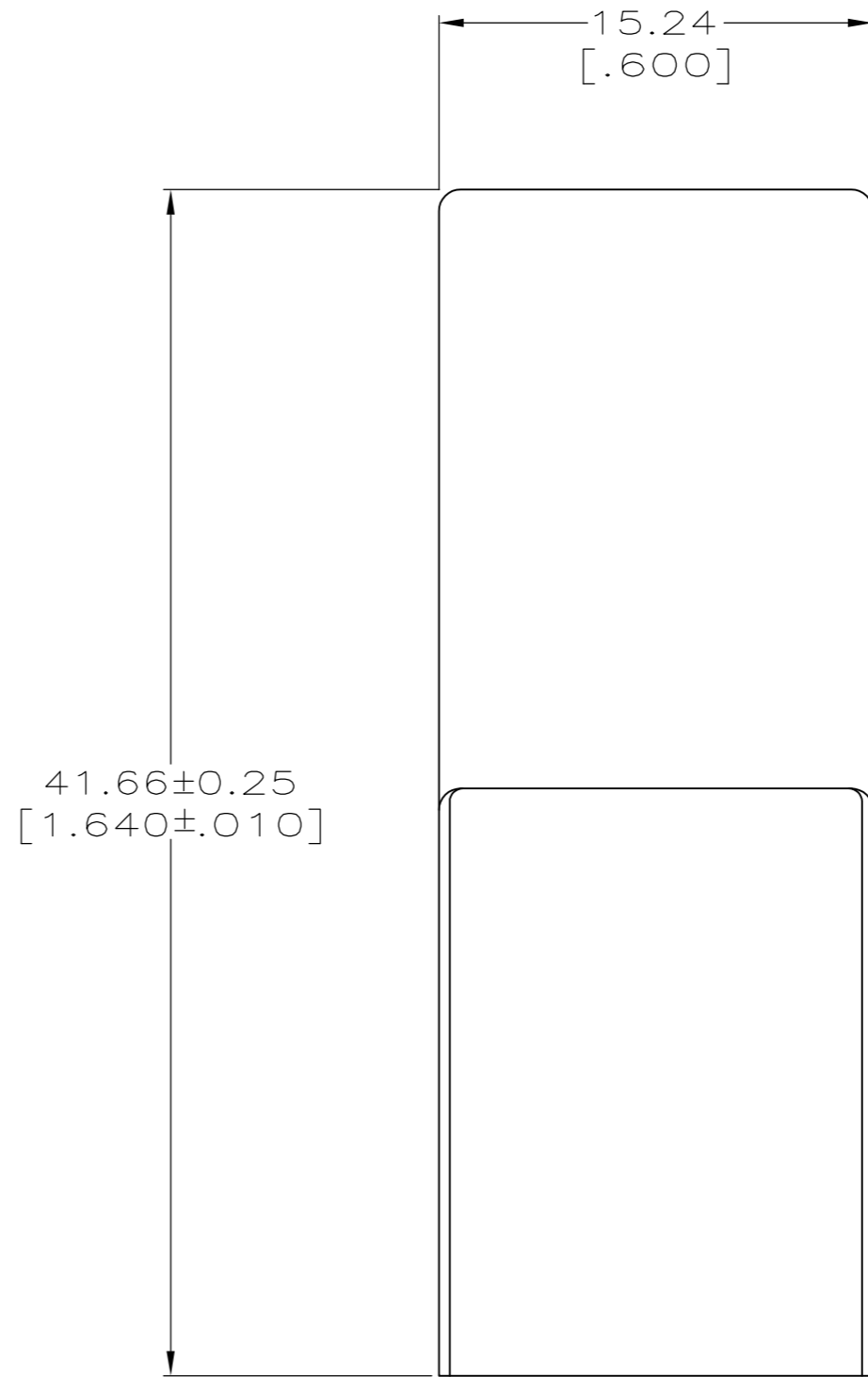
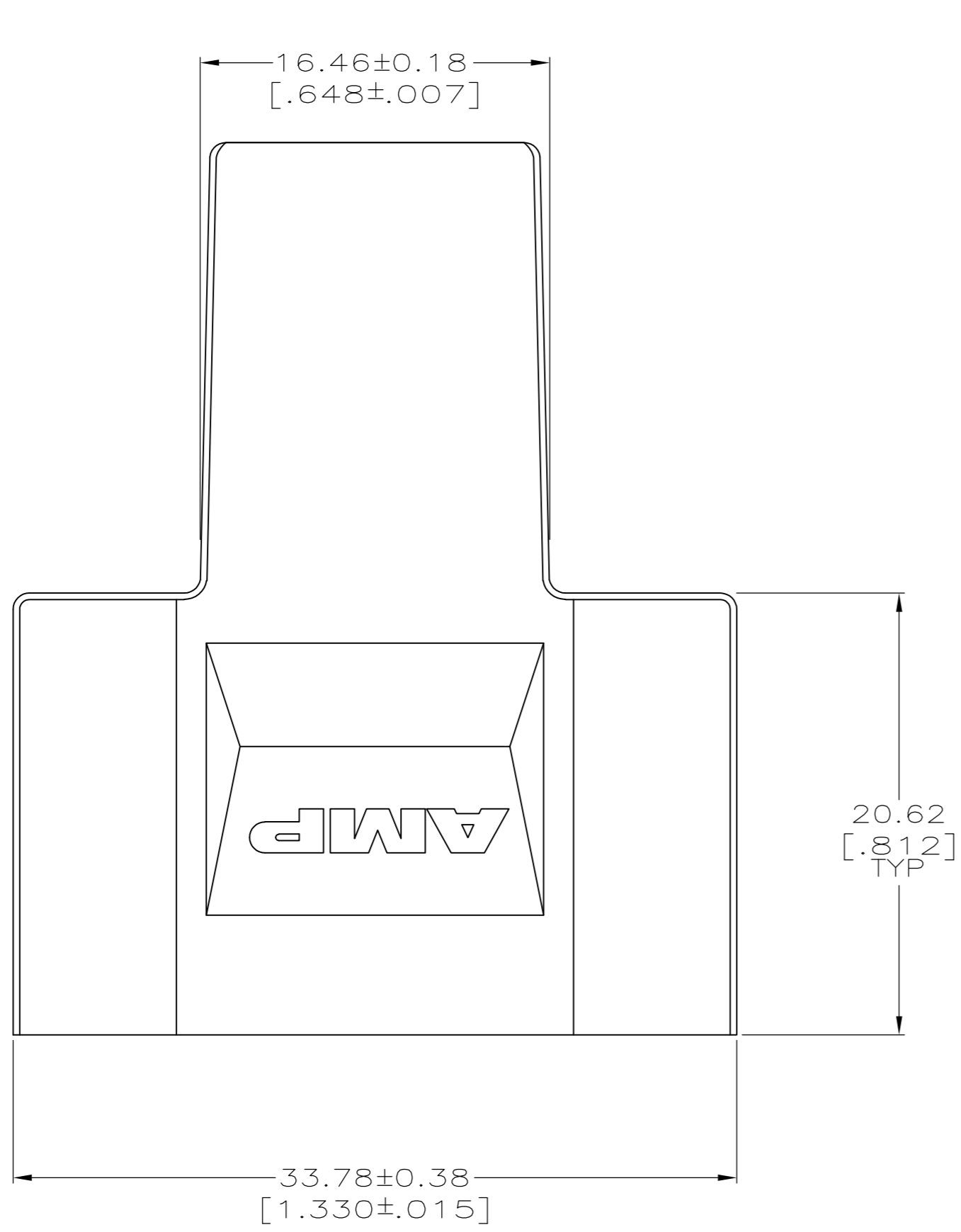


THIS DRAWING IS UNPUBLISHED. RELEASED FOR PUBLICATION
 © COPYRIGHT - By - ALL RIGHTS RESERVED.

LOC		DIST		REVISIONS			
P	LTR	DESCRIPTION		DATE	DWN	APVD	
GP	00	A3	REVISED PER ECO-12-000193	30JAN2012	CJV	CWR	



- ① MATERIAL: PVC, UL94V-0.
- ② MATERIAL: TPV, UL94V-0, HALOGEN FREE.



REVISION	DESCRIPTION	MATERIAL	COLOR	PART NUMBER
②	OBSOLETE	BLACK		747932-7
①		GREY		747932-5
①		BLACK		747932-1

THIS DRAWING IS A CONTROLLED DOCUMENT.		DWN	L.SIPE	10/19/92	
DIMENSIONS: mm [INCHES]		CHK	R.STONE	10/19/92	
TOLERANCES UNLESS OTHERWISE SPECIFIED:		APVD	J.FULPONI	10/20/92	
0 PLC ± - 1 PLC ± - 2 PLC ± 0.13 [.005] 3 PLC ± - 4 PLC ± - ANGLES ± -		PRODUCT SPEC	-	NAME	
MATERIAL SEE TABLE		FINISH	-	APPLICATION SPEC	114-40009
		WEIGHT	-	SIZE	A2
		CUSTOMER DRAWING		CAGE CODE	00779
				DRAWING NO	C=747932
				RESTRICTED TO	-
				SCALE	4:1
				SHEET	1 of 1
				REV	A3

Mouser Electronics

Authorized Distributor

Click to View Pricing, Inventory, Delivery & Lifecycle Information:

[TE Connectivity:](#)

[747932-1](#)