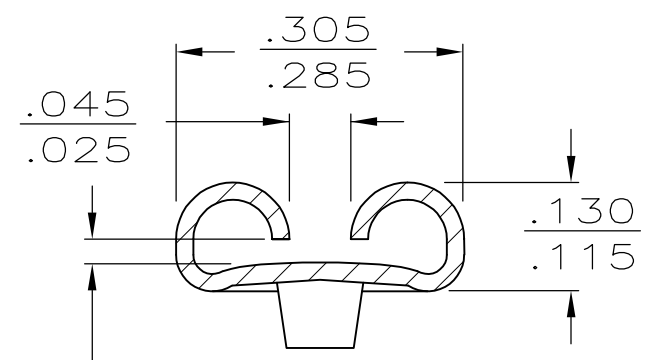
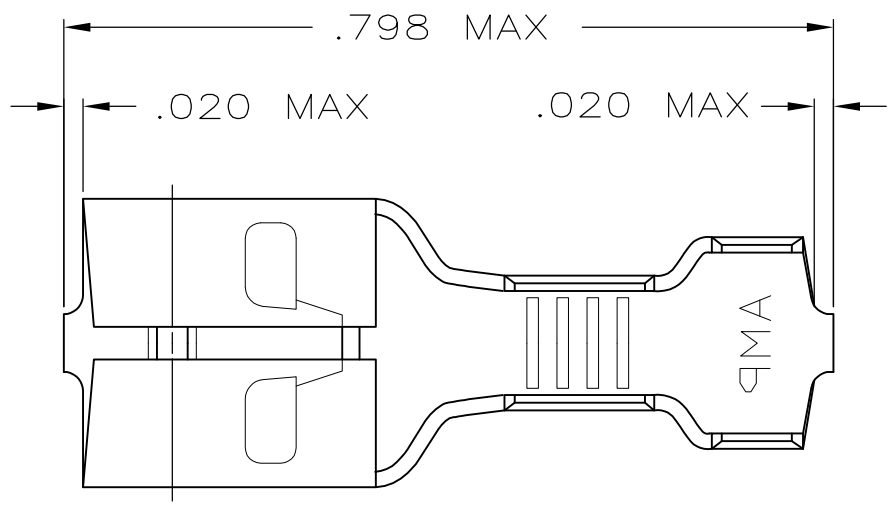


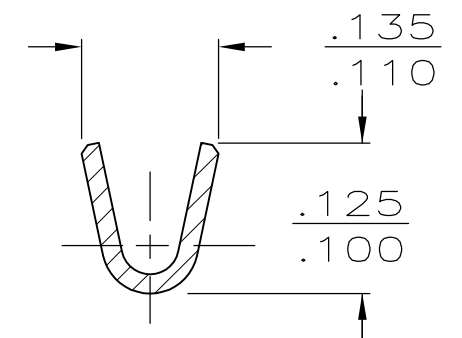
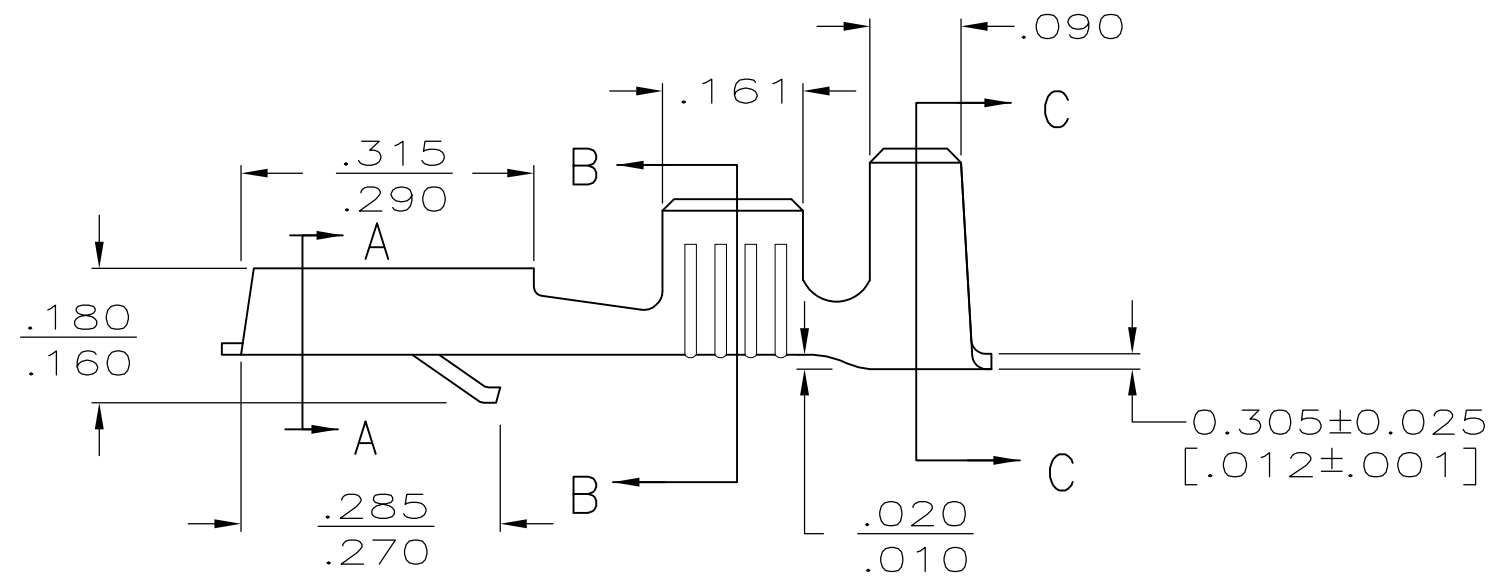
THIS DRAWING IS UNPUBLISHED. RELEASED FOR PUBLICATION  
 © COPYRIGHT BY TYCO ELECTRONICS CORPORATION. ALL RIGHTS RESERVED.

LOC	DIST	REVISIONS					
AF	50	P	LTR	DESCRIPTION	DATE	DWN	APVD
			B2	REVISED PER ECR-07-029192	10DEC07	HMR	KR

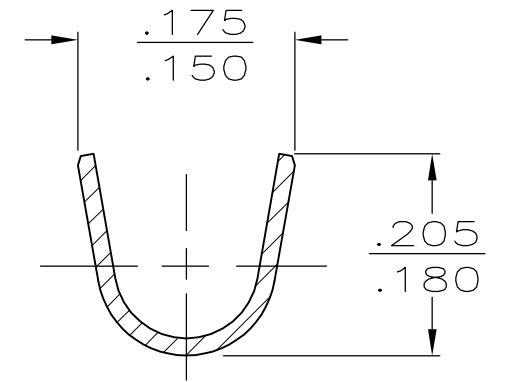
- 1 SUPPLIED IN LOOSE PIECE
- 3 WIRE SIZE IS #22-#18 AWG.
- 4 MATING TAB THK IS .032±.001
- 5 INSULATION RANGE IS .085-.125 DIA.



SECTION A-A



SECTION B-B



SECTION C-C

60838-1 (60295-2 STRIP)	60838-1
COMBINATION NUMBER	PART NO.

THIS DRAWING IS A CONTROLLED DOCUMENT.		DWN	JR RUTH	1/29/98	Tyco Electronics Corporation Harrisburg, PA 17105-3608								
DIMENSIONS: INCHES		CHK	MS FEHER	1/29/98				NAME RECEPTACLE, FASTIN-FASTON, .250 SERIES					
		TOLERANCES UNLESS OTHERWISE SPECIFIED:		APVD	J HUZVAR	1/29/98	SIZE A3				CAGE CODE 00779	DRAWING NO C-60838	RESTRICTED TO -
MATERIAL BRASS		FINISH TIN		PRODUCT SPEC -		APPLICATION SPEC -		SCALE 5:1		SHEET 1 OF 1			
				CUSTOMER DRAWING									

# Mouser Electronics

Authorized Distributor

Click to View Pricing, Inventory, Delivery & Lifecycle Information:

[TE Connectivity:](#)

[60838-1](#)