

PART NAME	ECONOGLAS DOOR	PART No.	V-9760-L & V-9763-L to 67-L	REV. DATE	2-10-10
-----------	----------------	----------	-----------------------------	-----------	---------

**MATERIAL:**

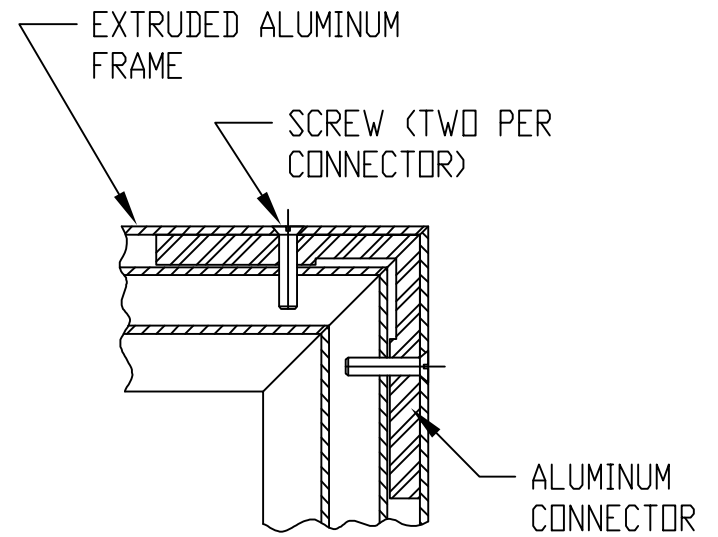
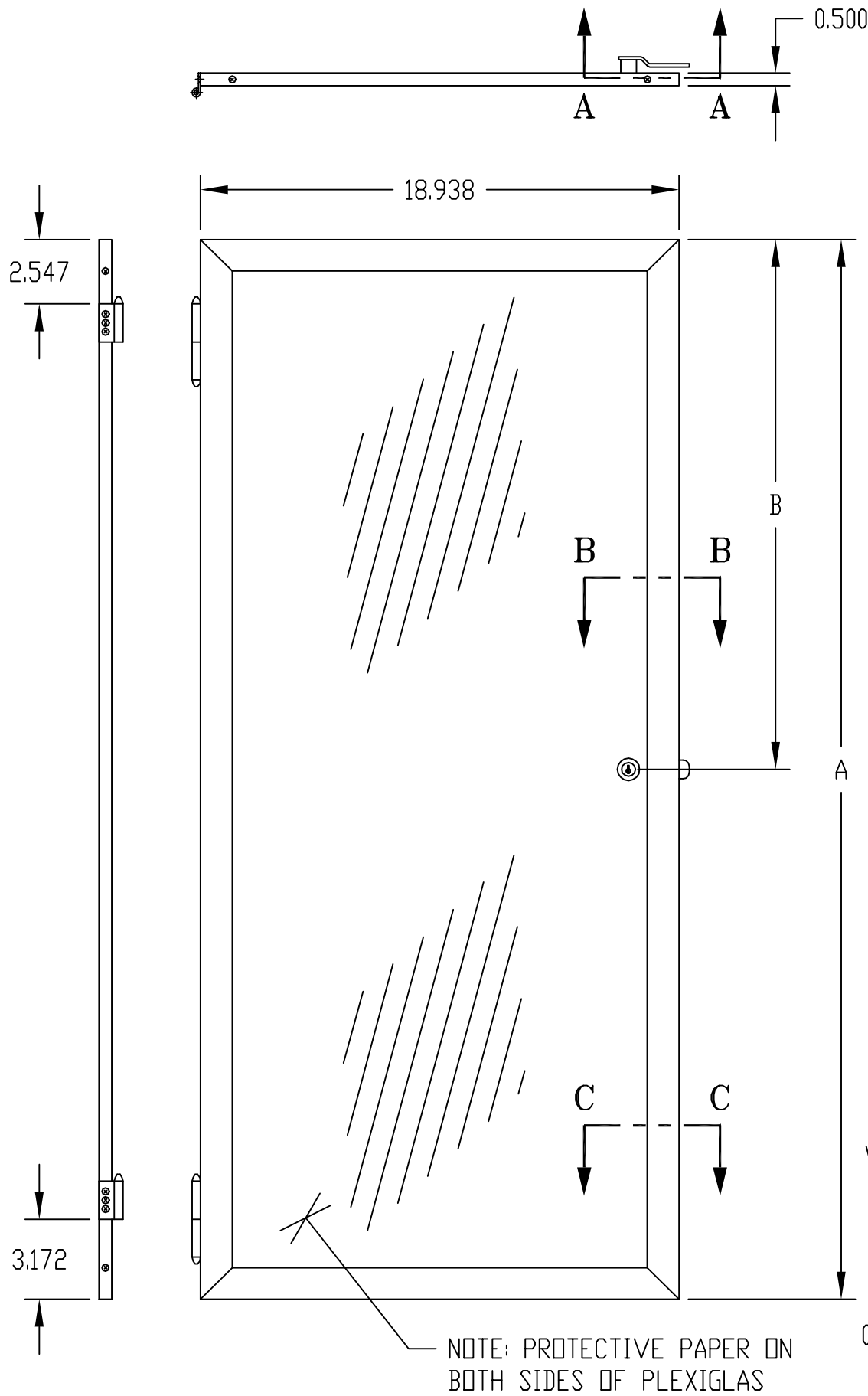
DOOR FRAME \_\_\_\_\_ ALUMINUM EXTRUSION  
 DOOR PANEL \_\_\_\_\_ 0.187 THICK PLEXIGLAS  
 WASHER \_\_\_\_\_ 20 GA. STAINLESS STEEL  
 DOOR STOPS \_\_\_\_\_ 16 GA. STEEL  
 HINGES \_\_\_\_\_ 14 GA. STEEL  
 STRIKER \_\_\_\_\_ 11 GA. STAINLESS STEEL

**FINISH:**

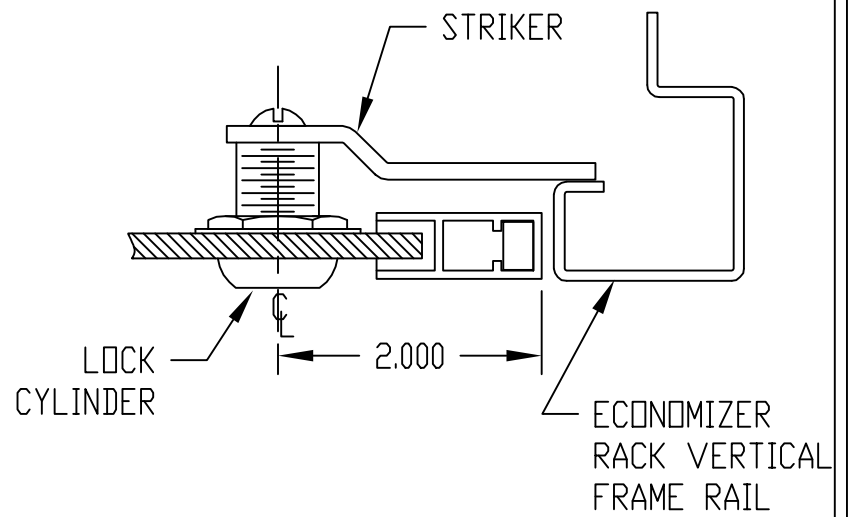
DOOR FRAME \_\_\_\_\_ CLEAR ANODIZED  
 DOOR PANEL \_\_\_\_\_ SMOKE GRAY  
 STRIKER, WASHER \_\_\_\_\_ NATURAL  
 DOOR STOPS \_\_\_\_\_ SMOOTH BLACK  
 HINGES \_\_\_\_\_ METALLIC GRAY

**DOOR:**

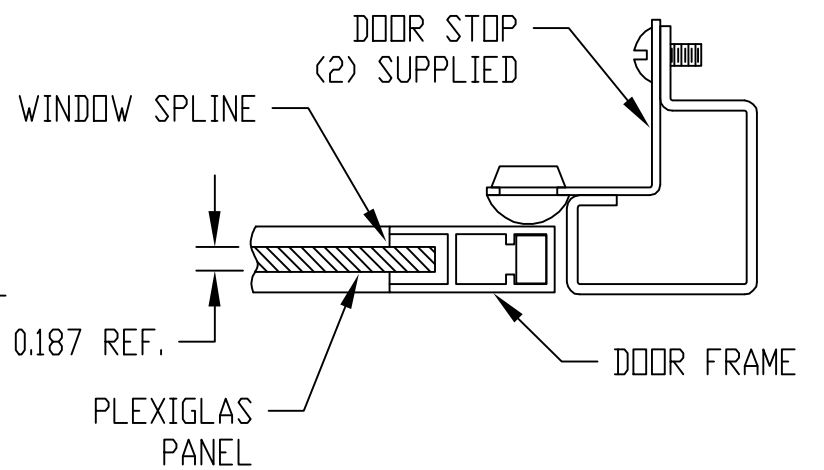
- CLEARS PANEL SPACE WHEN OPENED 90° OR MORE
- IS HELD CLOSED WITH LOCK
- FITS ECONOMIZER UPRIGHT CABINET RACKS AND CLASSIC II CABINET RACKS



**SECTION "A-A"**



**SECTION "B-B"**



**SECTION "C-C"**

PART NO. LOCKING	HEIGHT A	B	RACK VERTICAL PANEL SPACE
V-9760-L	20.938	10.469	21.000
V-9763-L	41.938	20.969	42.000
V-9764-L	52.438	26.219	52.500
V-9765-L	61.188	30.594	61.250
V-9766-L	69.938	34.969	70.000
V-9767-L	78.688	39.344	78.750

# Mouser Electronics

Authorized Distributor

Click to View Pricing, Inventory, Delivery & Lifecycle Information:

[Bud Industries:](#)

[V-9763-L](#) [V-9767-L](#) [V-9760-L](#) [V-9764-L](#) [V-9765-L](#) [V-9766-L](#)