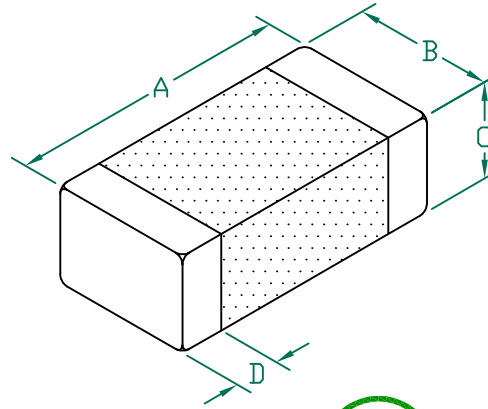


HI1206N800R-10

UNCONTROLLED DOCUMENT

PHYSICAL DIMENSIONS:

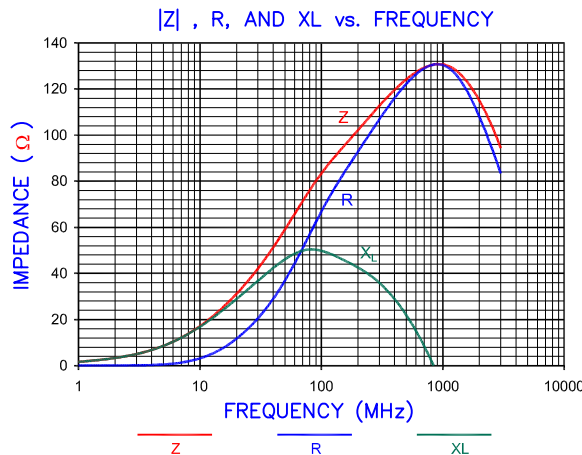
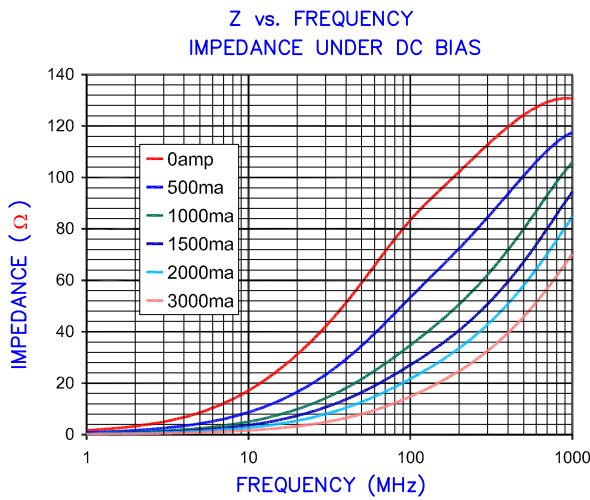
| | | |
|---|-------------|---------------|
| A | 3.20 [.126] | + 0.20 [.008] |
| B | 1.60 [.063] | + 0.20 [.008] |
| C | 1.10 [.043] | + 0.20 [.008] |
| D | 0.51 [.020] | + 0.25 [.010] |



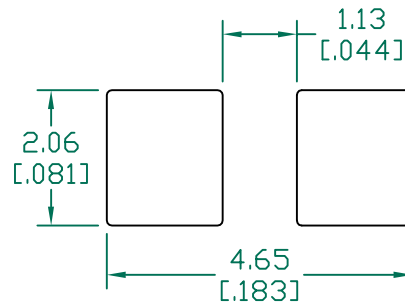
| ELECTRICAL CHARACTERISTICS: | | |
|-----------------------------|------------|---------------|
| Z @ 100MHz (Ω) | DCR (Ω) | Rated Current |
| Nominal | 80 | |
| Minimum | 60 | |
| Maximum | 100 | 0.035 3000 mA |

NOTES: UNLESS OTHERWISE SPECIFIED

1. TAPED AND REELED per CURRENT EIA SPECIFICATIONS 7" REELS, 3000 PCS/REEL.
2. TERMINATION FINISH IS 100% TIN.
3. COMPONENTS SHOULD BE ADEQUATELY PREHEATED BEFORE SOLDERING.
4. OPERATING TEMPERATURE TEMP: -40°C~+125°C (INCLUDING SELF-HEATING)

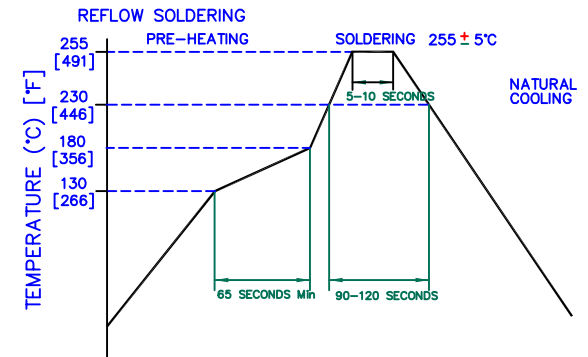


LAND PATTERNS FOR REFLOW SOLDERING



(For wave soldering, add 0.762 [0.030] to this dimension)

RECOMMENDED SOLDERING CONDITIONS



| | | | | | | | | |
|--------------------------------|--|----------|-----|---|--------|------------|--------------|--|
| DIMENSIONS ARE IN mm [INCHES]. | | | | This print is the property of Laird Tech. and is loaned in confidence subject to return upon request and with the understanding that no copies shall be made without the written consent of Laird Tech. All rights to design or invention are reserved. | | | Laird | |
| D | OPERATING TEMPERATURE UPDATE LAIRD LOGO AND REFLOW CURVE | 08/05/13 | QU | PROJECT/PART NUMBER: | REV | PART TYPE: | DRAWN BY: | |
| C | UPDATE COMPANY LOGO | 06/15/09 | JRK | HI1206N800R-10 | D | CO-FIRE | TMB | |
| B | ADD RoHS SYMBOL AND UPDATE COMPANY LOGO | 10/29/07 | TMB | DATE: | SCALE: | NTS | SHEET: | |
| A | ORIGINAL DRAFT | 04/02/04 | TMB | 04/02/04 | | | | |
| REV | DESCRIPTION | DATE | INT | CAD # | TOOL # | - | 2 of 2 | |

Mouser Electronics

Authorized Distributor

Click to View Pricing, Inventory, Delivery & Lifecycle Information:

Laird:

[HI1206N800R-10](#)