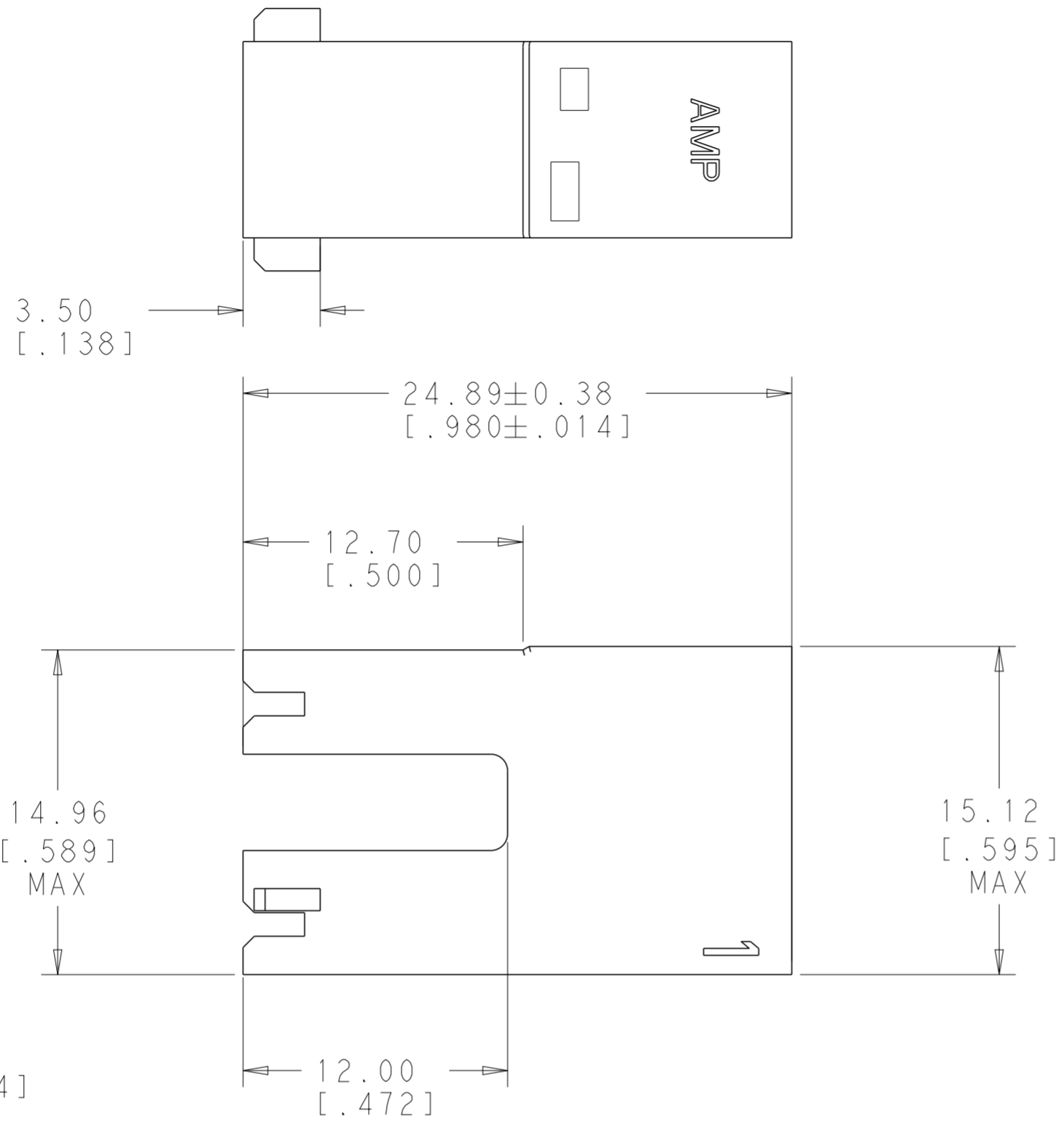
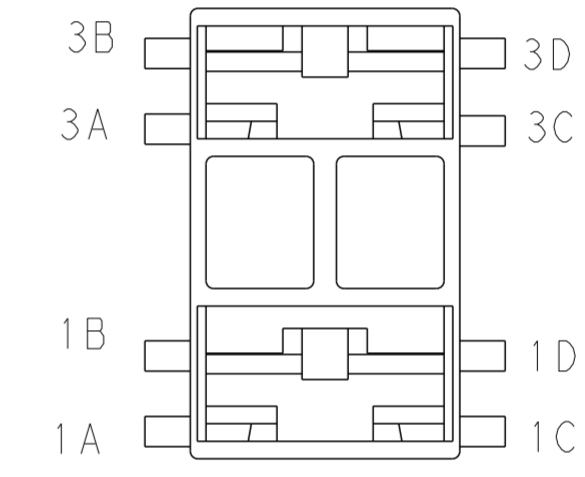


THIS DRAWING IS UNPUBLISHED. RELEASED FOR PUBLICATION 2012
 © COPYRIGHT 2012 BY TE CONNECTIVITY ALL RIGHTS RESERVED.

LOC		DIST		REVISIONS			
P	LTR	DESCRIPTION	DATE	DWN	APVD		
E		REVISED PER ECR-18-004971	17APR2018	MD	FL		
E1		REVISED PER ECR-18-007394	31MAY2018	BDA	DC		

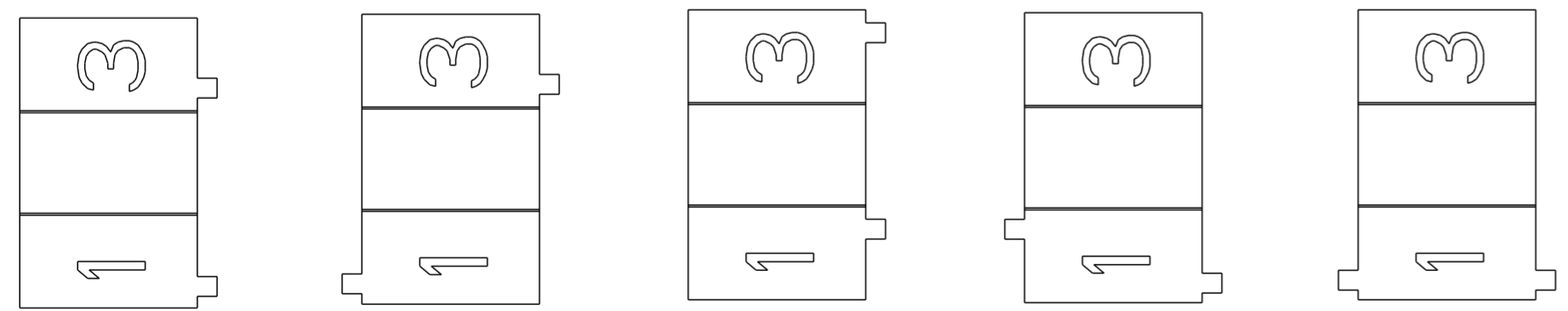


- 1 ACCORDING TO IEC 60335-1, GWPEPT 750°C WITHOUT FLAME
- 2 PRELIMINARY - NOT FOR PRODUCTION
- 3 DELETED NOTE
- 4 DELETED NOTE
- 5 ACCEPTS RECEPTACLES 2238135, 2238136, 1217378, 1217094 AND 1217095
- 6 OBSOLETE PARTS



SPECIAL REAR VIEW THAT MATES WITH THE HEADER VIEWS BELOW SHOWING THE KEYING & POLARIZATION

1	1C	1A	BLUE	5-2178234-5
1	1C	1B	BLACK	5-2178234-4
1	1D, 3D	NONE	NATURAL	5-2178234-3
1	3C	1A	YELLOW	5-2178234-2
1	1C, 3C	NONE	GREEN	5-2178234-1
6	1C	1A	BLUE	5-2178234-5
6	1C	1B	BLACK	5-2178234-4
6	1D, 3D	NONE	NATURAL	5-2178234-3
6	3C	1A	YELLOW	5-2178234-2
	1C, 3C	NONE	GREEN	2178234-1
	KEYING FEATURE	POLARIZATION FEATURE	COLOR	PART NUMBER



2178234-1 5-2178234-1
 5-2178234-2 5-2178234-2
 5-2178234-3 5-2178234-3
 5-2178234-4 5-2178234-4
 5-2178234-5 5-2178234-5

HEADER VIEWS

THIS DRAWING IS A CONTROLLED DOCUMENT.

DWN: M. DIDONATO 28MAR2018
 CHK: F. LUPO 28MAR2018
 APVD: R. ROBONE 28MAR2018

TE Connectivity

HOUSING, RECEPT, POSI-LOCK MK III, 6.35 [.250] SERIES, 3 POSITION, 2 CIRCUIT

SIZE: A2 CAGE CODE: 00779 DRAWING NO: C-2178234 RESTRICTED TO: -

MATERIAL: NYLON TOLERANCES UNLESS OTHERWISE SPECIFIED: SEE TABLE WEIGHT: - SCALE: 4:1 SHEET 1 OF 1 REV: E1

Mouser Electronics

Authorized Distributor

Click to View Pricing, Inventory, Delivery & Lifecycle Information:

[TE Connectivity:](#)

[2178234-2](#)