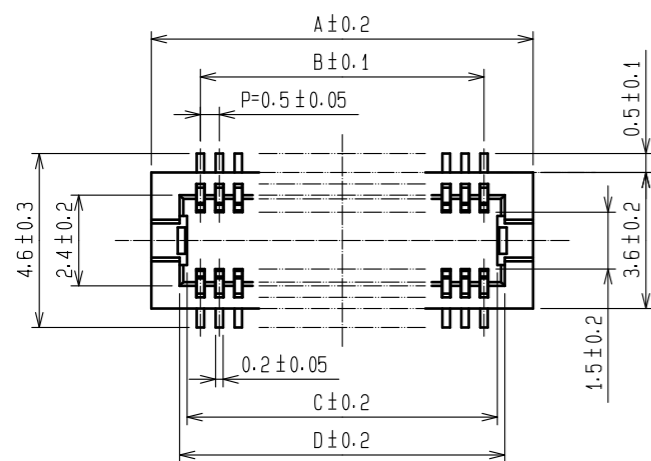
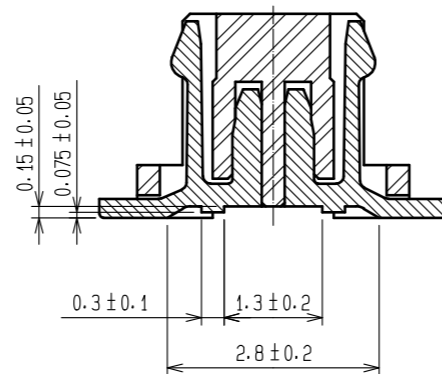


Apr.1.2020 Copyright 2020 HIROSE ELECTRIC CO., LTD. All Rights Reserved.
In case of consideration for using Automotive equipment / device which demand high reliability, kindly contact our sales window correspondents.



F-F (10:1)



| CODE No. | CONTACT | A | B | C | D | E |
|-----------------|---------|------|------|------|------|------|
| CL537-0203-5-81 | 20 | 7.1 | 4.5 | 5.2 | 5.6 | 5.3 |
| CL537-0205-0-81 | 30 | 9.6 | 7.0 | 7.7 | 8.1 | 7.8 |
| CL537-0212-6-81 | 32 | 10.1 | 7.5 | 8.2 | 8.6 | 8.3 |
| CL537-0206-3-81 | 36 | 11.1 | 8.5 | 9.2 | 9.6 | 9.3 |
| CL537-0207-6-81 | 40 | 12.1 | 9.5 | 10.2 | 10.6 | 10.3 |
| CL537-0209-1-81 | 50 | 14.6 | 12.0 | 12.7 | 13.1 | 12.8 |
| CL537-0211-3-81 | 60 | 17.1 | 14.5 | 15.2 | 15.6 | 15.3 |

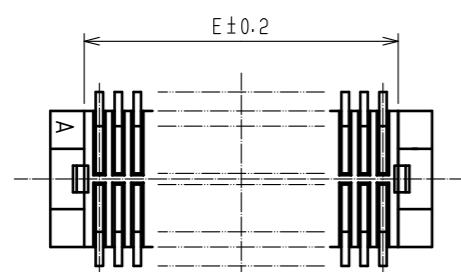
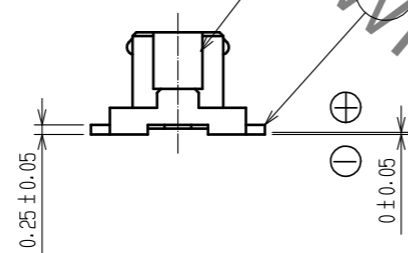
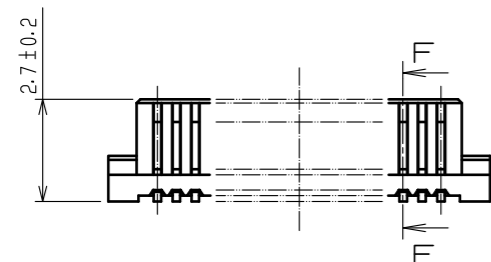
B

C

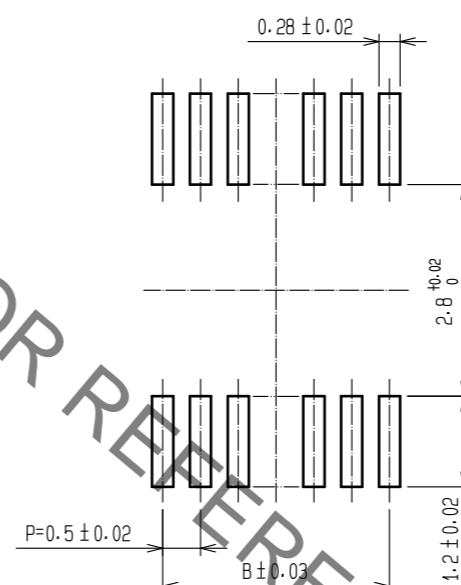
D

E

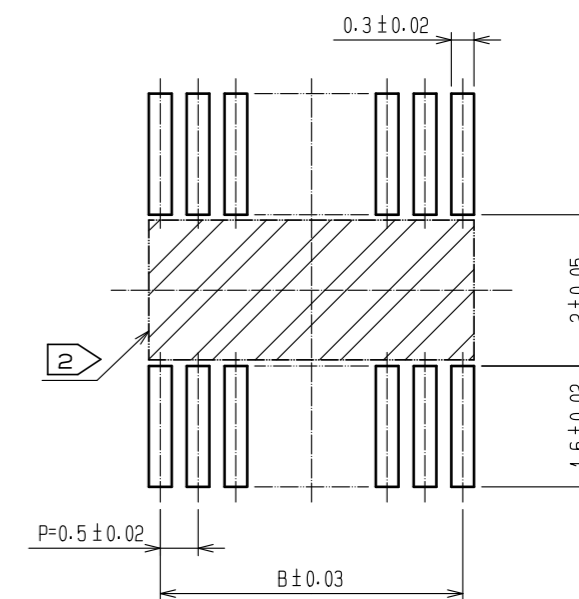
F



RECOMMEND METAL MASK PATTERN (10:1)



RECOMMENDED LAND PATTERN (10:1)



RECOMMENDED THICKNESS OF
SOLDER PASTE : 120 μm

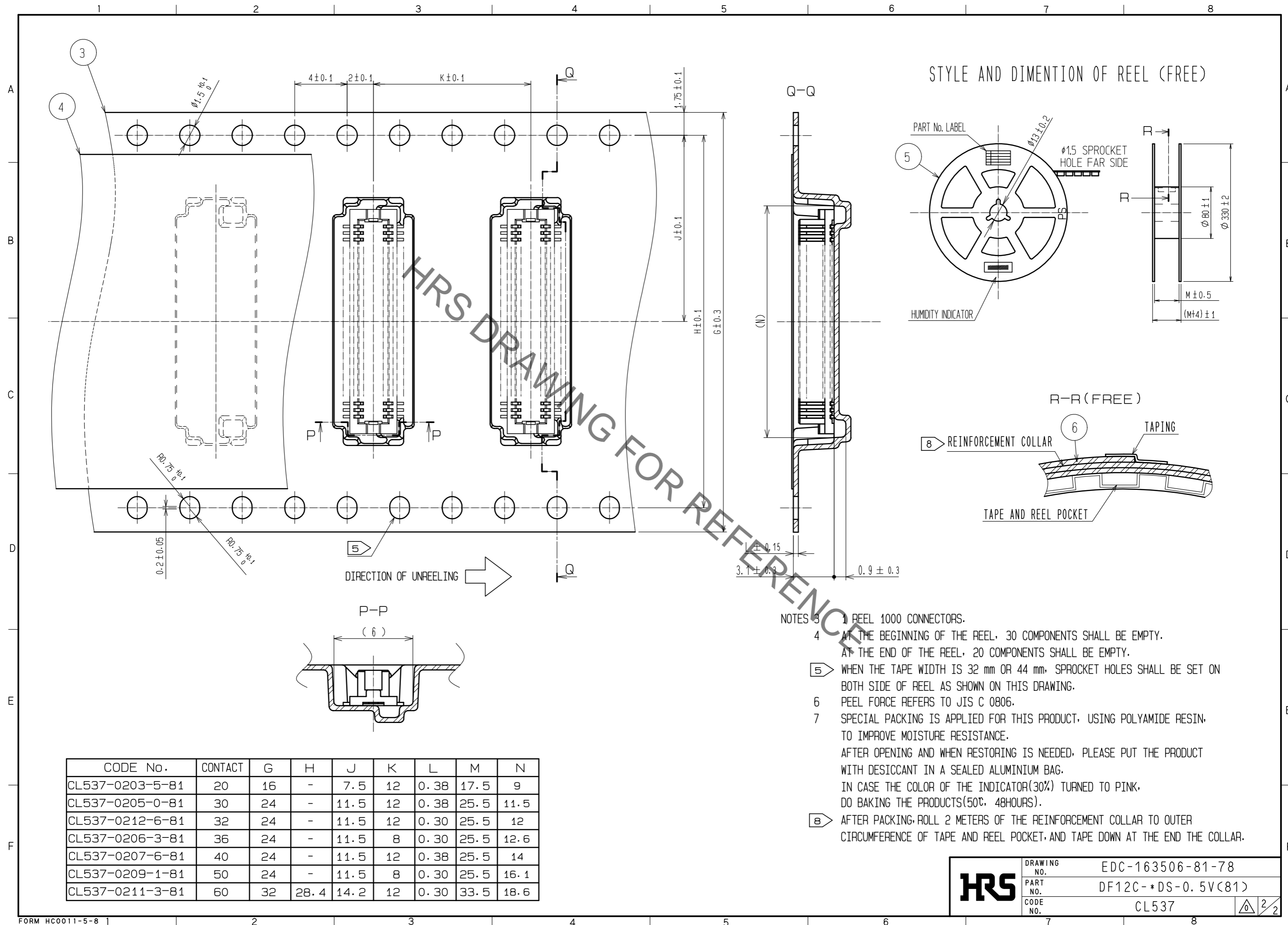
NOTES 1 LEAD CO-PLANARITY SHALL BE 0.08 mm MAX.
2 IF THERE IS PATTERN ON PART, THERE IS A POSSIBILITY THAT IT WILL MAKE CONTACT WITH THE LEADS.

| NO. | MATERIAL | FINISH . REMARKS | NO. | MATERIAL | FINISH . REMARKS |
|-----|-----------------|--|-----|-----------|-------------------------------|
| 2 | PHOSPHOR BRONZE | CONTACT AREA:GOLD PLATED 0.2μm min LEAD AREA:GOLD PLATED 0.015μm min OTHERS(UNDER PLATING):NICKEL PLATED 2μm min | 6 | PS | CLEAR (REINFORCEMENT COLLAR) |
| | | | 5 | PS | BLACK (PLASTIC REEL) |
| | | | 4 | POLYESTER | CLEAR (COVER TAPE) |
| 1 | POLYAMIDE | UL94V-0, NATURAL (BEIGE) | 3 | PS | CLEAR (EMBOSSED CARRIER TAPE) |

| UNITS | SCALE | COUNT | DESCRIPTION OF REVISIONS | DESIGNED | CHECKED | DATE |
|-------|-------|-------|--------------------------|----------|---------|------|
| mm | 5 : 1 | △ | | | | |

| | | | | |
|--------------------------------------|------------------------|----------|-------------|--------------------|
| HRS HIROSE ELECTRIC CO., LTD. | APPROVED : WR. FUKUCHI | 20190409 | DRAWING NO. | EDC-163506-81-78 |
| | CHECKED : WR. FUKUCHI | 20190409 | PART NO. | DF12C-*DS-0.5V(81) |
| | DESIGNED : KT. KUSAKA | 20190409 | CODE NO. | CL537 |
| | DRAWN : RN. IIDA | 20190409 | | |

Apr.1.2020 Copyright 2020 HIROSE ELECTRIC CO., LTD. All Rights Reserved.
 In case of consideration for using Automotive equipment / device which demand high reliability, kindly contact our sales window correspondents.



| CODE No. | CONTACT | G | H | J | K | L | M | N |
|-----------------|---------|----|------|------|----|------|------|------|
| CL537-0203-5-81 | 20 | 16 | - | 7.5 | 12 | 0.38 | 17.5 | 9 |
| CL537-0205-0-81 | 30 | 24 | - | 11.5 | 12 | 0.38 | 25.5 | 11.5 |
| CL537-0212-6-81 | 32 | 24 | - | 11.5 | 12 | 0.30 | 25.5 | 12 |
| CL537-0206-3-81 | 36 | 24 | - | 11.5 | 8 | 0.30 | 25.5 | 12.6 |
| CL537-0207-6-81 | 40 | 24 | - | 11.5 | 12 | 0.38 | 25.5 | 14 |
| CL537-0209-1-81 | 50 | 24 | - | 11.5 | 8 | 0.30 | 25.5 | 16.1 |
| CL537-0211-3-81 | 60 | 32 | 28.4 | 14.2 | 12 | 0.30 | 33.5 | 18.6 |

| | | |
|------------|-------------|--------------------|
| HRS | DRAWING NO. | EDC-163506-81-78 |
| | PART NO. | DF12C-*DS-0.5V(81) |
| | CODE NO. | CL537 |