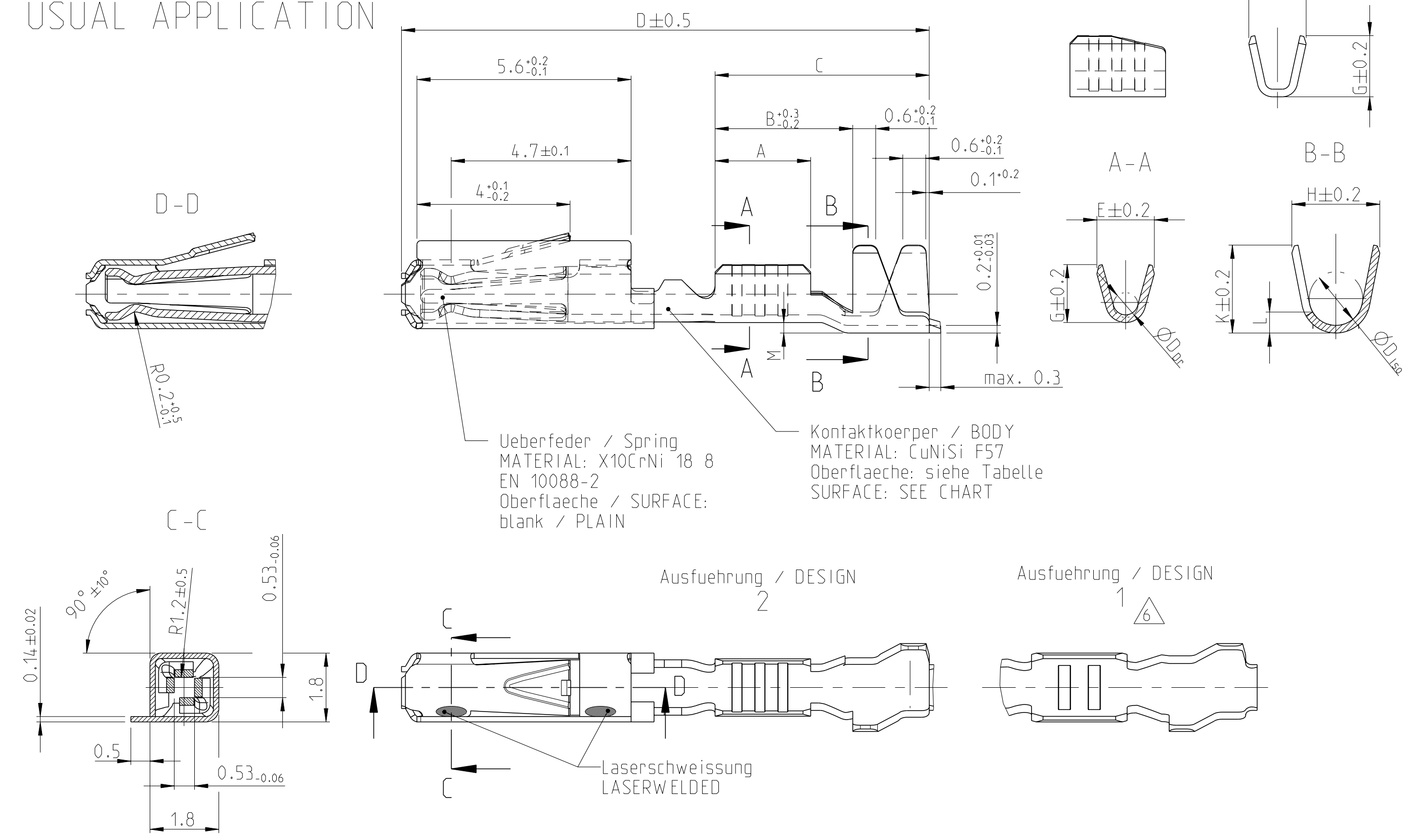
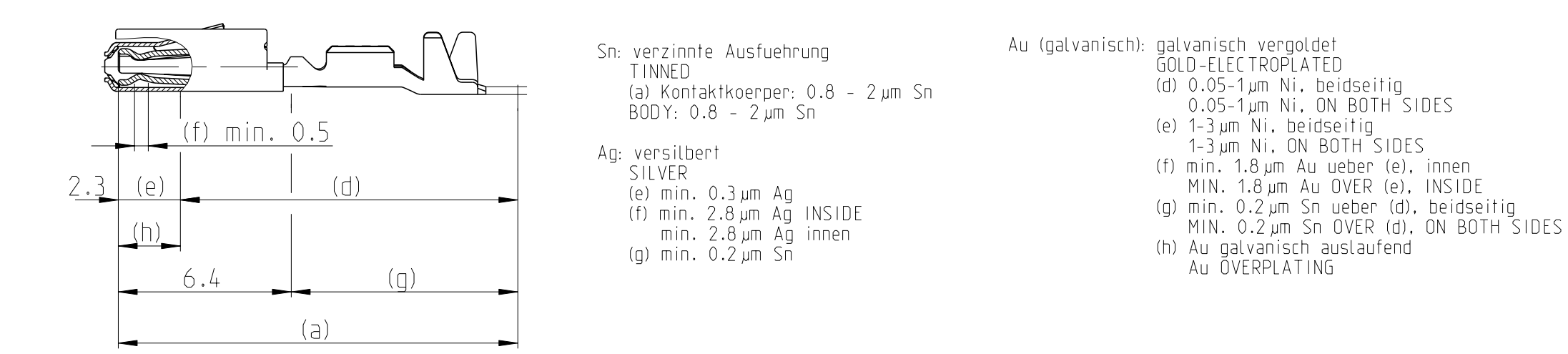


### Normale Anwendung USUAL APPLICATION



### Oberflaeche / FINISH

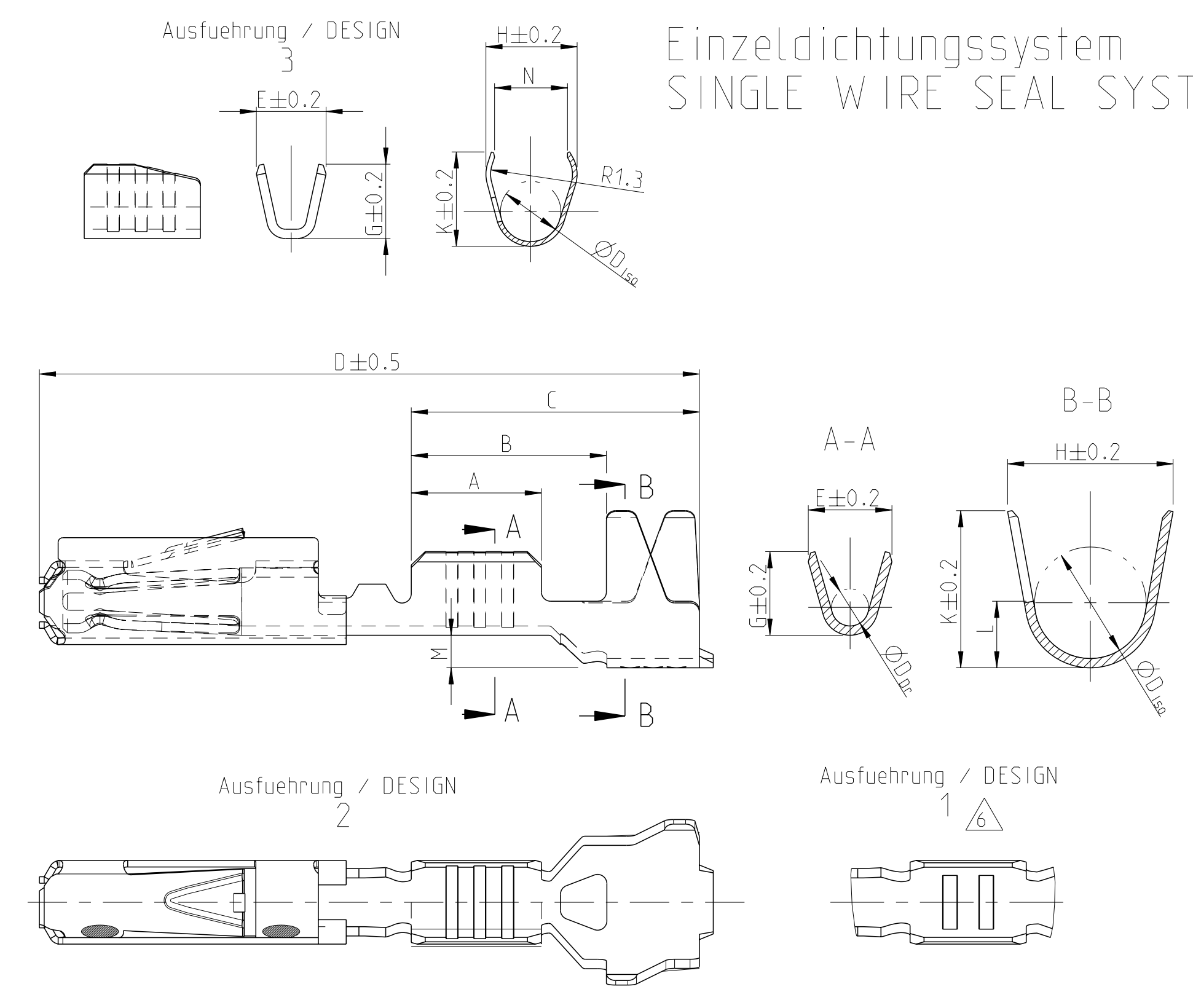


Bestell-Nr. / ORDER NO.	Bestell-Nr. / ORDER NO.	Rev	Bestell-Nr. / ORDER NO.	Rev	VERSION	DGB Wire Size Range mm <sup>2</sup>	Oberflaeche SURFACE	Laenge LENGTH mm	Drahtcrimp WIRE CRIMP mm	Iso-crimp INSU-CRIMP mm	Gewicht WEIGHT g	Verarbeitung / APPLICATION SPEC.	DGB Wire Size Range mm <sup>2</sup>	Isolations INSULATION DIA. mm	fuer Kammer FOR CAVITY DIA. 3.45 mm	Blindstopfen RUBBER PLUG	fuer Kammer FOR CAVITY DIA. 4 mm	Blindstopfen RUBBER PLUG								
6-965906-5	1-965906-5	E	965906-5	D	Einzelichtungssystem SINGLE WIRE SEAL SYSTEM	0.50-0.75	Au+Gel	A = 2.8 B = 4.2 C = 6.2 D = 14.3 M = 0.7	E = 2 G = 2.1 D <sub>Dr</sub> = 1	H = 3.5 K = 3.4 L = 1.5 D <sub>ISO</sub> = 2.4	0.13	114-18025	0.75	1.4-1.9	967067-1 gruen GREEN	967056-1 blau / BLUE	963142-1 schwarz BLACK	967056-1 blau / BLUE								
5-965906-6	965906-6	D	Ag	A = 2.5 B = 3.9 C = 5.9 D = 14 M = 0.7			E = 1.8 G = 1.8 D <sub>Dr</sub> = 0.8	H = 3.5 K = 3.4 L = 1.5 D <sub>ISO</sub> = 2.4	0.13	0.35									0.9-1.4	967067-2 gelb YELLOW	963142-2 grau GREY					
5-965906-5	965906-5	D	Au	A = 2.5 B = 4.3 C = 6.2 D = 13.7 M = 0.6			E = 1.5 G = 1.4	H = 4 K = 4.1 L = 3.1 D <sub>ISO</sub> = 2.6														0.1	0.2	0.85-1.25	967067-2 gelb YELLOW	963142-2 grau GREY
5-965906-1	965906-1	C	Sn	A = 2.8 B = 4.2 C = 6.2 D = 14.3 M = 0.7			E = 2 G = 2.1 D <sub>Dr</sub> = 1	H = 3.5 K = 3.4 L = 1.5 D <sub>ISO</sub> = 2.4																		
5-962885-6	962885-6	H	Ag	A = 2.5 B = 3.6 C = 5.6 D = 13.7 M = 0.2			E = 1.8 G = 1.8 D <sub>Dr</sub> = 0.8	H = 2.3 K = 2.3 L = 0.6 D <sub>ISO</sub> = 1.4																		
5-962885-5	962885-5	J	Au	A = 2.5 B = 3.7 C = 5.4 D = 13.7 M = 0	E = 1.5 G = 1.4	H = 2 K = 1.9 D <sub>ISO</sub> = 1.1																				
5-962885-1	962885-1	H	Sn	A = 2.8 B = 4.2 C = 6.2 D = 14.3 M = 0.7	E = 2 G = 2.1 D <sub>Dr</sub> = 1	H = 3.5 K = 3.4 L = 1.5 D <sub>ISO</sub> = 2.4																				
2141826-6	A	Ag	A = 2.5 B = 3.6 C = 5.6 D = 13.7 M = 0.2	E = 1.8 G = 1.8 D <sub>Dr</sub> = 0.8	H = 2.3 K = 2.3 L = 0.6 D <sub>ISO</sub> = 1.4																					
2141826-5	A	Au	A = 2.5 B = 3.7 C = 5.4 D = 13.7 M = 0	E = 1.5 G = 1.4	H = 2 K = 1.9 D <sub>ISO</sub> = 1.1																					
2141826-1	A	Sn	A = 2.8 B = 4.2 C = 6.2 D = 14.3 M = 0.7	E = 2 G = 2.1 D <sub>Dr</sub> = 1	H = 3.5 K = 3.4 L = 1.5 D <sub>ISO</sub> = 2.4																					
6-963715-5	1-963715-5	K	963715-5	J	normale Anwendung USUAL APPLICATION	0.50-0.75	Au+Gel	A = 2.8 B = 4.2 C = 6.2 D = 14.3 M = 0.7	E = 2 G = 2.1 D <sub>Dr</sub> = 1	H = 3.5 K = 3.4 L = 1.5 D <sub>ISO</sub> = 2.4	0.11	114-18021	0.75	1.4-1.9	967067-1 gruen GREEN	967056-1 blau / BLUE	963142-1 schwarz BLACK	967056-1 blau / BLUE								
5-963715-6	963715-6	H	Ag	A = 2.5 B = 3.6 C = 5.6 D = 13.7 M = 0.2			E = 1.8 G = 1.8 D <sub>Dr</sub> = 0.8	H = 2.3 K = 2.3 L = 0.6 D <sub>ISO</sub> = 1.4																		
5-963715-5	963715-5	J	Au	A = 2.5 B = 3.7 C = 5.4 D = 13.7 M = 0			E = 1.5 G = 1.4	H = 2 K = 1.9 D <sub>ISO</sub> = 1.1																		
5-963715-1	963715-1	H	Sn	A = 2.8 B = 4.2 C = 6.2 D = 14.3 M = 0.7			E = 2 G = 2.1 D <sub>Dr</sub> = 1	H = 3.5 K = 3.4 L = 1.5 D <sub>ISO</sub> = 2.4																		
6-928999-5	1-928999-5	T	928999-5	S			Au+Gel	A = 2.5 B = 3.6 C = 5.6 D = 13.7 M = 0.2	E = 1.8 G = 1.8 D <sub>Dr</sub> = 0.8	H = 2.3 K = 2.3 L = 0.6 D <sub>ISO</sub> = 1.4																
5-928999-6	928999-6	R	Ag	A = 2.5 B = 3.7 C = 5.4 D = 13.7 M = 0	E = 1.5 G = 1.4	H = 2 K = 1.9 D <sub>ISO</sub> = 1.1																				
5-928999-5	928999-5	S	Au	A = 2.8 B = 4.2 C = 6.2 D = 14.3 M = 0.7	E = 2 G = 2.1 D <sub>Dr</sub> = 1	H = 3.5 K = 3.4 L = 1.5 D <sub>ISO</sub> = 2.4																				
5-928999-1	928999-1	R	Sn	A = 2.5 B = 3.6 C = 5.6 D = 13.7 M = 0.2	E = 1.8 G = 1.8 D <sub>Dr</sub> = 0.8	H = 2.3 K = 2.3 L = 0.6 D <sub>ISO</sub> = 1.4																				
2141824-6	A	Ag	A = 2.5 B = 3.7 C = 5.4 D = 13.7 M = 0	E = 1.5 G = 1.4	H = 2 K = 1.9 D <sub>ISO</sub> = 1.1																					
2141824-5	A	Au	A = 2.8 B = 4.2 C = 6.2 D = 14.3 M = 0.7	E = 2 G = 2.1 D <sub>Dr</sub> = 1	H = 3.5 K = 3.4 L = 1.5 D <sub>ISO</sub> = 2.4																					
2141824-1	A	Sn	A = 2.5 B = 3.6 C = 5.6 D = 13.7 M = 0.2	E = 1.8 G = 1.8 D <sub>Dr</sub> = 0.8	H = 2.3 K = 2.3 L = 0.6 D <sub>ISO</sub> = 1.4																					
1355717-5	C	Au	A = 2.5 B = 3.7 C = 5.4 D = 13.7 M = 0	E = 1.5 G = 1.4	H = 2 K = 1.9 D <sub>ISO</sub> = 1.1																					
1355717-1	C	Sn	A = 2.8 B = 4.2 C = 6.2 D = 14.3 M = 0.7	E = 2 G = 2.1 D <sub>Dr</sub> = 1	H = 3.5 K = 3.4 L = 1.5 D <sub>ISO</sub> = 2.4																					

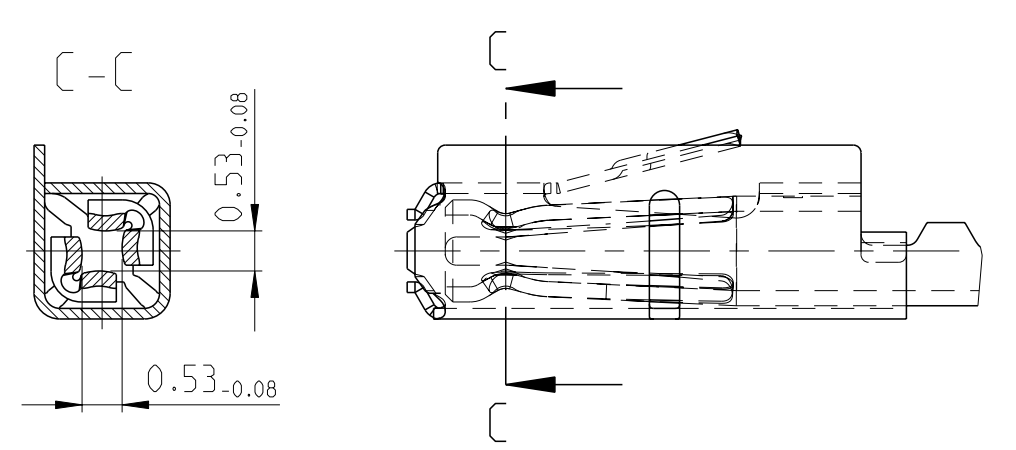
Bestell-Nr. / ORDER NO.	Bestell-Nr. / ORDER NO.	Rev	Bestell-Nr. / ORDER NO.	Rev	VERSION	DGB Wire Size Range mm <sup>2</sup>	Oberflaeche SURFACE	Laenge LENGTH mm	Drahtcrimp WIRE CRIMP mm	Iso-crimp INSU-CRIMP mm	Gewicht WEIGHT g	Verarbeitung / APPLICATION SPEC.	DGB Wire Size Range mm <sup>2</sup>	Isolations INSULATION DIA. mm	fuer Kammer FOR CAVITY DIA. 3.45 mm	Blindstopfen RUBBER PLUG	fuer Kammer FOR CAVITY DIA. 4 mm	Blindstopfen RUBBER PLUG
2	3		1		normale Anwendung USUAL APPLICATION	0.50-0.75	Au+Gel	A = 2.8 B = 4.2 C = 6.2 D = 14.3 M = 0.7	E = 2 G = 2.1 D <sub>Dr</sub> = 1	H = 3.5 K = 3.4 L = 1.5 D <sub>ISO</sub> = 2.4	0.13	114-18025	0.75	1.4-1.9	967067-1 gruen GREEN	967056-1 blau / BLUE	963142-1 schwarz BLACK	967056-1 blau / BLUE
2	3		1		normale Anwendung USUAL APPLICATION	0.25-0.35	Ag	A = 2.5 B = 3.9 C = 5.9 D = 14 M = 0.7	E = 1.8 G = 1.8 D <sub>Dr</sub> = 0.8	H = 3.5 K = 3.4 L = 1.5 D <sub>ISO</sub> = 2.4	0.13	114-18025	0.35	0.9-1.4	967067-2 gelb YELLOW	967056-1 blau / BLUE	963142-2 grau GREY	967056-1 blau / BLUE
2	3		1		normale Anwendung USUAL APPLICATION	0.13 / 0.17	Au	A = 2.5 B = 4.3 C = 6.2 D = 13.7 M = 0.6	E = 1.5 G = 1.4	H = 4 K = 4.1 L = 3.1 D <sub>ISO</sub> = 2.6	0.1	114-18025	0.13	0.85-1.25	967067-2 gelb YELLOW	967056-1 blau / BLUE	963142-2 grau GREY	967056-1 blau / BLUE
2	3		1		normale Anwendung USUAL APPLICATION	0.50-0.75	Au+Gel	A = 2.8 B = 4.2 C = 6.2 D = 14.3 M = 0.7	E = 2 G = 2.1 D <sub>Dr</sub> = 1	H = 3.5 K = 3.4 L = 1.5 D <sub>ISO</sub> = 2.4	0.11	114-18021	0.75	1.4-1.9	967067-1 gruen GREEN	967056-1 blau / BLUE	963142-1 schwarz BLACK	967056-1 blau / BLUE
2	3		1		normale Anwendung USUAL APPLICATION	0.25-0.35	Ag	A = 2.5 B = 3.6 C = 5.6 D = 13.7 M = 0.2	E = 1.8 G = 1.8 D <sub>Dr</sub> = 0.8	H = 2.3 K = 2.3 L = 0.6 D <sub>ISO</sub> = 1.4	0.11	114-18021	0.35	0.9-1.4	967067-2 gelb YELLOW	967056-1 blau / BLUE	963142-2 grau GREY	967056-1 blau / BLUE
2	3		1		normale Anwendung USUAL APPLICATION	0.13 / 0.17	Au	A = 2.5 B = 3.7 C = 5.4 D = 13.7 M = 0	E = 1.5 G = 1.4	H = 2 K = 1.9 D <sub>ISO</sub> = 1.1	0.1	114-18021	0.13	0.85-1.25	967067-2 gelb YELLOW	967056-1 blau / BLUE	963142-2 grau GREY	967056-1 blau / BLUE
2	3		1		normale Anwendung USUAL APPLICATION	0.08-0.22	Au	A = 2.5 B = 3.7 C = 5.4 D = 13.7 M = 0	E = 1.5 G = 1.5 D <sub>Dr</sub> = 0.65	H = 2 K = 2 D <sub>ISO</sub> = 1.1	0.1	114-18021	0.13	0.85-1.25	967067-2 gelb YELLOW	967056-1 blau / BLUE	963142-2 grau GREY	967056-1 blau / BLUE

zugehoerige Einzelichtung / SUITABLE SINGLE WIRE SEAL

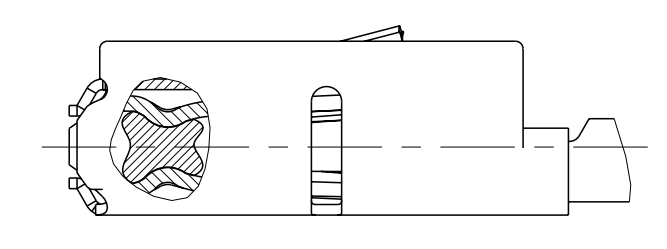
### Einzelichtungssystem SINGLE WIRE SEAL SYSTEM



### vergoldete Ausfuhrung GOLD VERSION

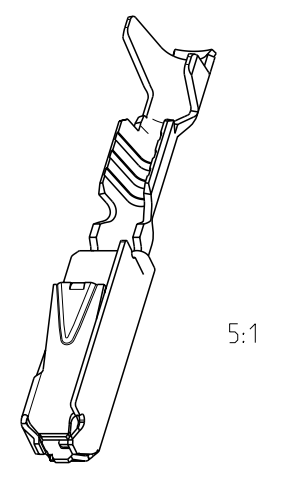
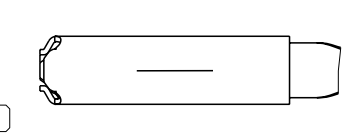
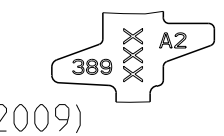


### GEL VERSION



### Bemerkungen

- Datumscode (Woche/Jahr z.B. KW 38/Jahr2009) und TE-Revision (z.B. Rev.A) DATE CODE (WEEK/YEAR E.G. WEEK NUMBER 38/YEAR2009) AND TE REVISION (E.G. REV. A)
- Passend zu Stiftkontakt siehe Zeichnung 929453 SUITABLE FOR PIN CONTACT SEE DRAWING 929453
- Einzelheiten der Ausfuhrung bleiben dem Hersteller ueberlassen DETAILS OF DESIGN ARE LEFT TO MANUFACTURER
- Nur fuer FLR-Leitung nach DIN 72551 Teil 6 FOR FLR-CONDUCTOR ACCORDING TO DIN 72551-6 ONLY



THIS DRAWING IS A CONTROLLED DOCUMENT.		OWN S.Garcia 05JAN1999	TE Connectivity	
DIMENSIONS: mm		CHK R.Jetter 05JAN1999	NAME	
TOLERANCES UNLESS OTHERWISE SPECIFIED:		APPV M.Bleicher 13AUG2003	MOS	
1-PLC ±0.2		108-18030		
2-PLC ±0.2		114-18021 / 114-18025		
3-PLC ±0.2		114-18021 / 114-18025		
4-PLC ±0.2		114-18021 / 114-18025		
ANGLES ±1°		114-18021 / 114-18025		
MATERIAL		114-18021 / 114-18025		
FINISH		114-18021 / 114-18025		
WEIGHT		114-18021 / 114-18025		
CUSTOMER DRAWING		114-18021 / 114-18025		
SCALE 10:1		SHEET 1 OF 1		
REV C 18		REV C 18		

# Mouser Electronics

Authorized Distributor

Click to View Pricing, Inventory, Delivery & Lifecycle Information:

[TE Connectivity:](#)

[928999-6](#)