

**PLEASE CHECK WWW.MOLEX.COM FOR LATEST PART INFORMATION**

**Part Number:** [5015680807](#)  
**Status:** **Active**  
**Overview:** Pico-Clasp Wire-to-Board Connectors  
**Description:** 1.00mm Pitch Pico-Clasp Wire-to-Board Header, Surface Mount, Single Row, Right Angle, Tin Plated, with Inner Positive Lock, 8 Circuits

**Documents:**

[3D Model](#) [Packaging Specification SPK-501568-001-001 \(PDF\)](#)  
[Drawing \(PDF\)](#) [RoHS Certificate of Compliance \(PDF\)](#)  
[Product Specification PS-501568-001-001 \(PDF\)](#)

**Agency Certification**

UL E29179

**General**

Product Family PCB Headers  
Series [501568](#)  
Application Signal, Wire-to-Board  
Doc Info - Component E-501568-003\_D, E-501568-005\_D, PS-501568-001\_A, RPS-501331-001\_C, RPS-501940-001\_A, RPS-501940-002\_A, RSD-501568-002\_0, SD-501568-002\_  
Made From 5015680808, 5015690109, 5015700108  
Overview [Pico-Clasp Wire-to-Board Connectors](#)  
Product Name Pico-Clasp  
UPC 822348871841

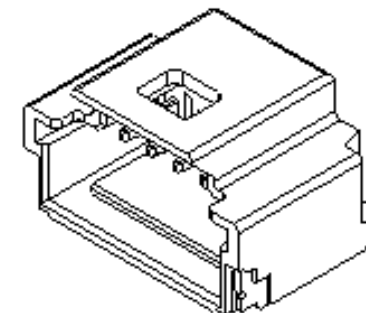
**Physical**

Breakaway No  
Circuits (Loaded) 8  
Circuits (maximum) 8  
Color - Resin Natural  
Durability (mating cycles max) 30  
Glow-Wire Capable No  
Lock to Mating Part Yes  
Material - Metal Phosphor Bronze  
Material - Plating Mating Tin  
Material - Plating Termination Tin  
Material - Resin Nylon  
Net Weight 182.600/mg  
Number of Rows 1  
Orientation Right Angle  
PCB Locator No  
PCB Retention Yes  
Packaging Type Embossed Tape on Reel  
Pitch - Mating Interface 1.00mm  
Polarized to Mating Part Yes  
Polarized to PCB No  
Stackable No  
Temperature Range - Operating -40°C to +105°C  
Temperature Range NonOperating -40°C to +85°C  
Termination Interface: Style Surface Mount

**Electrical**

Current - Maximum per Contact 1.0A  
Voltage - Maximum 50V AC (RMS)/DC

**Material Info**



Series image - Reference only

**EU ELV**

**Not Relevant**

**EU RoHS**

**Compliant**

**REACH SVHC**

Not Contained Per - ED/30/2017 (7 July 2017)

**Halogen-Free**

**Status**

**Not Low-Halogen**

**Need more information on product environmental compliance?**

Email [productcompliance@molex.com](mailto:productcompliance@molex.com)  
Please visit the [Contact Us](#) section for any non-product compliance questions.

China ROHS

ELV

RoHS Phthalates

Green Image

Not Relevant

Not Contained

**Search Parts in this Series**

[501568](#) Series

**Mates With**

[501330](#) Pico-Clasp Wire-to-Board Female Housing

**Reference - Drawing Numbers**

Packaging Specification

Product Specification

Sales Drawing

SPK-501568-001-001

PS-501568-001-001

SD-501568-002, SD-501568-006

This document was generated on 02/26/2018

**PLEASE CHECK [WWW.MOLEX.COM](http://WWW.MOLEX.COM) FOR LATEST PART INFORMATION**

# Mouser Electronics

Authorized Distributor

Click to View Pricing, Inventory, Delivery & Lifecycle Information:

[Molex:](#)

[501568-0807](#)