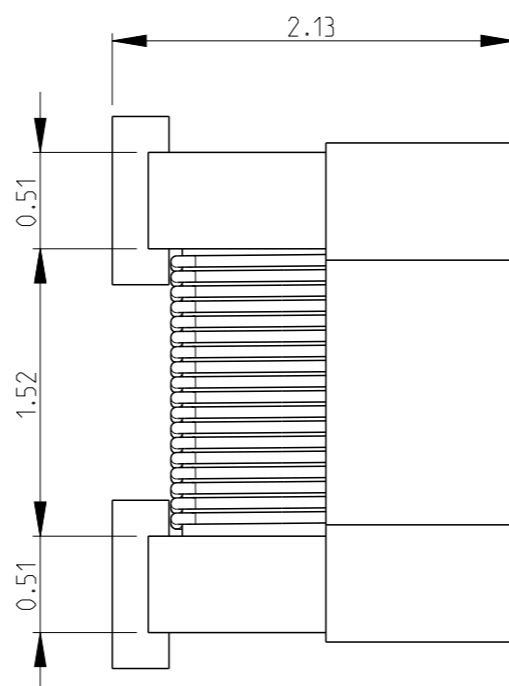
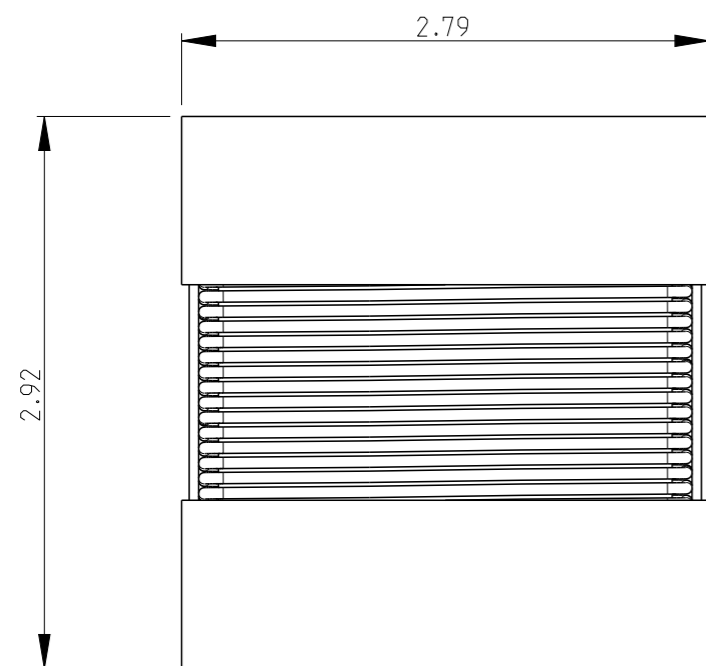


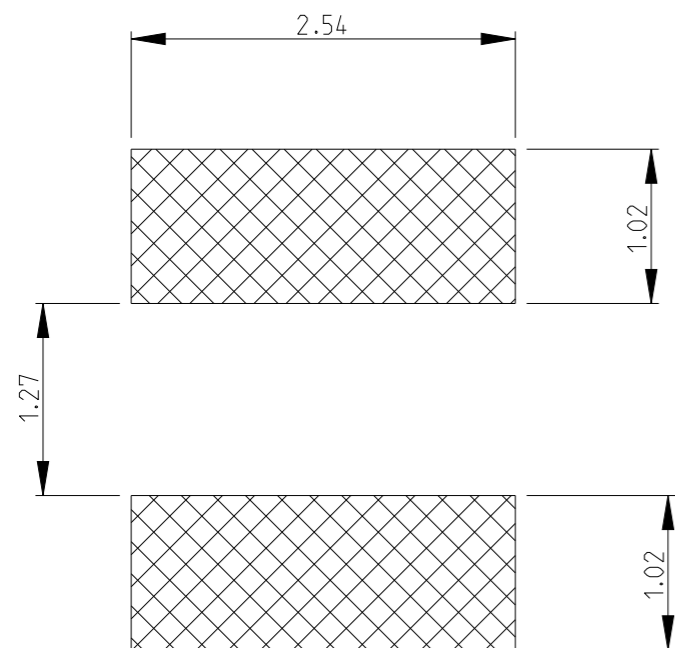
REVISIONS

| P | LTR | DESCRIPTION   | DATE      | DWN | APVD |
|---|-----|---------------|-----------|-----|------|
|   | BA1 | ECR-14-010250 | 16JUL2014 | KR  | TN   |

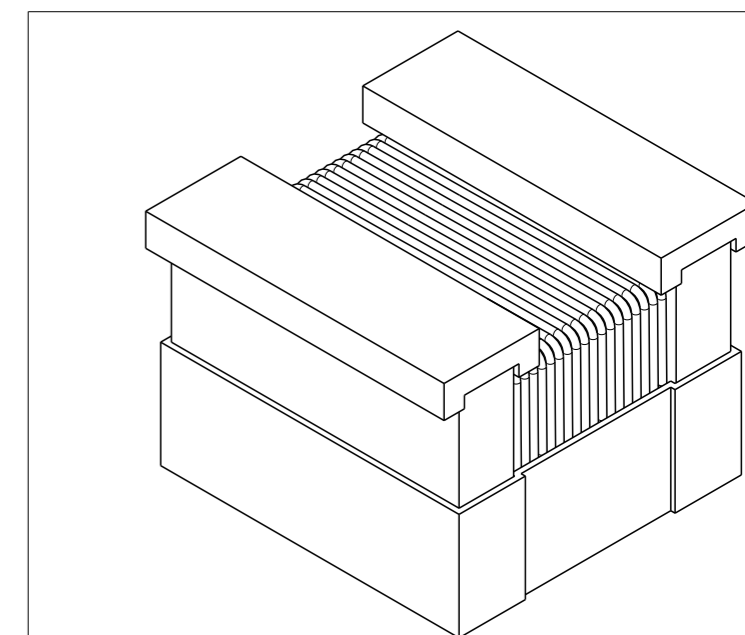
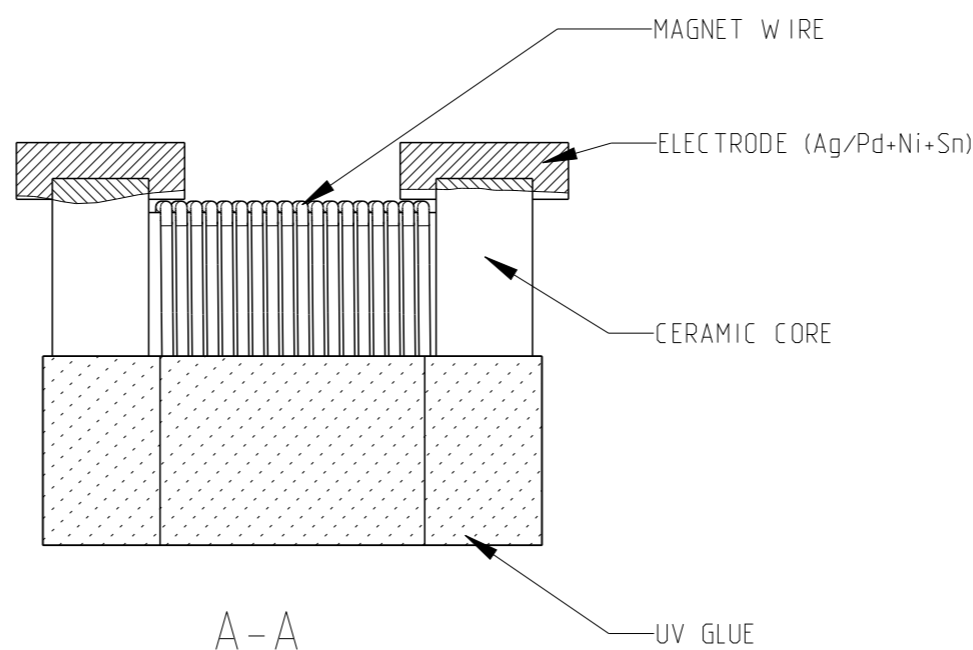


- 1 TERMINAL WRAPAROUND APPROX 0.007" (0.18mm) BOTH ENDS
- 2 FOR FURTHER INFORMATION SEE DATA SHEET FOR 3650 SERIES-LOW INDUCTANCE, HIGH FREQUENCY CHIP INDUCTOR

RECOMMENDED LAND PATTERN FOR 3650-2C SERIES



ROHS Compliant



THIS DRAWING IS A CONTROLLED DOCUMENT.

| DIMENSIONS: |      | TOLERANCES UNLESS OTHERWISE SPECIFIED: |      |
|-------------|------|--|------|
| mm          |      |  |      |
| 0 PLC       | ±0.2 | 1 PLC                                  | ±0.1 |
| 2 PLC       | ±    | 3 PLC                                  | ±    |
| 4 PLC       | ±    | ANGLES                                 | ±5°  |
| MATERIAL    | -    | FINISH                                 | -    |

|                  |           |           |
|------------------|-----------|-----------|
| DWN              | SUBHASH.M | 04-AUG-09 |
| CHK              | ALLAN.P   | 04-AUG-09 |
| APVD             | STEPHEN.P | 04-AUG-09 |
| PRODUCT SPEC     | -         | -         |
| APPLICATION SPEC | -         | -         |
| WEIGHT           | -         | -         |
| Customer Drawing |           |           |



| NAME  |           |            |               |
|---|-----------|------------|---------------|
| LOW INDUCTANCE, HIGH FREQUENCY CHIP INDUCTOR SERIES 3650 2C |           |            |               |
| SIZE  | CAGE CODE | DRAWING NO | RESTRICTED TO |
| A3  | 00779     | C-1879023  | -             |
| SCALE   | SHEET     | OF         | REV           |
| NTS   | 1         | 1          | BA1           |

# Mouser Electronics

Authorized Distributor

Click to View Pricing, Inventory, Delivery & Lifecycle Information:

[TE Connectivity:](#)

[36502C68NJTDG](#)