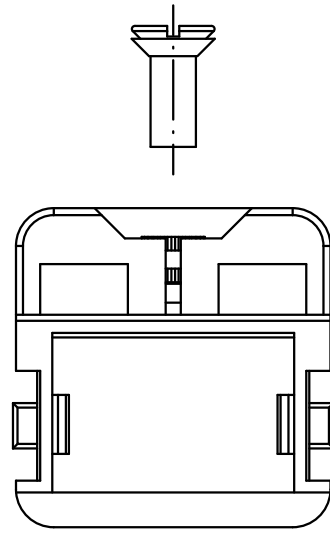
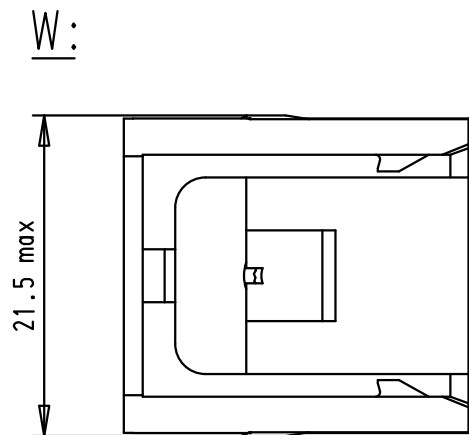
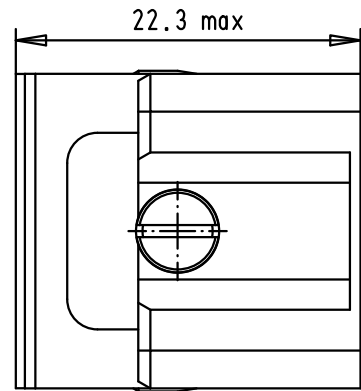
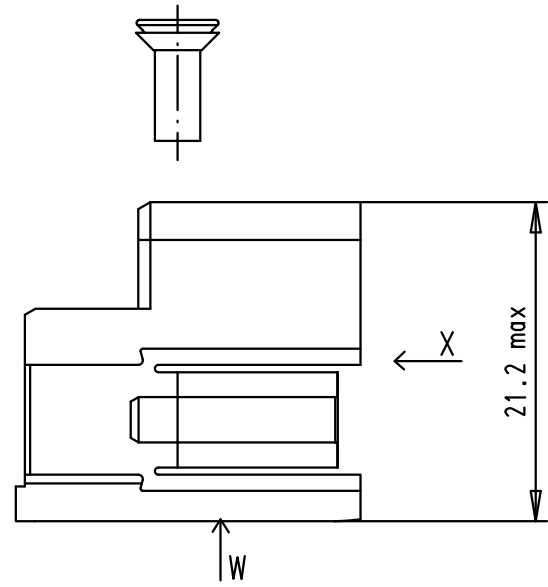
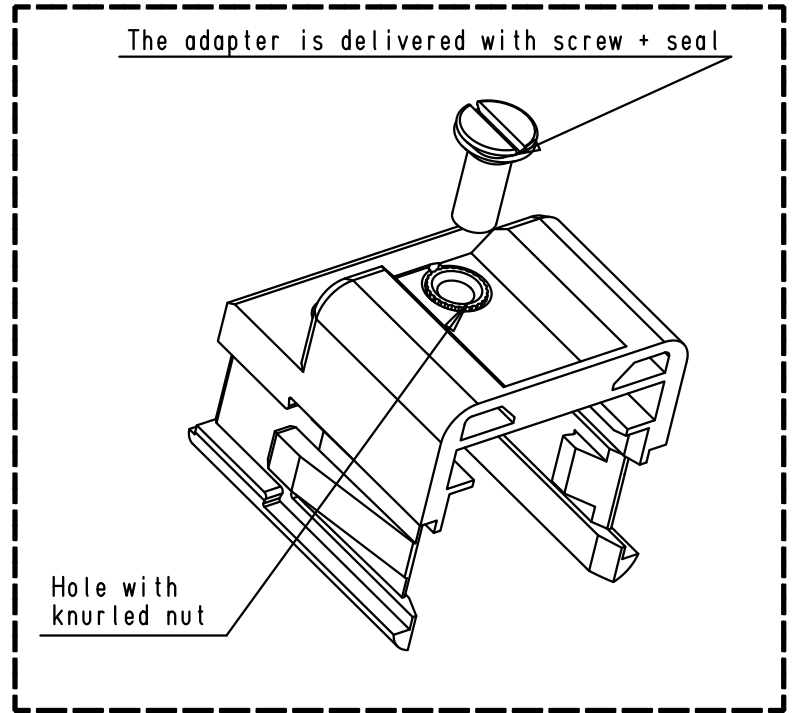
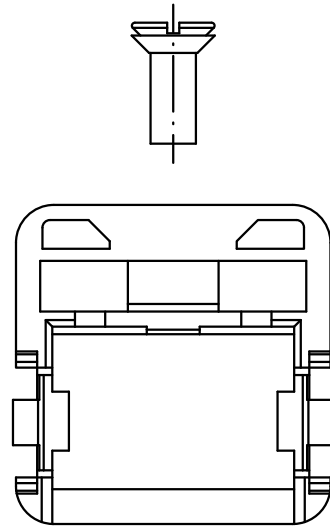


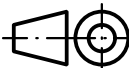

Alle Rechte vorbehalten. All rights reserved



X:



Screw screwing torque: 0.5 N.m

			Det.	Name	 HAN®3A receptacle housing adapter for HIFF inserts including fixing screw	Maßstab/ Scale
			Detail.	27/07/10 AB		2:1
			Insp.			
			Stand.		All Dim. in mm Orig. Size DIN A3	
36087	27/07/10	AB	HARTING EURL F-95972 Paris		 TB 09 45 515 0024	Blatt/ Page
Mod.	Det.	Name				1/1

Mouser Electronics

Authorized Distributor

Click to View Pricing, Inventory, Delivery & Lifecycle Information:

[HARTING:](#)

[09455150024](#)