

THE INFORMATION CONTAINED HEREIN IS CONSIDERED "PROPRIETARY" TO BEL FUSE INC. AND SHALL NOT BE COPIED, REPRODUCED OR DISCLOSED WITHOUT THE WRITTEN APPROVAL OF BEL FUSE INC.

RoHS



| LED1 POLARITY |        |        | LED2 POLARITY |        |        |
|---------------|--------|--------|---------------|--------|--------|
| PIN 13        | PIN 14 | COLOR  | PIN 15        | PIN 16 | COLOR  |
| -             | +      | YELLOW | -             | +      | GREEN  |
|               |        |        | +             | -      | ORANGE |

**ELECTRICAL CHARACTERISTICS @ 25°C**

**URNS RATIO**

TX 1CT : 1  
 RX 1CT : 1

**CL @ 100kHz/100mVRMS**

8mA DC BIAS (0-70°C) 350µH MIN.

**INS. LOSS**

0.1MHz TO 1MHz -1.1 dB MAX  
 1MHz TO 65MHz -0.5 dB MAX  
 65MHz TO 100MHz -0.8 dB MAX  
 100MHz TO 125MHz -1.2 dB MAX

**RET. LOSS (MIN) @ 100 OHMS +/- 15%**

0.5MHz-40MHz -18 dB  
 40MHz-100MHz -12+20LOG(f/80MHz) dB

**CM TO CM REJ**

100kHz - 100MHz -30 dB MIN

**CM TO DM REJ**

100kHz - 100MHz -35 dB MIN

**HIPOT (Isolation Voltage):**

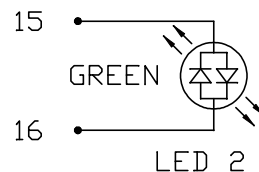
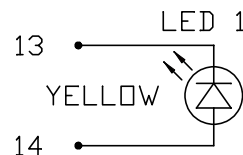
1500 Vrms  
 100% OF PRODUCTION TESTED TO COMPLY WITH IEEE 802.3 ISOLATION REQUIREMENTS.

**LED 1**

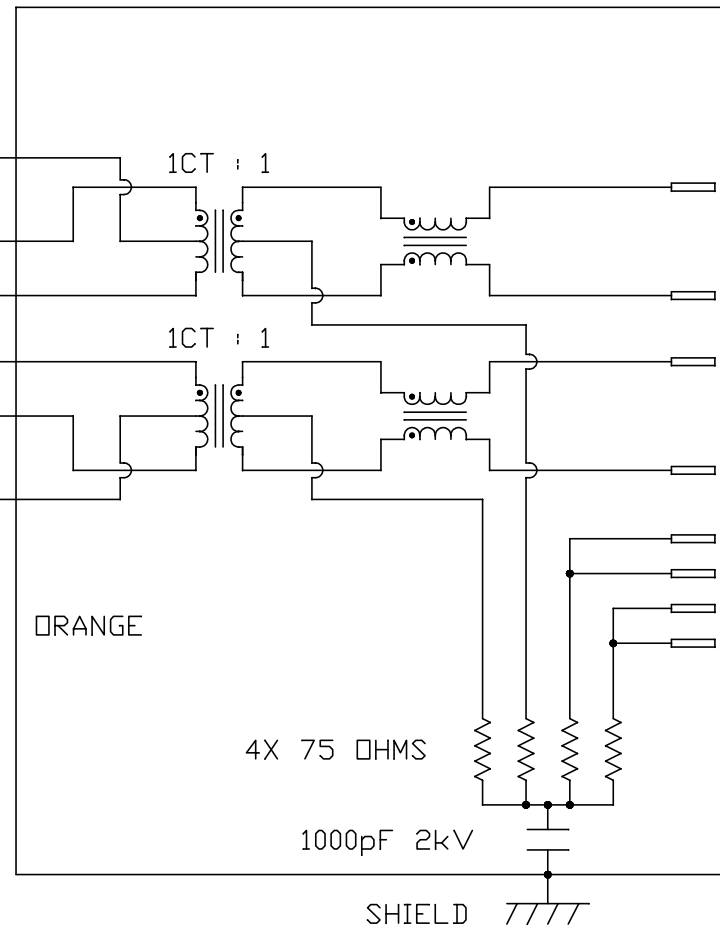
VF (FORWARD VOLTAGE) IF=20mA YELLOW 2.1V TYP.  
 λD (DOMINANT WAVELENGTH) IF=20mA YELLOW 590nm TYP.

**LED 2**

VF (FORWARD VOLTAGE) IF=20mA GREEN 2.2V TYP.  
 ORANGE 2.0V TYP.  
 λD (DOMINANT WAVELENGTH) IF=20mA GREEN 570nm TYP.  
 ORANGE 605nm TYP.



**SCHEMATIC**



RJ45  
 1 TX+  
 2 TX-  
 3 RX+  
 6 RX-  
 4  
 5  
 7  
 8

REV. : E PAGE : 2

ORIGINATED BY  
 CHOW WANCHUNG  
 DATE 2015-01-02  
 DRAWN BY  
 HU XIANG  
 DATE 2015-01-02

TITLE  
 10/100 MagJack®  
 (Ultra Low Profile)  
 PATENTED

PART NO. / DRAWING NO.  
 L829-1X1T-91  
 FILE NAME  
 L829-1X1T-91\_E.DWG

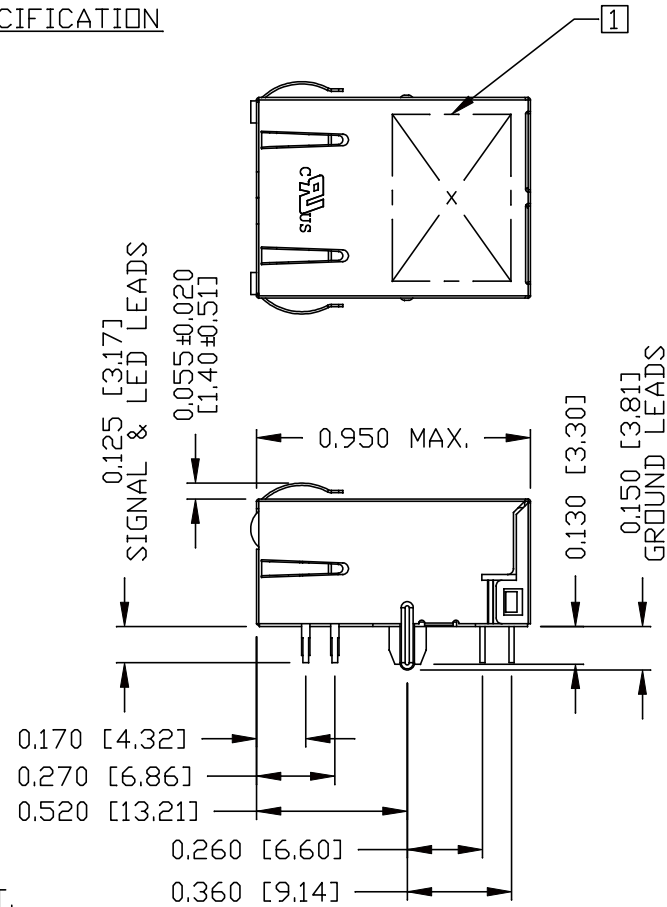
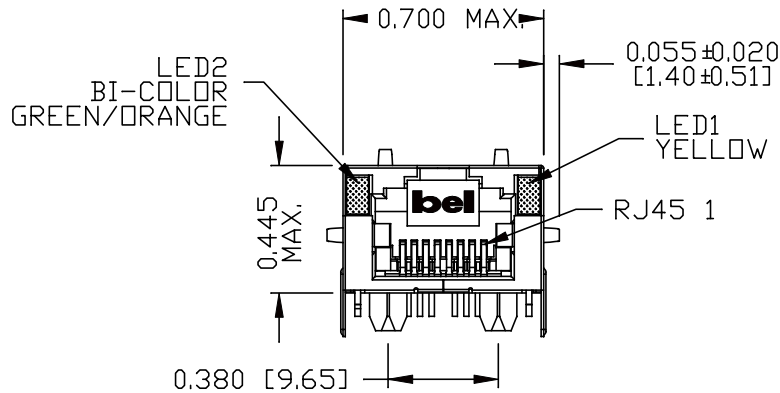
STANDARD DIM. [ ] METRIC DIM.  
 TOL. IN INCH AS REF.  
 .X UNIT : INCH [mm]  
 .XX SCALE : N/A  
 .XXX SIZE : A4



THE INFORMATION CONTAINED HEREIN IS CONSIDERED 'PROPRIETARY' TO BEL FUSE INC. AND SHALL NOT BE COPIED, REPRODUCED OR DISCLOSED WITHOUT THE WRITTEN APPROVAL OF BEL FUSE INC.

MECHANICAL SPECIFICATION

RoHS



NOTES:

- PLASTIC HOUSING: THERMOPLASTIC PA, FLAMMABILITY RATING UL 94V-0
- CONTACTS: 30 MICRO-INCH HARD GOLD PLATING OR EQUIVALENT.
- OUTPUT PINS: TIN-COATED COPPER WIRE, DIA 0.018 INCH.
- METAL SHIELD: NICKEL PLATED ON COPPER ALLOY.  
(ALL GROUND LEADS ARE SOLDER DIPPED)

1. MARK PART WITH MFG. LOGO, MFG. NAME, PART NUMBER AND DATE CODE AND PATENTED.

UL RECOGNIZED - FILE #E196366 AND E169987.  
2. THE PRODUCT IS RoHS COMPLIANT.

3. JACK CAVITY CONFORMS TO FCC RULES AND REGULATIONS.  
4. THE PRODUCT IS PATENT PRODUCT. THE PATENT NUMBER ARE U.S. PAT. 5,736,910 AND U.S. PAT. 6,840,817.

|        |   |        |   |
|--------|---|--------|---|
| REV. : | E | PAGE : | 3 |
|--------|---|--------|---|

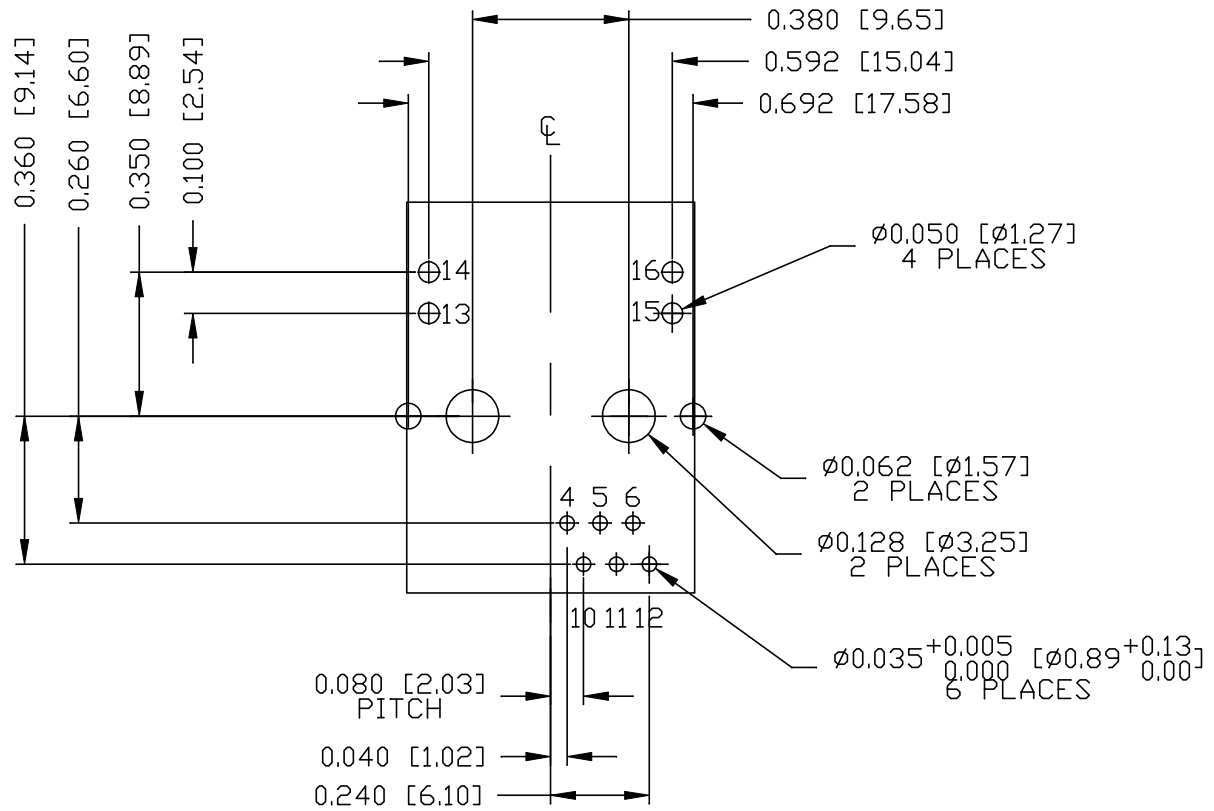
|  |   |  |                               |                            |
|--|---|--|-------------------------------|----------------------------|
| ORIGINATED BY<br>LI QUANKUN<br>DATE 2015-01-02 | TITLE<br>10/100 Magjack®<br>(Ultra Low Profile)<br>PATENTED | PART NO. / DRAWING NO.<br>L829-1X1T-91 | STANDARD DIM.<br>TOL. IN INCH | [ ] METRIC DIM.<br>AS REF. |
|  |   | FILE NAME<br>L829-1X1T-91_E.DWG        | .X<br>/                       | UNIT : INCH [mm]           |
| DRAWN BY<br>ZHANG XUEZHENG<br>DATE 2015-01-02  |   |  | .XX<br>±0.010                 | SCALE : N/A                |
|  |   |  | .XXX                          | SIZE : A4                  |



THE INFORMATION CONTAINED HEREIN IS CONSIDERED "PROPRIETARY" TO BEL FUSE INC. AND SHALL NOT BE COPIED, REPRODUCED OR DISCLOSED WITHOUT THE WRITTEN APPROVAL OF BEL FUSE INC.



RECOMMENDED PCB FOOTPRINT  
COMPONENT SIDE VIEW



REV. : E PAGE : 4

ORIGINATED BY  
LI QUANKUN  
DATE 2015-01-02  
DRAWN BY  
ZHANG XUEZHENG  
DATE 2015-01-02

TITLE  
10/100 Magjack®  
(Ultra Low Profile)  
PATENTED

PART NO. / DRAWING NO.  
L829-1X1T-91  
FILE NAME  
L829-1X1T-91\_E.DWG

|                               |                            |
|-------------------------------|----------------------------|
| STANDARD DIM.<br>TOL. IN INCH | [ ] METRIC DIM.<br>AS REF. |
| .X                            | UNIT : INCH [mm]           |
| .XX                           | SCALE : N/A                |
| .XXX ±0.004                   | SIZE : A4                  |

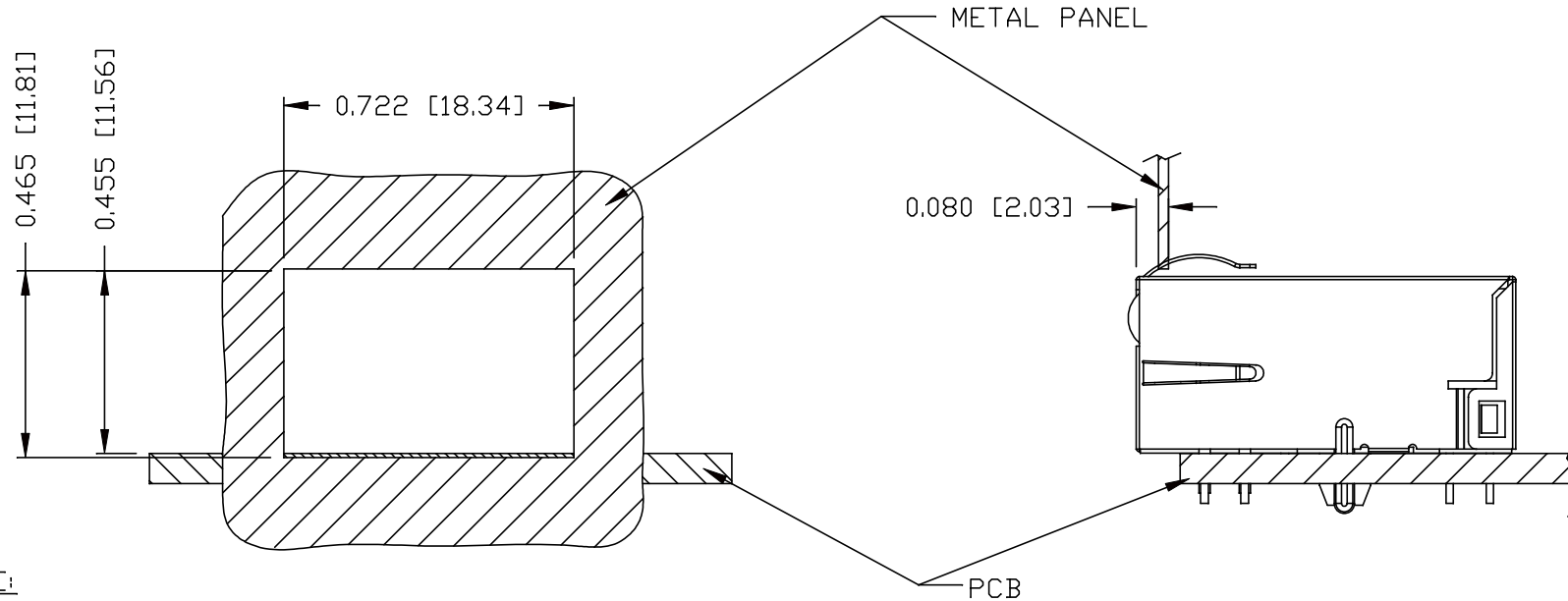


THE INFORMATION CONTAINED HEREIN IS CONSIDERED "PROPRIETARY" TO BEL FUSE INC. AND SHALL NOT BE COPIED, REPRODUCED OR DISCLOSED WITHOUT THE WRITTEN APPROVAL OF BEL FUSE INC.

RoHS



SUGGESTED PANEL OPENING



NOTE:

THE DISTANCE OF PANEL INSIDE SURFACE RELATIVE TO FRONT SURFACE OF PART IS ONLY A SUGGESTION. IN CASE THIS DISTANCE IS DIFFERENT, THE REQUIRED PANEL OPENING DIMENSIONS CHANGE ACCORDINGLY.

TRAY PACKING INFORMATION

PACKING TRAY : 0200-9999-E4 (TOP)

0200-9999-E5 (BOTTOM)

PACKING QUANTITY : 60 PCS FINISHED GOODS PER TRAY

11 TRAYS (660 PCS FINISHED GOODS) PER CARTON BOX

NOTE : CARDBOARDS ARE PLACED BETWEEN LAYERS OF PACKING TRAY INSIDE CARTON BOX (INCLUDE THE UPPERMOST AND LOWERMOST TRAY)

|          |          |
|----------|----------|
| REV. : E | PAGE : 5 |
|----------|----------|

|   |  |   |                                      |   |
|---|--|---|--------------------------------------|---|
| <b>ORIGINATED BY</b><br>LI QUANKUN<br><b>DATE</b> 2015-01-02<br><b>DRAWN BY</b><br>ZHANG XUEZHENG<br><b>DATE</b> 2015-01-02 | <b>TITLE</b><br>10/100 MagJack®<br>(Ultra Low Profile)<br>PATENTED | <b>PART NO. / DRAWING NO.</b><br>L829-1X1T-91 | <b>STANDARD DIM.</b><br>TOL. IN INCH | <input type="checkbox"/> METRIC DIM.<br>AS REF. |
|   |  | <b>FILE NAME</b><br>L829-1X1T-91_E.DWG        | .X<br>.XX<br>.XXX                    | UNIT : INCH [mm]<br>SCALE : N/A<br>SIZE : A4    |
|   |  |   | ±0.004                               |   |



# Mouser Electronics

Authorized Distributor

Click to View Pricing, Inventory, Delivery & Lifecycle Information:

Bel:

[L829-1X1T-91](#)