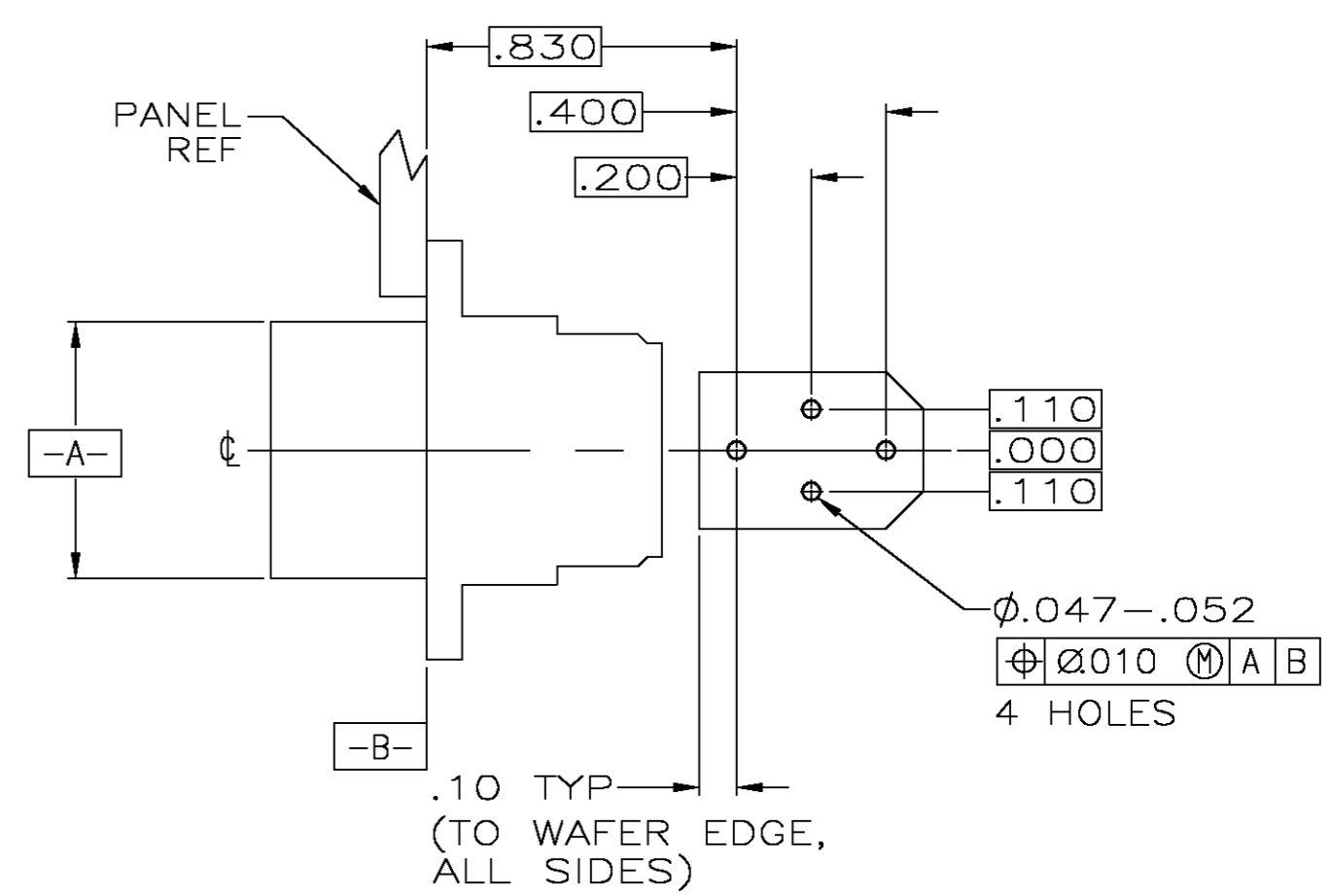
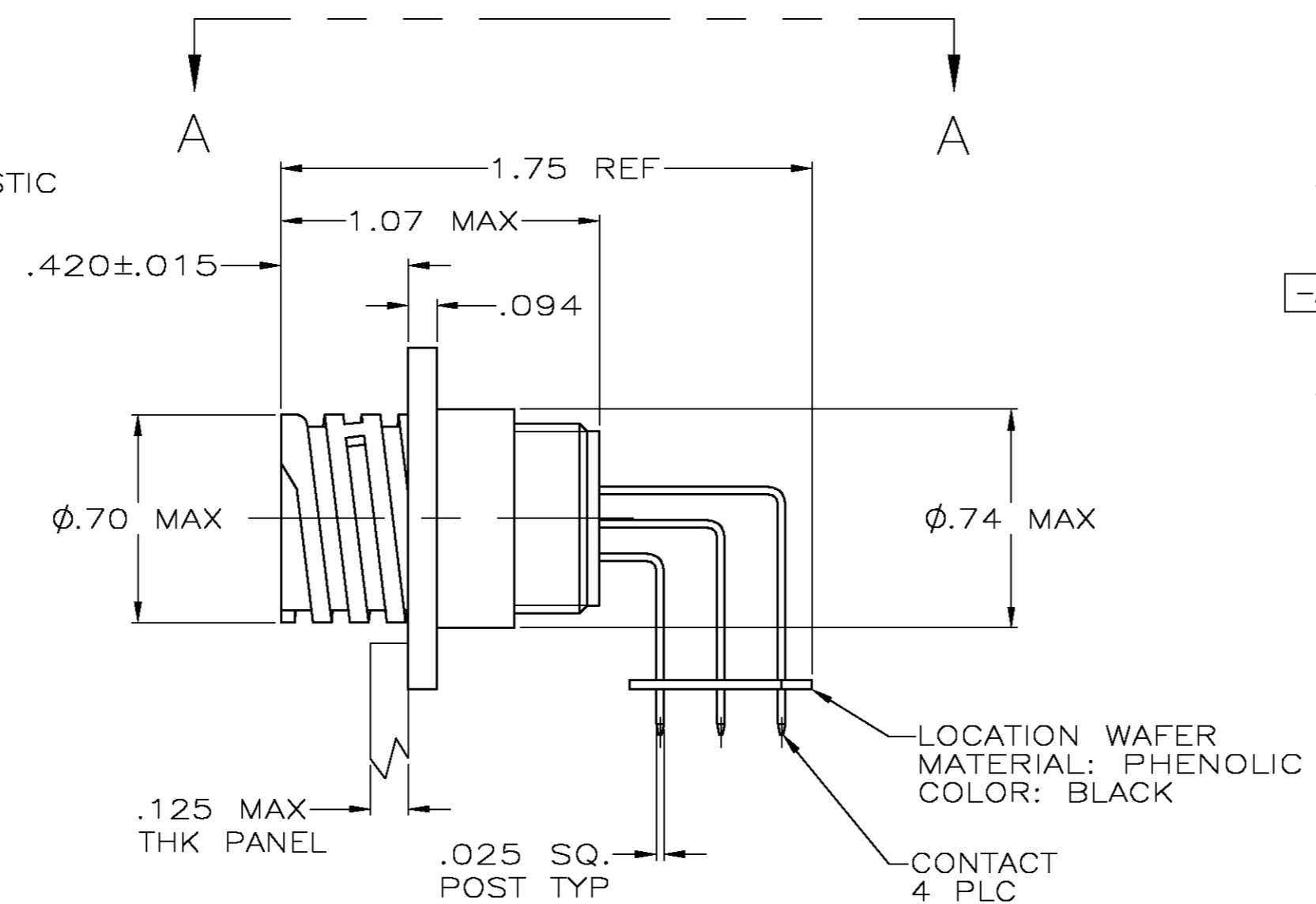
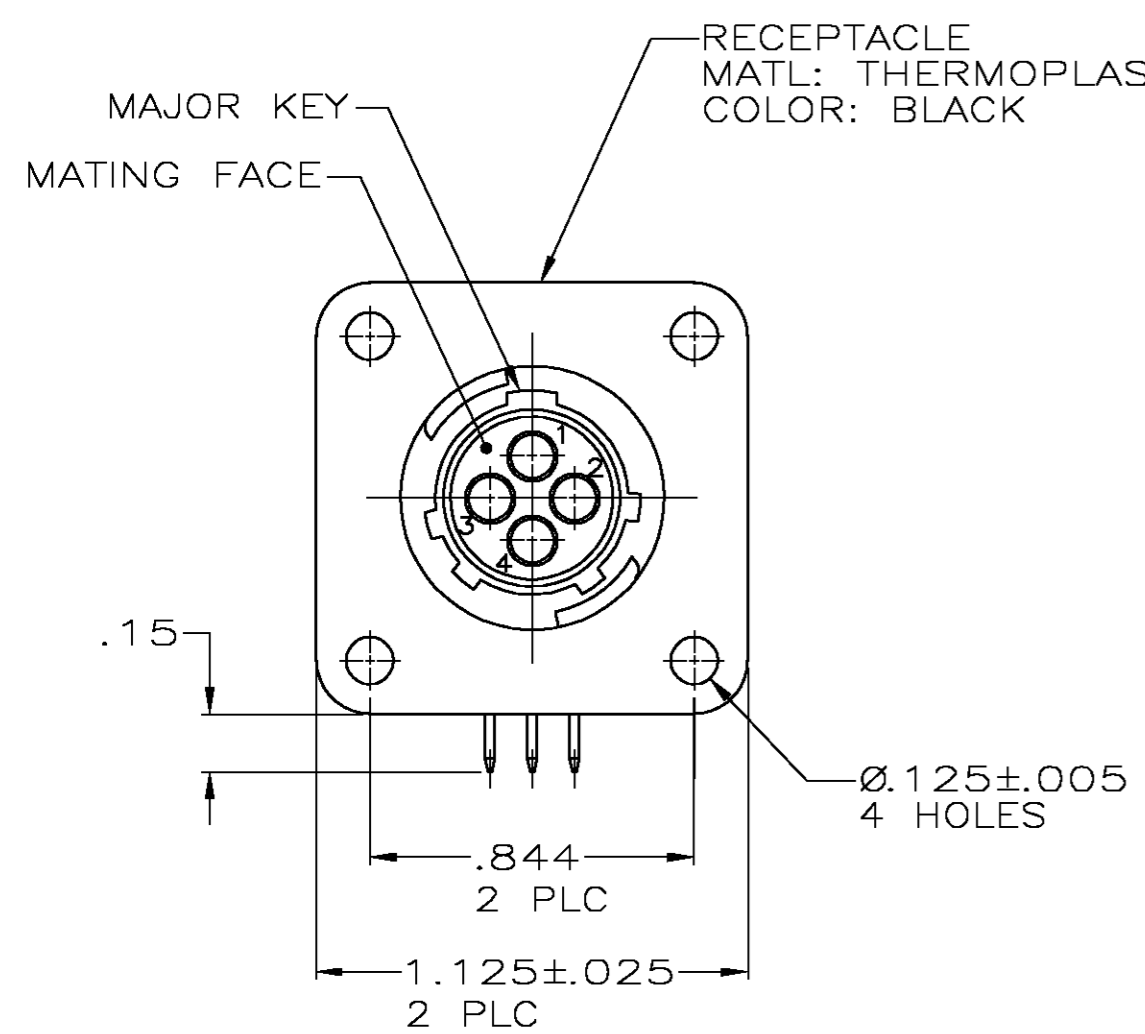
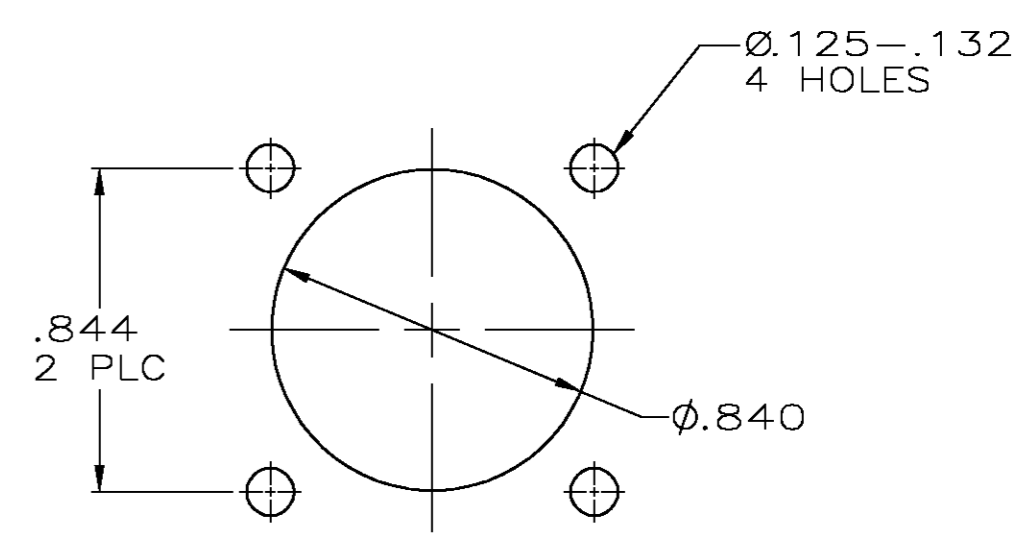


THIS DRAWING IS UNPUBLISHED. RELEASED FOR PUBLICATION
 © COPYRIGHT BY TYCO ELECTRONICS CORPORATION. ALL RIGHTS RESERVED.

LOC		DIST		REVISIONS			
P	LTR	DESCRIPTION	DATE	DWN	APVD		
	B	REVISED PER 0G3B-0100-05	5/4/05	SS	HW		



VIEW A-A
 RECOMMENDED PC BOARD LAYOUT



RECOMMENDED
 PANEL CUTOUT

- CONTACT CAVITIES IDENTIFIED BY CHARACTERS ON FRONT AND REAR FACES OF CONNECTOR.
- #4 FASTENER RECOMMENDED FOR MOUNTING.
- CONTACT BODY: .000030 MIN GOLD FOR A LENGTH OF .200 MIN FROM MATING END, WITH REMAINDER TO BE GOLD FLASH, BOTH OVER .000050 MIN NICKEL.
 CONTACT POST: .000100 MIN TIN-LEAD OVER .000100 MIN COPPER.
- PC BOARD HOLE PATTERN IS DEFINED RELATIVE TO CONNECTOR C.L. AND PANEL MOUNTING FACE INDICATED.
- CONTACT BODY: .000030 MIN GOLD FOR A LENGTH OF .200 MIN FROM MATING END, WITH REMAINDER TO BE GOLD FLASH, BOTH OVER .000050 MIN NICKEL.
 CONTACT POST: .000100 MIN TIN OVER .000100 MIN COPPER.

THIS DRAWING IS A CONTROLLED DOCUMENT.		DWN HAMMER 3-20-00	Tyco Electronics Corporation Harrisburg, Pa 17105-3608	
DIMENSIONS: INCHES		CHK M.CHACKO 3-23-00	NAME RECEPTACLE ASSY, POSTED, RT ANGLE, RVS SEX, SIZE 11-4, SERIES 1, CPC	
TOLERANCES UNLESS OTHERWISE SPECIFIED:		APVD M.CHACKO 3-23-00	SIZE A2	
0 PLC ± -		PRODUCT SPEC	CAGE CODE 00779	DRAWING NO C=796407
1 PLC ± -		APPLICATION SPEC	RESTRICTED TO	
2 PLC ± .03		WEIGHT	-	
3 PLC ± .010		CUSTOMER DRAWING	SCALE 2:1	SHEET 1 OF 1
4 PLC ± -		REV B		
ANGLES ± -				
FINISH				

Mouser Electronics

Authorized Distributor

Click to View Pricing, Inventory, Delivery & Lifecycle Information:

[TE Connectivity:](#)

[796407-1](#)