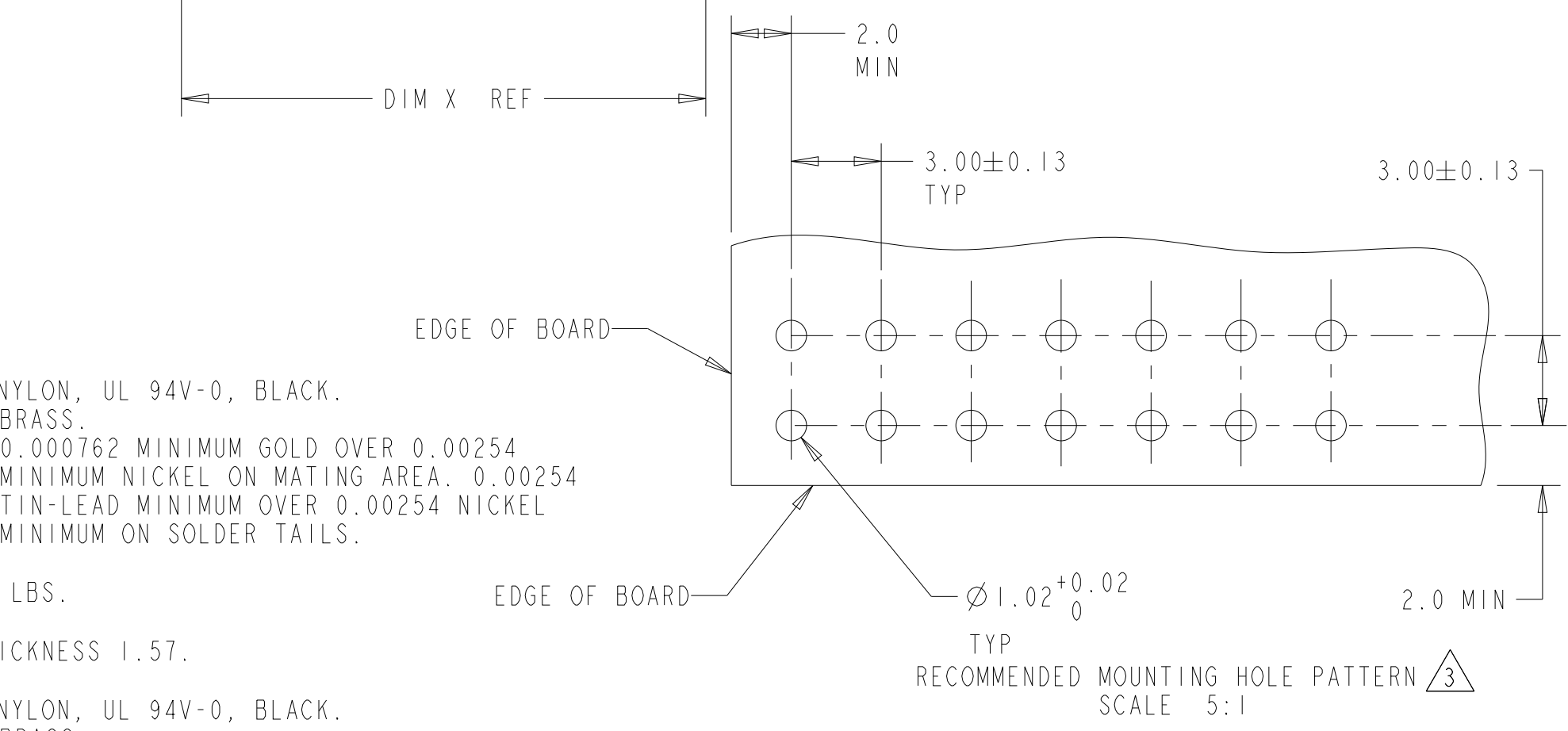
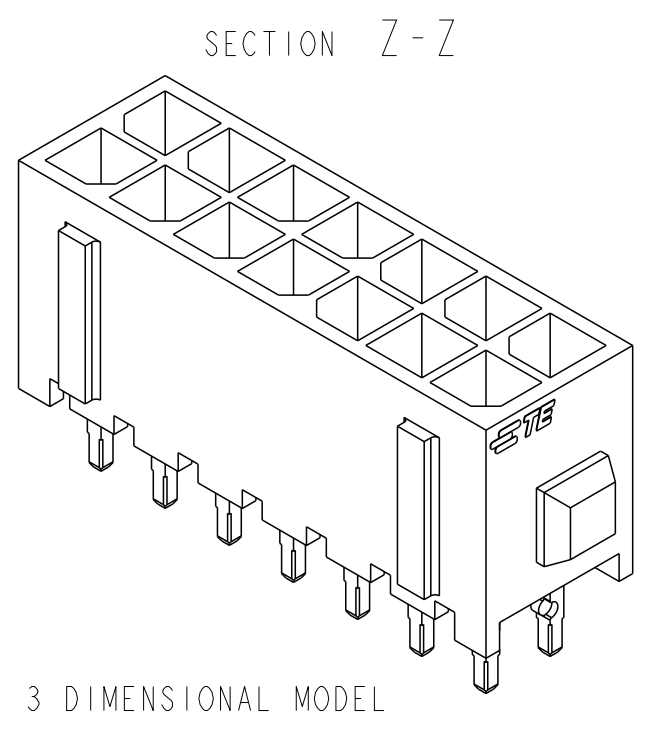
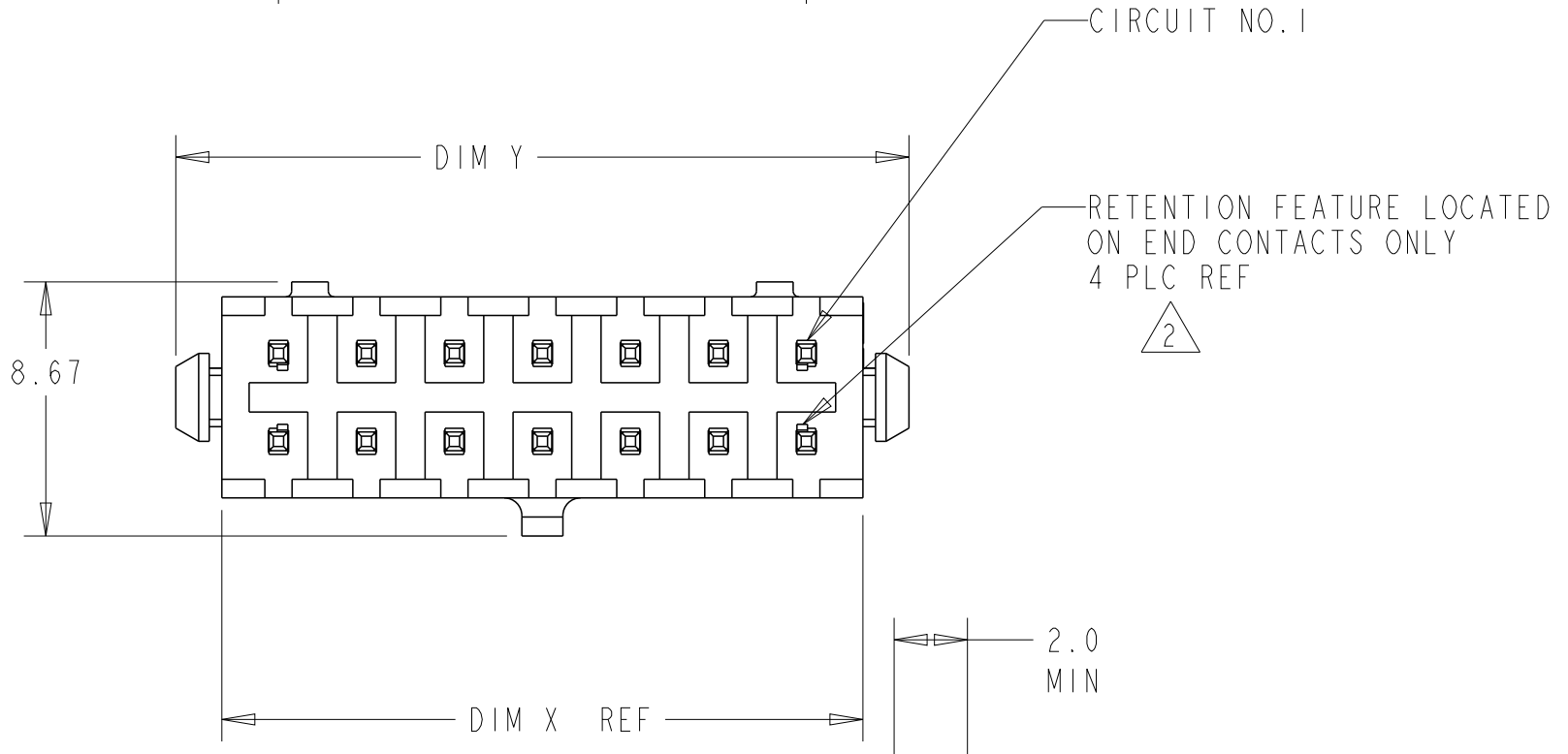
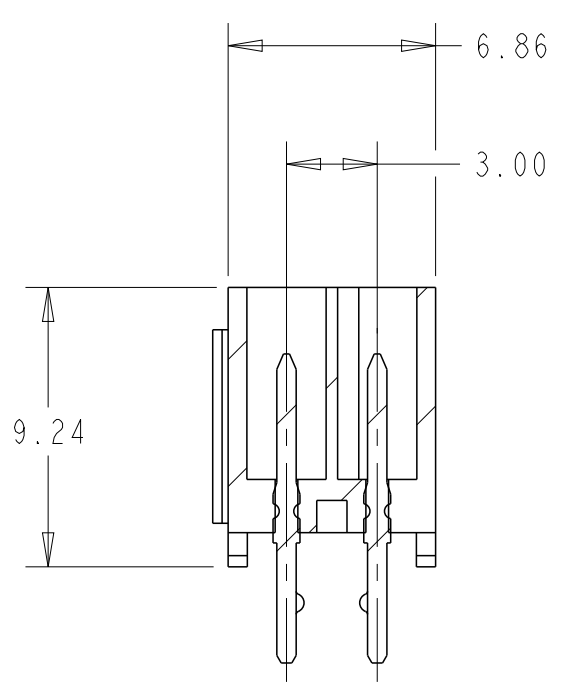
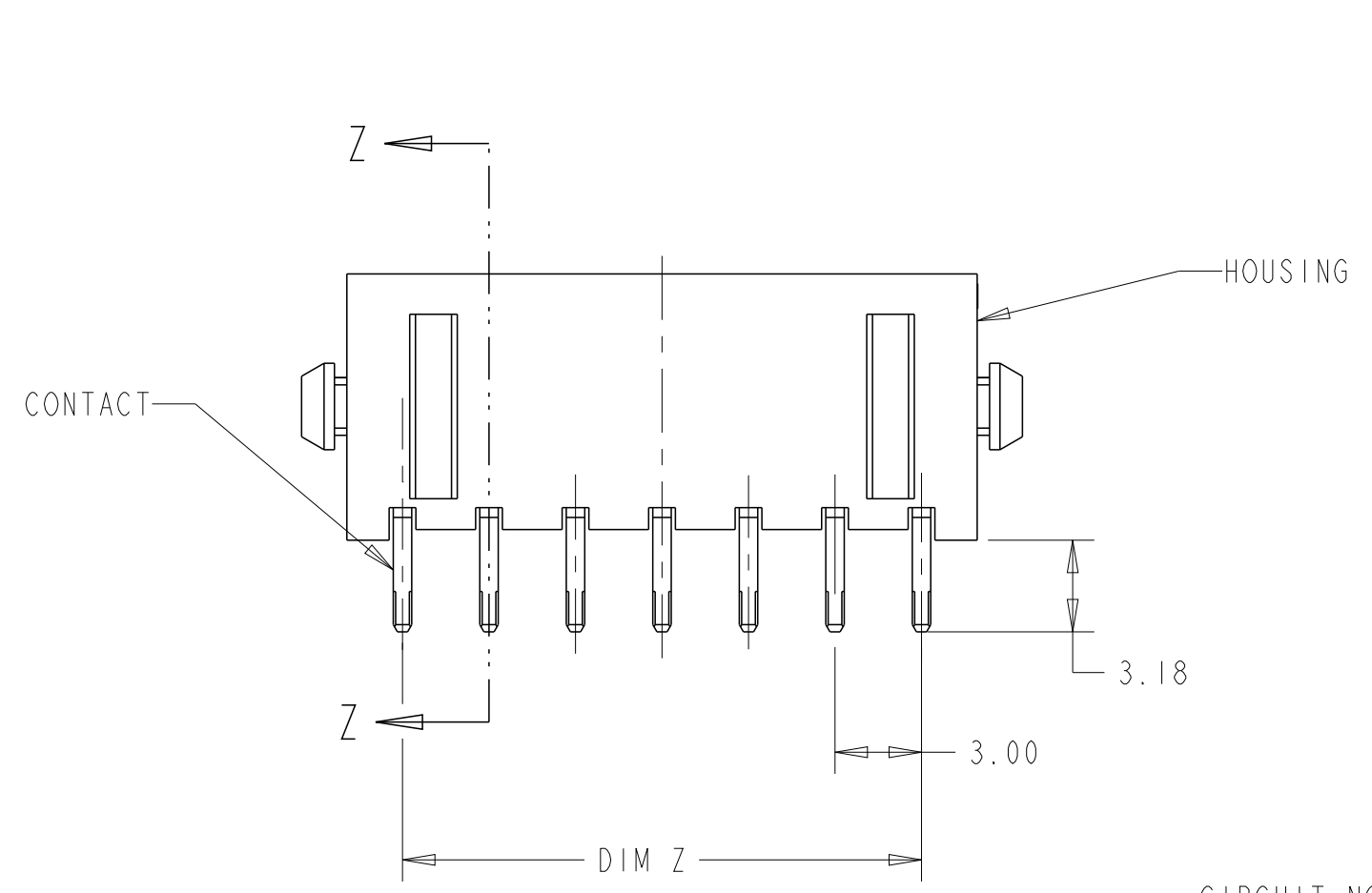


THIS DRAWING IS UNPUBLISHED. RELEASED FOR PUBLICATION
 © COPYRIGHT 20 BY - ALL RIGHTS RESERVED.

REVISIONS					
P	LTR	DESCRIPTION	DATE	DWN	APVD
	EI	REVISED PER ECR-16-011494	21JUN2017	NK	CX



- 1 MATERIAL: HOUSING - NYLON, UL 94V-0, BLACK.
CONTACT - BRASS.
0.000762 MINIMUM GOLD OVER 0.00254
MINIMUM NICKEL ON MATING AREA. 0.00254
TIN-LEAD MINIMUM OVER 0.00254 NICKEL
MINIMUM ON SOLDER TAILS.
- 2 MAXIMUM INSERTION 20 LBS.
- 3 RECOMMENDED BOARD THICKNESS 1.57.
- 4 MATERIAL: HOUSING - NYLON, UL 94V-0, BLACK.
CONTACT - BRASS.
0.000762 MINIMUM GOLD OVER 0.00254
MINIMUM NICKEL ON MATING AREA. 0.00254
MATTE TIN MINIMUM OVER 0.00254 NICKEL
MINIMUM ON SOLDER TAILS.

FINISH	DIM Y	DIM Z	DIM X	NO. OF POSN.	PART NUMBER
4	40.00	33.00	36.86	24	5-794632-4
4	37.00	30.00	33.86	22	5-794632-2
4	34.00	27.00	30.86	20	5-794632-0
4	31.00	24.00	27.86	18	4-794632-8
4	28.00	21.00	24.86	16	4-794632-6
4	25.00	18.00	21.86	14	4-794632-4
4	22.00	15.00	18.86	12	4-794632-2
4	19.00	12.00	15.86	10	4-794632-0
4	16.00	9.00	12.86	8	3-794632-8
4	13.00	6.00	9.86	6	3-794632-6
4	10.00	3.00	6.86	4	3-794632-4
4	7.00	-	3.86	2	3-794632-2
1	40.00	33.00	36.86	24	2-794632-4
1	37.00	30.00	33.86	22	2-794632-2
1	34.00	27.00	30.86	20	2-794632-0
1	31.00	24.00	27.86	18	1-794632-8
1	28.00	21.00	24.86	16	1-794632-6
1	25.00	18.00	21.86	14	1-794632-4
1	22.00	15.00	18.86	12	1-794632-2
1	19.00	12.00	15.86	10	1-794632-0
1	16.00	9.00	12.86	8	794632-8
1	13.00	6.00	9.86	6	794632-6
1	10.00	3.00	6.86	4	794632-4
1	7.00	-	3.86	2	794632-2

THIS DRAWING IS A CONTROLLED DOCUMENT.

DIMENSIONS: mm [INCHES]	TOLERANCES UNLESS OTHERWISE SPECIFIED: 0 PLC ± 1 PLC ± 2 PLC ±0.20 [0.008] 3 PLC ± 4 PLC ± ANGLES ± FINISH	DWN B. HAYMAKER 16AUG99 CHK K. COBLE 16AUG99 APVD K. COBLE 16AUG99	TE Connectivity	
MATERIAL SEE TABLE	SEE TABLE	PRODUCT SPEC APPLICATION SPEC WEIGHT	NAME VERTICAL HEADER ASSEMBLY, THRU HOLE, 30 GOLD, DUAL ROW, MICRO MATE-N-LOK™	
		SIZE A2	CAGE CODE 00779	DRAWING NO. G-794632
		CUSTOMER DRAWING	SCALE 4:1	SHEET OF REV 1 1 EI

Mouser Electronics

Authorized Distributor

Click to View Pricing, Inventory, Delivery & Lifecycle Information:

[TE Connectivity:](#)

[4-794632-2](#)