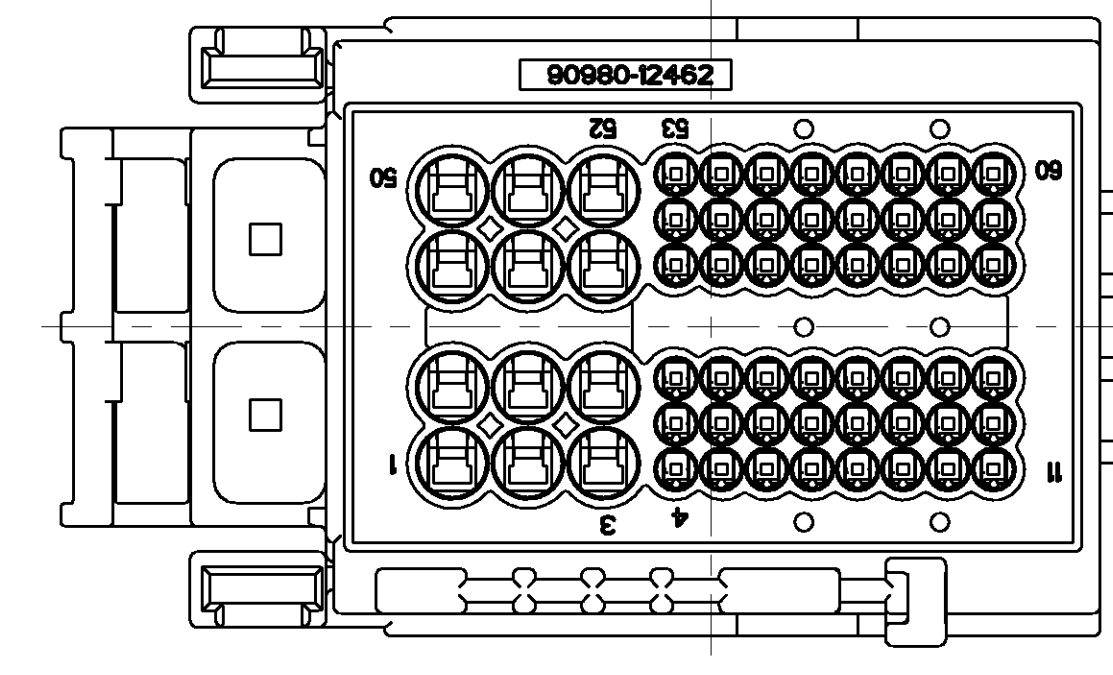
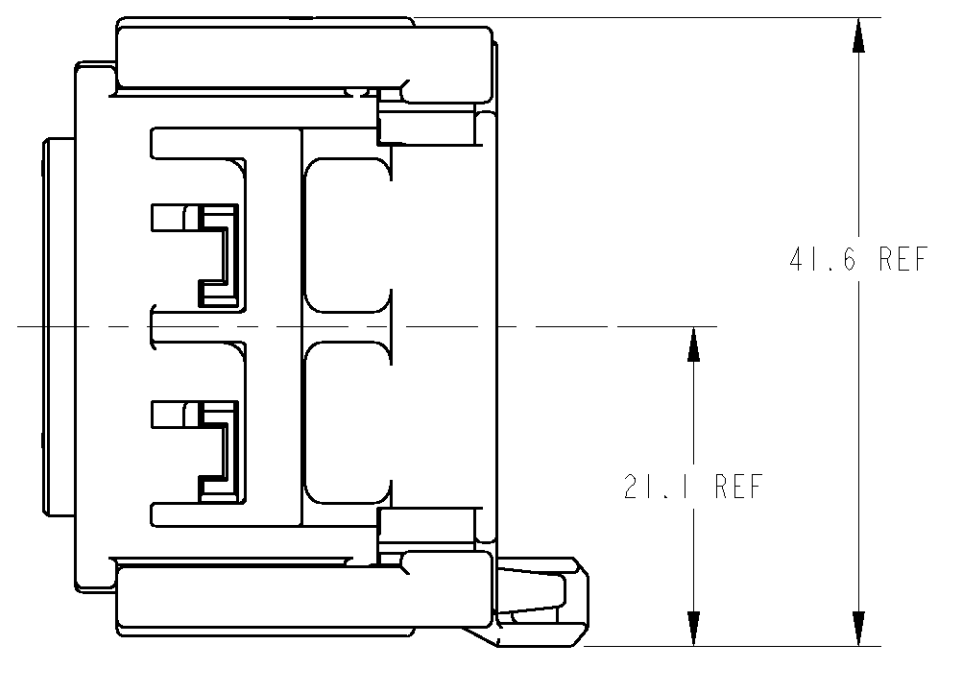
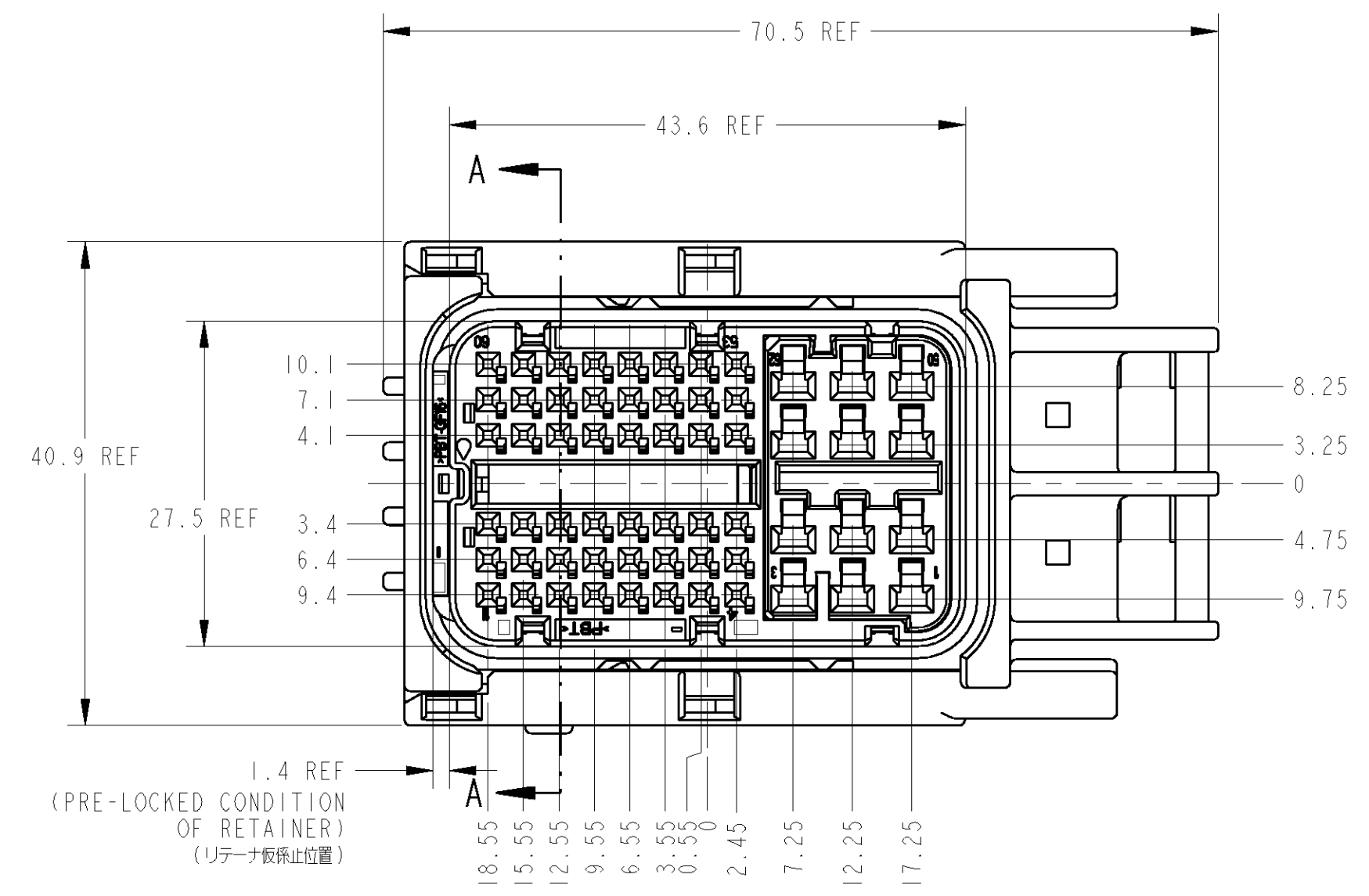
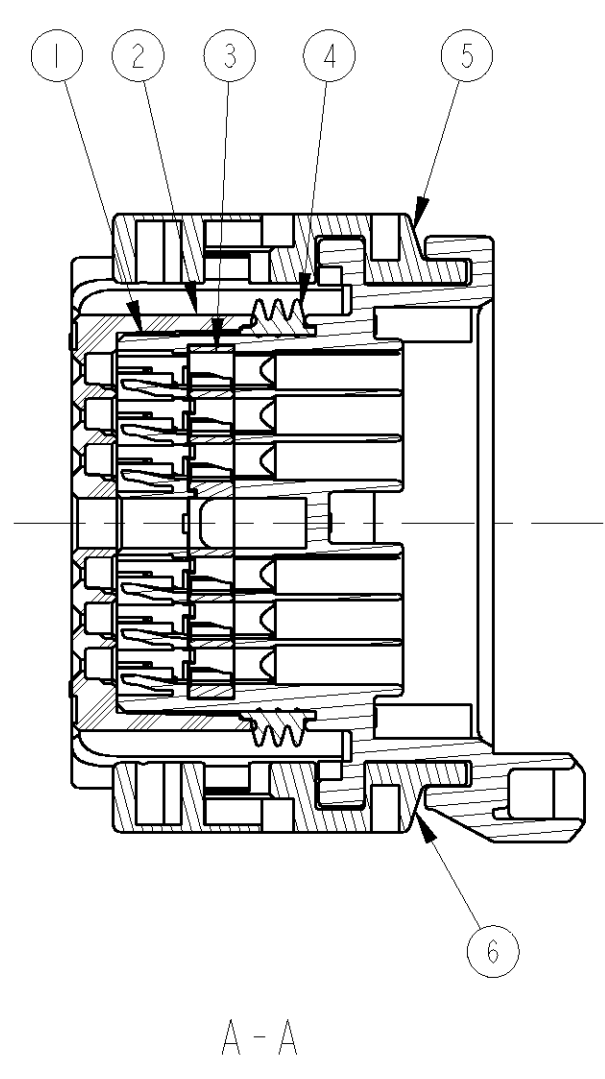
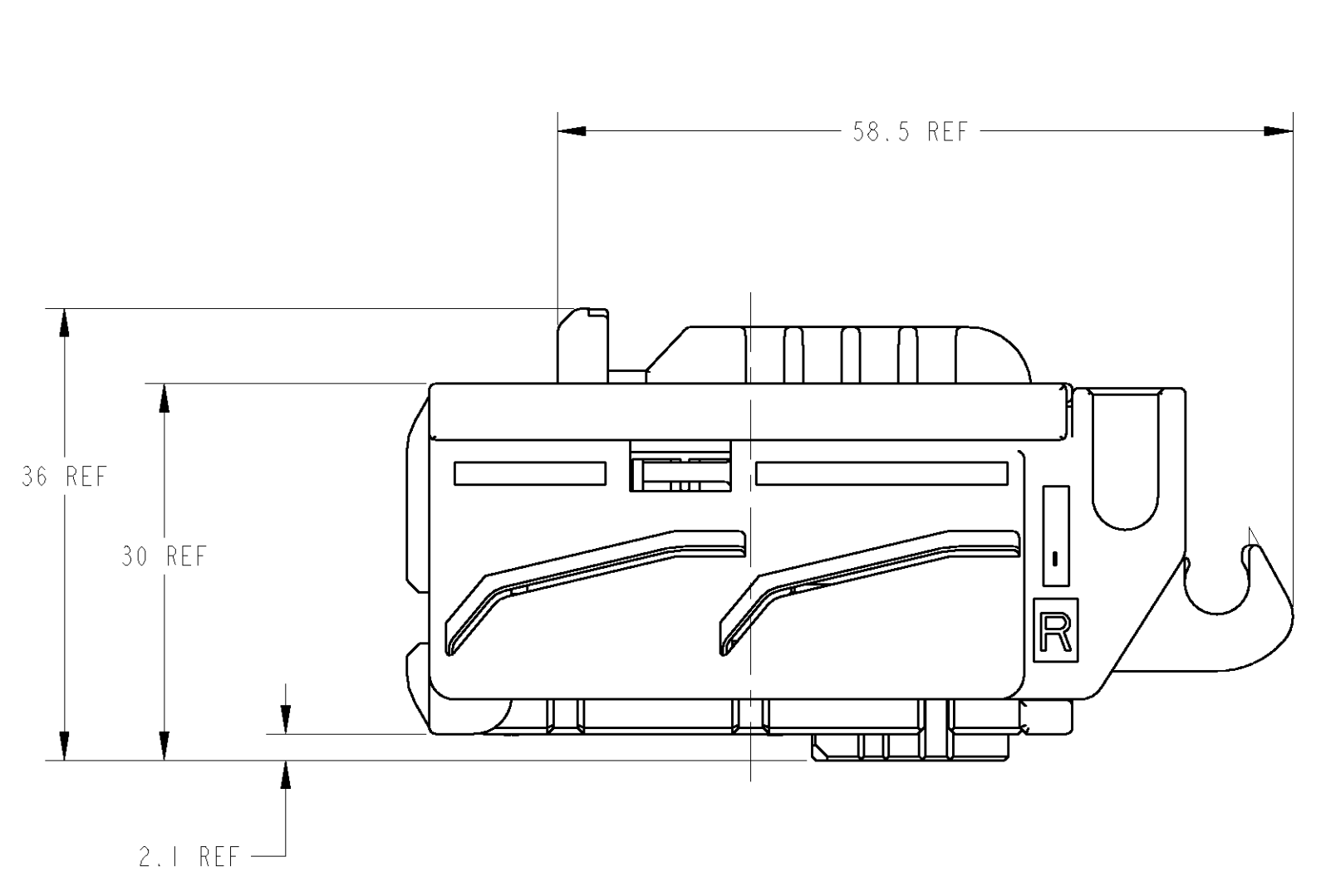


| REV. LTR |   | DESCRIPTION | DATE    | DWN | APVD |
|----------|---|-------------|---------|-----|------|
| J        | - | RELEASED    | 11MAY06 | SS  | KS   |



- MATING CONNECTOR IS:  
P/N:1612272,1717313
  - HANDLING OF THIS PART SHOULD FOLLOW INSTRUCTION SHEET NO.411-78084.
  - COMPONENTS OF THIS PART;SEE TABLE-1
  - THIS PRODUCT IS SHIPPED WITH RETAINER PRE-LOCKED POSITION.
  - ASSEMBLED BY CUSTOMER.  
LEVER P/N FOR SUPPLEMENT:1747142
  - PLEASE USE A WIRE COVER, WHEN YOU CANNOT SECURE THE WORKING SPACE BETWEEN A LEVER AND AN ELECTRIC WIRE.
- 嵌合相手品番  
P/N:1612272,1717313
  - 本製品の取扱は取扱説明書NO.411-78084に従うこと
  - 本製品の構成部品;TABLE-1参照
  - リテーナは取付止め状態で出荷される。
  - レバーは顧客にて組立てされる。  
補給用レバー品番:1747142
  - レバーと電線の隙間(作業スペース)が確保出来ない時はカバーを使用下さい。

| PAPER BOX | OUTER         | PACKING STYLE |                |          |
|-----------|---------------|---------------|----------------|----------|
| ダンボール箱    | 外表            | 梱包形態          |                |          |
| SOFT TRAY | INNER         |               |                |          |
| プラスチックトレイ | 内装            |               |                |          |
| I         | BLACK         | PBT           | SLIDER-L       | 6        |
| I         | BLACK         | PBT           | SLIDER-R       | 5        |
| I         | REDDISH BROWN | SILICONE      | SEAL RING      | 4        |
| I         | NATURAL       | PBT           | RETAINER       | 3        |
| I         | BLACK         | PBT           | FRONT CAV      | 2        |
| I         | BLACK         | PBT           | PLUG HSG 60POS | 1        |
| 1747140-1 | COLOR         | MATERIAL      | NAME           | ITEM NO. |

|                        |  |   |  |                            |  |                           |  |                                |  |  |  |
|------------------------|--|---|--|----------------------------|--|---------------------------|--|--------------------------------|--|--|--|
| DIMENSIONS: mm         |  | TOLERANCES UNLESS OTHERWISE SPECIFIED:<br>mm ±0.3 |  | DWN: S. SHISHIKURA 11MAY06 |  | APVD: K. SAKAMAKI 11MAY06 |  | NAME: S. ISOHATA 11MAY06       |  | tyco Electronics Tyco Electronics AMP K.K. Kawasaki, Japan |  |
| MATERIAL P/N SEE TABLE |  | FINISH SEE TABLE                                  |  | PRODUCT SPEC 108-5891      |  | APPLICATION SPEC 114-5336 |  | SIZE: 0.64/2.311 I/O CONNECTOR |  | RESTRICTED TO  |  |
|                        |  |   |  | WEIGHT: 40 g               |  | DRAWING NO: 00779         |  | C=1747140                      |  | SHEET 2:1 OF 1 REV A                                       |  |
| CUSTOMER DRAWING       |  |   |  |                            |  |                           |  |                                |  |  |  |

# Mouser Electronics

Authorized Distributor

Click to View Pricing, Inventory, Delivery & Lifecycle Information:

[TE Connectivity:](#)

[1747140-1](#)