



Is Now Part of



ON Semiconductor®

To learn more about ON Semiconductor, please visit our website at
www.onsemi.com

Please note: As part of the Fairchild Semiconductor integration, some of the Fairchild orderable part numbers will need to change in order to meet ON Semiconductor's system requirements. Since the ON Semiconductor product management systems do not have the ability to manage part nomenclature that utilizes an underscore (_), the underscore (_) in the Fairchild part numbers will be changed to a dash (-). This document may contain device numbers with an underscore (_). Please check the ON Semiconductor website to verify the updated device numbers. The most current and up-to-date ordering information can be found at www.onsemi.com. Please email any questions regarding the system integration to Fairchild_questions@onsemi.com.

ON Semiconductor and the ON Semiconductor logo are trademarks of Semiconductor Components Industries, LLC dba ON Semiconductor or its subsidiaries in the United States and/or other countries. ON Semiconductor owns the rights to a number of patents, trademarks, copyrights, trade secrets, and other intellectual property. A listing of ON Semiconductor's product/patent coverage may be accessed at www.onsemi.com/site/pdf/Patent-Marking.pdf. ON Semiconductor reserves the right to make changes without further notice to any products herein. ON Semiconductor makes no warranty, representation or guarantee regarding the suitability of its products for any particular purpose, nor does ON Semiconductor assume any liability arising out of the application or use of any product or circuit, and specifically disclaims any and all liability, including without limitation special, consequential or incidental damages. Buyer is responsible for its products and applications using ON Semiconductor products, including compliance with all laws, regulations and safety requirements or standards, regardless of any support or applications information provided by ON Semiconductor. "Typical" parameters which may be provided in ON Semiconductor data sheets and/or specifications can and do vary in different applications and actual performance may vary over time. All operating parameters, including "Typicals" must be validated for each customer application by customer's technical experts. ON Semiconductor does not convey any license under its patent rights nor the rights of others. ON Semiconductor products are not designed, intended, or authorized for use as a critical component in life support systems or any FDA Class 3 medical devices or medical devices with a same or similar classification in a foreign jurisdiction or any devices intended for implantation in the human body. Should Buyer purchase or use ON Semiconductor products for any such unintended or unauthorized application, Buyer shall indemnify and hold ON Semiconductor and its officers, employees, subsidiaries, affiliates, and distributors harmless against all claims, costs, damages, and expenses, and reasonable attorney fees arising out of, directly or indirectly, any claim of personal injury or death associated with such unintended or unauthorized use, even if such claim alleges that ON Semiconductor was negligent regarding the design or manufacture of the part. ON Semiconductor is an Equal Opportunity/Affirmative Action Employer. This literature is subject to all applicable copyright laws and is not for resale in any manner.



July 2014

FOD8316

2.5 A Output Current, IGBT Drive Optocoupler with Desaturation Detection and Isolated Fault Sensing

Features

- High Noise Immunity Characterized by Common Mode Rejection – 35 kV/μs Minimum, $V_{CM} = 1500 V_{PEAK}$
- 2.5 A Peak Output Current Driving Capability for Most 1200 V / 150 A IGBTs
- Optically Isolated Fault Sensing Feedback
- “Soft” IGBT Turn-off
- Built-in IGBT Protection
 - Desaturation Detection
 - Under-Voltage Lockout (UVLO) Protection
- Wide Supply Voltage Range: 15 V to 30 V
 - P-Channel MOSFETs at Output Stage Enables Output Voltage Swing Close to the Supply Rail (Rail-to-Rail Output)
- 3.3 V / 5 V, CMOS/TTL Compatible Inputs
- High Speed
 - 500 ns Maximum Propagation Delay Over Full Operating Temperature Range
- Extended Industrial Temperature Range: –40°C to 100°C
- Safety and Regulatory Approvals
 - UL1577, 4,243 V_{RMS} for 1 Minute
 - DIN EN/IEC 60747-5-5:
 - 1,414 V_{PEAK} Working Insulation Voltage Rating
 - 8,000 V_{PEAK} Transient Isolation Voltage Rating
- R_{DS(ON)} of 1 Ω (Typical) Offers Lower Power Dissipation
- User-Configurable: Inverting, Non-inverting, Auto-reset, Auto-shutdown
- 8 mm Creepage and Clearance Distances

Applications

- Industrial Inverter
- Induction Heating
- Isolated IGBT Drive

Description

The FOD8316 is an advanced 2.5 A output current IGBT drive optocoupler capable of driving most 1200 V / 150 A IGBTs. It is ideally suited for fast-switching driving of power IGBTs and MOSFETs used in motor-control inverter applications and high-performance power systems. The FOD8316 offers critical protection features necessary for preventing fault conditions that lead to destructive thermal runaway of IGBTs.

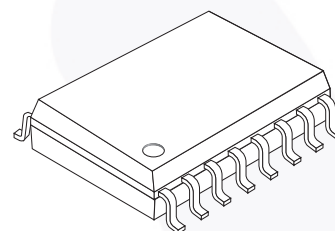
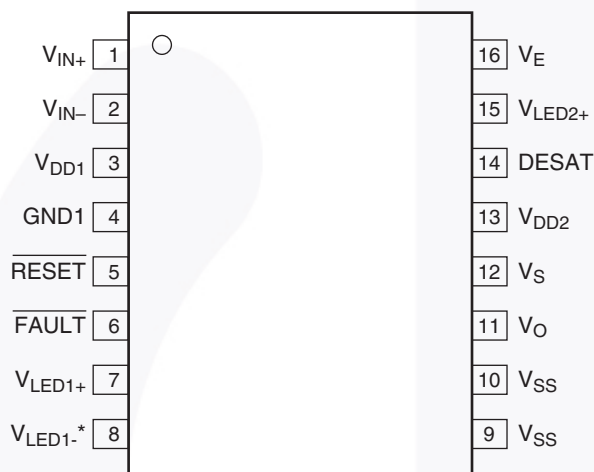
The device utilizes Fairchild's proprietary Optoplanar[®] coplanar packaging technology, and optimized IC design to achieve high noise immunity, characterized by high common-mode rejection and power supply rejection specifications.

The FOD8316 consists of an integrated gate drive optocoupler featuring low R_{DS(ON)} CMOS transistors to drive the IGBT from rail-to-rail and an integrated high-speed isolated feedback for fault sensing. The device is housed in a compact 16-pin small-outline plastic package which meets the 8 mm creepage and clearance requirements.

Truth Table

| V_{IN+} | V_{IN-} | UVLO ($V_{DD2} - V_E$) | DESAT Detected? | $\overline{\text{FAULT}}$ | V_O |
|-----------|-----------|-----------------------------|--------------------|---------------------------|-------|
| X | X | Active | X | X | LOW |
| X | X | X | Yes | LOW | LOW |
| LOW | X | X | X | X | LOW |
| X | HIGH | X | X | X | LOW |
| HIGH | LOW | Not Active | No | HIGH | HIGH |

Pin Configuration



*Pin 8 (V_{LED1-}) is internally connected to Pin 4 (GND1).

Figure 1. Pin Configuration

Pin Definitions

| Pin # | Name | Description |
|-------|---------------------------|---|
| 1 | V_{IN+} | Non-inverting Gate Drive Control Input |
| 2 | V_{IN-} | Inverting Gate-Drive Control Input |
| 3 | V_{DD1} | Positive Input Supply Voltage (3 V to 5.5 V) |
| 4 | GND1 | Input Ground |
| 5 | $\overline{\text{RESET}}$ | FAULT Reset Input |
| 6 | $\overline{\text{FAULT}}$ | Fault Output (Open Drain) |
| 7 | V_{LED1+} | LED 1 Anode (Do not connect. Leave floating.) |
| 8 | V_{LED1-} | LED 1 Cathode (Must be connected to ground.) |
| 9 | V_{SS} | Output Supply Voltage (Negative) |
| 10 | V_{SS} | Output Supply Voltage (Negative) |
| 11 | V_O | Gate-Drive Output Voltage |
| 12 | V_S | Pull-up PMOS Transistor Source |
| 13 | V_{DD2} | Positive Output Supply Voltage |
| 14 | DESAT | Desaturation Voltage Input |
| 15 | V_{LED2+} | LED 2 Anode (Do not connect. Leave floating.) |
| 16 | V_E | Output Supply Voltage / IGBT Emitter |

Block Diagram

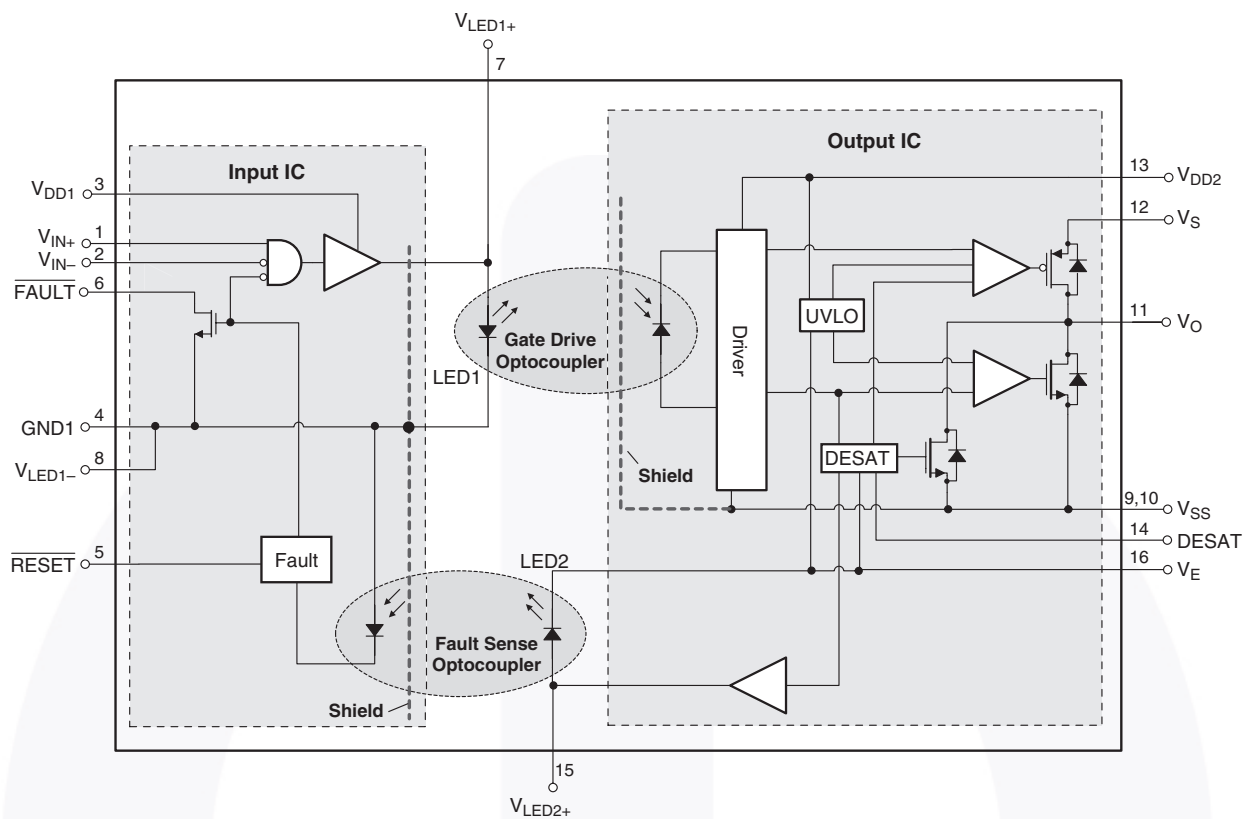


Figure 2. Functional Block Diagram

Safety and Insulation Ratings

As per DIN EN/IEC 60747-5-5, this optocoupler is suitable for “safe electrical insulation” only within the safety limit data. Compliance with the safety ratings must be ensured by means of protective circuits.

| Symbol | Parameter | Min. | Typ. | Max. | Unit |
|-----------------------|--|-----------------|-----------|------|-------------------|
| | Installation Classifications per DIN VDE 0110/1.89 Table 1 | | | | |
| | Rated Mains Voltage < 150 V _{RMS} | | I–IV | | |
| | Rated Mains Voltage < 300 V _{RMS} | | I–IV | | |
| | Rated Mains Voltage < 450 V _{RMS} | | I–IV | | |
| | Rated Mains Voltage < 600 V _{RMS} | | I–IV | | |
| | Rated Mains Voltage < 1000 V _{RMS} | | I–III | | |
| | Climatic Classification | | 40/100/21 | | |
| | Pollution Degree (DIN VDE 0110/1.89) | | 2 | | |
| CTI | Comparative Tracking Index (DIN IEC 112/VDE 0303 Part 1) | 175 | | | |
| V _{PR} | Input-to-Output Test Voltage, Method b, V _{IORM} × 1.875 = V _{PR} , 100% Production Test with t _m = 1 s, Partial Discharge < 5 pC | 2651 | | | V _{peak} |
| | Input-to-Output Test Voltage, Method a, V _{IORM} × 1.6 = V _{PR} , Type and Sample Test with t _m = 10 s, Partial Discharge < 5 pC | 2262 | | | V _{peak} |
| V _{IORM} | Maximum Working Insulation Voltage | 1414 | | | V _{peak} |
| V _{IOTM} | Highest Allowable Over Voltage | 8000 | | | V _{peak} |
| | External Creepage | 8.0 | | | mm |
| | External Clearance | 8.0 | | | mm |
| | Insulation Thickness | 0.5 | | | mm |
| T _{Case} | Safety Limit Values – Maximum Values in Failure; Case Temperature | 150 | | | °C |
| P _{S,INPUT} | Safety Limit Values – Maximum Values in Failure; Input Power | 100 | | | mW |
| P _{S,OUTPUT} | Safety Limit Values – Maximum Values in Failure; Output Power | 600 | | | mW |
| R _{IO} | Insulation Resistance at T _S , V _{IO} = 500 V | 10 ⁹ | | | Ω |

Absolute Maximum Ratings

Stresses exceeding the absolute maximum ratings may damage the device. The device may not function or be operable above the recommended operating conditions and stressing the parts to these levels is not recommended. In addition, extended exposure to stresses above the recommended operating conditions may affect device reliability. The absolute maximum ratings are stress ratings only. $T_A = 25^\circ\text{C}$ unless otherwise specified.

| Symbol | Parameter | Value | Units |
|---------------------------------------|---|---------------------------------|------------------|
| T_{STG} | Storage Temperature | -40 to +125 | $^\circ\text{C}$ |
| T_{OPR} | Operating Temperature | -40 to +100 | $^\circ\text{C}$ |
| T_J | Junction Temperature | -40 to +125 | $^\circ\text{C}$ |
| T_{SOL} | Lead Wave Solder Temperature (no solder immersion) <i>Refer to reflow temperature profile on page 27.</i> | 260 for 10 seconds | $^\circ\text{C}$ |
| I_{FAULT} | Fault Output Current | 15 | mA |
| $I_{O(PEAK)}$ | Peak Output Current ⁽¹⁾ | 3 | A |
| $V_E - V_{SS}$ | Negative Output Supply Voltage ⁽²⁾ | 0 to 15 | V |
| $V_{DD2} - V_E$ | Positive Output Supply Voltage | -0.5 to 35 – ($V_E - V_{SS}$) | V |
| $V_{O(peak)}$ | Gate Drive Output Voltage | -0.5 to 35 | V |
| $V_{DD2} - V_{SS}$ | Output Supply Voltage | -0.5 to 35 | V |
| V_{DD1} | Positive Input Supply Voltage | -0.5 to 6 | V |
| V_{IN+} , V_{IN-} and V_{RESET} | Input Voltages | -0.5 to V_{DD1} | V |
| V_{FAULT} | Fault Pin Voltage | -0.5 to V_{DD1} | V |
| V_S | Source of Pull-up PMOS Transistor Voltage | $V_{SS} + 6.5$ to V_{DD2} | V |
| V_{DESAT} | DESAT Voltage | V_E to $V_E + 11$ | V |
| PD_I | Input Power Dissipation ⁽³⁾⁽⁵⁾ | 100 | mW |
| PD_O | Output Power Dissipation ⁽⁴⁾⁽⁵⁾ | 600 | mW |

Notes:

- Maximum pulse width = 10 μs , maximum duty cycle = 0.2%.
- This negative output supply voltage is optional. It's only needed when negative gate drive is implemented. Refer to "Dual Supply Operation – Negative Bias at V_{SS} " on page 23.
- No derating required across temperature range.
- Derate linearly above 64°C , free air temperature at a rate of 10.2 mW/ $^\circ\text{C}$
- Functional operation under these conditions is not implied. Permanent damage may occur if the device is subjected to conditions outside these ratings.

Recommended Operating Conditions

The Recommended Operating Conditions table defines the conditions for actual device operation. Recommended operating conditions are specified to ensure optimal performance to the datasheet specifications. Fairchild does not recommend exceeding them or designing to absolute maximum ratings.

| Symbol | Parameter | Min. | Max. | Unit |
|--------------------|---|----------------|-----------------------|------------------|
| T_A | Ambient Operating Temperature | -40 | +100 | $^\circ\text{C}$ |
| V_{DD1} | Input Supply Voltage ⁽⁶⁾ | 3 | 5.5 | V |
| $V_{DD2} - V_{SS}$ | Total Output Supply Voltage | 15 | 30 | V |
| $V_E - V_{SS}$ | Negative Output Supply Voltage | 0 | 15 | V |
| $V_{DD2} - V_E$ | Positive Output Supply Voltage ⁽⁶⁾ | 15 | $30 - (V_E - V_{SS})$ | V |
| V_S | Source of Pull-up PMOS Transistor Voltage | $V_{SS} + 7.5$ | V_{DD2} | V |

Note:

- During power up or down, it is important to ensure that V_{IN+} remains low until both the input and output supply voltages reaches the proper recommended operating voltages to avoid any momentary instability at the output state. See also the discussion in the "Time to Good Power" section on page 23.

Isolation Characteristics

Apply over all recommended conditions, typical value is measured at $T_A = 25^\circ\text{C}$

| Symbol | Parameter | Conditions | Min. | Typ. | Max. | Units |
|-----------|--------------------------------|--|-------|-----------|------|-----------|
| V_{ISO} | Input-Output Isolation Voltage | $T_A = 25^\circ\text{C}$, Relative Humidity < 50%, $t = 1.0$ minute, $I_{I-O} \leq 10 \mu\text{A}$, 50 Hz ⁽⁷⁾⁽⁸⁾⁽⁹⁾ | 4,243 | | | V_{RMS} |
| R_{ISO} | Isolation Resistance | $V_{I-O} = 500 \text{ V}^{(7)}$ | | 10^{11} | | Ω |
| C_{ISO} | Isolation Capacitance | $V_{I-O} = 0 \text{ V}$, Freq = 1.0 MHz ⁽⁷⁾ | | 1 | | pF |

Notes:

- Device is considered a two terminal device: pins 1 to 8 are shorted together and pins 9 to 16 are shorted together.
- 4,243 VRMS for 1-minute duration is equivalent to 5,091 VRMS for 1-second duration.
- The input-output isolation voltage is a dielectric voltage rating as per UL1577. It should not be regarded as an input-output continuous voltage rating. For the continuous working voltage rating refer to your equipment-level safety specification or DIN EN/IEC 60747-5-5 Safety and Insulation Ratings Table.

Electrical Characteristics

Apply over all recommended conditions, typical value is measured at $V_{DD1} = 5\text{V}$, $V_{DD2} - V_{SS} = 30\text{V}$, $V_E - V_{SS} = 0\text{V}$, and $T_A = 25^\circ\text{C}$; unless otherwise specified.

| Symbol | Parameter | Conditions | Min. | Typ. | Max. | Units | Figure |
|----------------------------------|---|--|-----------------------|-----------------------|-------|---------------|------------|
| $V_{IN+L}, V_{IN-L}, V_{RESETL}$ | Logic Low Input Voltages | | | | 0.8 | V | |
| $V_{IN+H}, V_{IN-H}, V_{RESETH}$ | Logic High Input Voltages | | 2.0 | | | V | |
| $I_{IN+L}, I_{IN-L}, I_{RESETL}$ | Logic Low Input Currents | $V_{IN} = 0.4 \text{ V}$ | -0.5 | -0.001 | | mA | |
| I_{FAULTL} | $\overline{\text{FAULT}}$ Logic Low Output Current | $V_{FAULT} = 0.4 \text{ V}$ | 5.0 | 12.0 | | mA | 3, 34 |
| I_{FAULTH} | $\overline{\text{FAULT}}$ Logic High Output Current | $V_{FAULT} = V_{DD1}$ | -40 | 0.002 | | μA | 34 |
| I_{OH} | High Level Output Current | $V_O = V_{DD2} - 3 \text{ V}$ | -1 | -3 | | A | 4, 9, 35 |
| | | $V_O = V_{DD2} - 6 \text{ V}^{(10)}$ | -2.5 | | | A | |
| I_{OL} | Low Level Output Current | $V_O = V_{SS} + 3 \text{ V}$ | 1 | 3 | | A | 5, 36 |
| | | $V_O = V_{SS} + 6 \text{ V}^{(11)}$ | 2.5 | | | A | |
| I_{OLF} | Low Level Output Current During Fault Condition | $V_O - V_{SS} = 14 \text{ V}$ | 90 | 185 | 230 | mA | 6, 40 |
| V_{OH} | High Level Output Voltage | $I_O = -100 \text{ mA}^{(12)(13)(14)}$ | $V_S - 1.0 \text{ V}$ | $V_S - 0.5 \text{ V}$ | | V | 7, 9, 37 |
| V_{OL} | Low Level Output Voltage | $I_O = 100 \text{ mA}$ | | 0.1 | 0.5 | V | 8, 10, 37 |
| I_{DD1H} | High Level Supply Current | $V_{IN+} = V_{DD1} = 5.5 \text{ V}$, $V_{IN-} = 0 \text{ V}$ | | 14 | 17 | mA | 11, 38 |
| I_{DD1L} | Low Level Supply Current | $V_{IN+} = V_{IN-} = 0 \text{ V}$, $V_{DD1} = 5.5 \text{ V}$ | | 2 | 3 | mA | |
| I_{DD2H} | High Level Output Supply Current | $V_O = \text{Open}^{(14)}$ | | 1 | 3 | mA | 12, 13, 39 |
| I_{DD2L} | Low Level Output Supply Current | $V_O = \text{Open}$ | | 0.8 | 2.8 | mA | |
| I_{SH} | High Level Source Current | $I_O = 0 \text{ mA}$ | | 0.65 | 1.5 | mA | 39 |
| I_{SL} | Low Level Source Current | $I_O = 0 \text{ mA}$ | | 0.6 | 1.4 | mA | 39 |
| I_{EL} | V_E Low Level Supply Current | | -0.5 | -0.2 | | mA | 15, 39 |
| I_{EH} | V_E High Level Supply Current | | -0.5 | -0.25 | | mA | |
| I_{CHG} | Blanking Capacitor Charge Current | $V_{DESAT} = 2 \text{ V}^{(14)(15)}$ | -0.13 | -0.25 | -0.37 | mA | 14, 40 |

Electrical Characteristics (Continued)

Apply over all recommended conditions, typical value is measured at $V_{DD1} = 5\text{ V}$, $V_{DD2} - V_{SS} = 30\text{ V}$, $V_E - V_{SS} = 0\text{ V}$, and $T_A = 25^\circ\text{C}$; unless otherwise specified.

| Symbol | Parameter | Conditions | Min. | Typ. | Max. | Units | Figure |
|--------------|---|---|------|------|------|-------|------------|
| I_{DSCHG} | Blanking Capacitor Discharge Current | $V_{DESAT} = 7\text{ V}$ | 10 | 36 | | mA | 40 |
| V_{UVLO+} | Under Voltage Lockout Threshold ⁽¹⁴⁾ | $V_O > 5\text{ V @ } 25^\circ\text{C}$ | | 11.5 | 13.5 | V | 17, 31, 41 |
| V_{UVLO-} | | $V_O < 5\text{ V @ } 25^\circ\text{C}$ | 9 | 10 | | V | |
| $UVLO_{HYS}$ | Under Voltage Lockout Threshold Hysteresis | @ 25°C | 0.4 | 1.5 | | V | |
| V_{DESAT} | DESAT Threshold ⁽¹⁴⁾ | $V_{DD2} - V_E > V_{UVLO-}$, $V_O < 5\text{ V}$ | 6.0 | 7.0 | 9.0 | V | 18, 40 |

Notes:

- Maximum pulse width = 10 μs , maximum duty cycle = 0.2%.
- Maximum pulse width = 4.99 ms, maximum duty cycle = 99.8%.
- V_{OH} is measured with the DC load current in this testing (Maximum pulse width = 1 ms, maximum duty cycle = 20%). When driving capacitive loads, V_{OH} will approach V_{DD} as I_{OH} approaches zero units.
- Positive output supply voltage ($V_{DD2} - V_E$) should be at least 15 V to ensure adequate margin in excess of the maximum under-voltage lockout threshold, V_{UVLO+} , of 13.5 V.
- When $V_{DD2} - V_E > V_{UVLO}$ and output state V_O is allowed to go high, the DESAT detection feature is active and provides the primary source of IGBT protection. UVLO is needed to ensure DESAT detection is functional.
- The blanking time, t_{BLANK} , is adjustable by an external capacitor (C_{BLANK}), where $t_{BLANK} = C_{BLANK} \times (V_{DESAT} / I_{CHG})$.

Switching Characteristics

Apply over all recommended conditions, typical value is measured at $V_{DD1} = 5\text{ V}$, $V_{DD2} - V_{SS} = 30\text{ V}$, $V_E - V_{SS} = 0\text{ V}$, and $T_A = 25^\circ\text{C}$; unless otherwise specified.

| Symbol | Parameter | Conditions | Min. | Typ. | Max. | Units | Figure | |
|--------------------|---|--|---|------|------|-------|--------------------------------|----------------|
| t_{PHL} | Propagation Delay Time to Logic Low Output ⁽¹⁷⁾ | $R_g = 10\ \Omega$, $C_g = 10\text{ nF}$, $f = 10\text{ kHz}$, Duty Cycle = 50% ⁽¹⁶⁾ | | 300 | 500 | ns | 19, 20, 21, 22, 23, 24, 42, 50 | |
| t_{PLH} | Propagation Delay Time to Logic High Output ⁽¹⁸⁾ | | | 250 | 500 | ns | | |
| PWD | Pulse Width Distortion, $ t_{PHL} - t_{PLH} $ ⁽¹⁹⁾ | | | | 50 | 300 | ns | |
| PDD Skew | Propagation Delay Difference Between Any Two Parts or Channels, $(t_{PHL} - t_{PLH})$ ⁽²⁰⁾ | | | -350 | | 350 | ns | |
| t_R | Output Rise Time (10% to 90%) | | | | 34 | | ns | 42, 50 |
| t_F | Output Fall Time (90% to 10%) | | | | 34 | | ns | |
| $t_{DESAT(90\%)}$ | DESAT Sense to 90% V_O Delay ⁽²¹⁾ | | $R_g = 10\ \Omega$, $C_g = 10\text{ nF}$, $V_{DD2} - V_{SS} = 30\text{ V}$ | | 850 | | ns | 25, 43 |
| $t_{DESAT(10\%)}$ | DESAT Sense to 10% V_O Delay ⁽²¹⁾ | | | | 2 | 3 | μs | 26, 28, 29, 43 |
| $t_{DESAT(FAULT)}$ | DESAT Sense to Low Level $\overline{\text{FAULT}}$ Signal Delay ⁽²²⁾ | | | | 1.8 | 5 | μs | 27, 43, 51 |
| $t_{DESAT(LOW)}$ | DESAT Sense to DESAT Low Propagation Delay ⁽²³⁾ | | | | 850 | | ns | 43 |
| $t_{RESET(FAULT)}$ | $\overline{\text{RESET}}$ to High Level $\overline{\text{FAULT}}$ Signal Delay ⁽²⁴⁾ | | | 3 | 6 | 20 | μs | 30, 44, 51 |
| PW_{RESET} | $\overline{\text{RESET}}$ Signal Pulse Width | | | 1.2 | | | μs | |

Switching Characteristics (Continued)

Apply over all recommended conditions, typical value is measured at $V_{DD1} = 5\text{ V}$, $V_{DD2} - V_{SS} = 30\text{ V}$, $V_E - V_{SS} = 0\text{ V}$, and $T_A = 25^\circ\text{C}$; unless otherwise specified.

| Symbol | Parameter | Conditions | Min. | Typ. | Max. | Units | Figure |
|-----------------|---|---|------|------|------|-------------------------|---------------|
| $t_{UVLO\ ON}$ | UVLO Turn On Delay ⁽²⁵⁾ | $V_{DD2} = 20\text{ V}$ in 1.0ms Ramp | | 4 | | μs | 31, 45 |
| $t_{UVLO\ OFF}$ | UVLO Turn Off Delay ⁽²⁶⁾ | | | 3 | | μs | |
| t_{GP} | Time to Good Power ⁽²⁷⁾ | $V_{DD2} = 0$ to 30 V in 10 μs Ramp | | 30 | | μs | 32, 33, 45 |
| $ CM_H $ | Common Mode Transient Immunity at Output High | $T_A = 25^\circ\text{C}$, $V_{DD1} = 5\text{ V}$, $V_{DD2} = 25\text{ V}$, $V_{SS} = \text{Ground}$, $V_{CM} = 1500\text{Vpk}$ ⁽²⁸⁾ | 35 | 50 | | $\text{kV}/\mu\text{s}$ | 47, 48 |
| $ CM_L $ | Common Mode Transient Immunity at Output Low | $T_A = 25^\circ\text{C}$, $V_{DD1} = 5\text{ V}$, $V_{DD2} = 25\text{ V}$, $V_{SS} = \text{Ground}$, $V_{CM} = 1500\text{Vpk}$ ⁽²⁹⁾ | 35 | 50 | | $\text{kV}/\mu\text{s}$ | 46, 49 |

Notes:

16. This load condition approximates the gate load of a 1200 V / 150 A IGBT.
17. Propagation delay t_{PHL} is measured from the 50% level on the falling edge of the input pulse (V_{IN+} , V_{IN-}) to the 50% level of the falling edge of the V_O signal. Refer to Figure 50.
18. Propagation delay t_{PLH} is measured from the 50% level on the rising edge of the input pulse (V_{IN+} , V_{IN-}) to the 50% level of the rising edge of the V_O signal. Refer to Figure 50.
19. PWD is defined as $|t_{PHL} - t_{PLH}|$ for any given device.
20. The difference between t_{PHL} and t_{PLH} between any two FOD8316 parts under same operating conditions with equal loads.
21. This is the amount of time the DESAT threshold must be exceeded before V_O begins to go LOW. This is supply voltage dependent. See Figure 51.
22. This is the amount of time from when the DESAT threshold is exceeded, until the FAULT output goes LOW. See Figure 51.
23. The length of time the DESAT threshold must be exceeded before V_O begins to go LOW, and the FAULT output begins to go LOW. See Figure 51.
24. The length of time from when RESET is asserted LOW, until FAULT output goes HIGH. See Figure 51.
25. The UVLO turn-on delay, $t_{UVLO\ ON}$, is measured from V_{UVLO+} threshold voltage of the output supply voltage (V_{DD2}) to the 5 V level of the rising edge of the V_O signal.
26. The UVLO turn-off delay, $t_{UVLO\ OFF}$, is measured from V_{UVLO-} threshold voltage of the output supply voltage (V_{DD2}) to the 5 V level of the falling edge of the V_O signal.
27. The time to good power, t_{GP} , is measured from 13.5 V level of the rising edge of the output supply voltage (V_{DD2}) to the 5 V level of the rising edge of the V_O signal.
28. Common-mode transient immunity at output HIGH state is the maximum tolerable negative dV_{CM}/dt on the trailing edge of the common-mode pulse, V_{CM} , to assure the output will remain in HIGH state (i.e., $V_O > 15\text{ V}$ or $\text{FAULT} > 2\text{ V}$).
29. Common-mode transient immunity at output LOW state is the maximum positive tolerable dV_{CM}/dt on the leading edge of the common-mode pulse, V_{CM} , to assure the output will remain in LOW state (i.e., $V_O < 1.0\text{ V}$ or $\text{FAULT} < 0.8\text{ V}$).

Typical Performance Characteristics

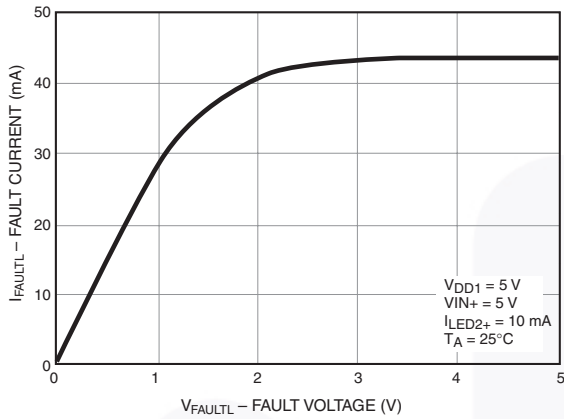


Figure 3. Fault Logic Low Output Current (I_{FAULTL}) vs. Fault Logic Low Output Voltage (V_{FAULTL})

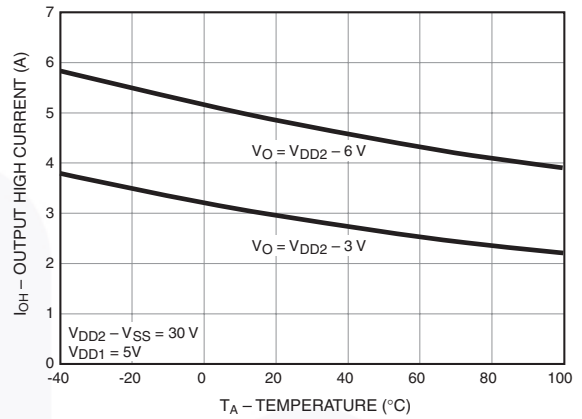


Figure 4. Output High Current (I_{OH}) vs. Temperature

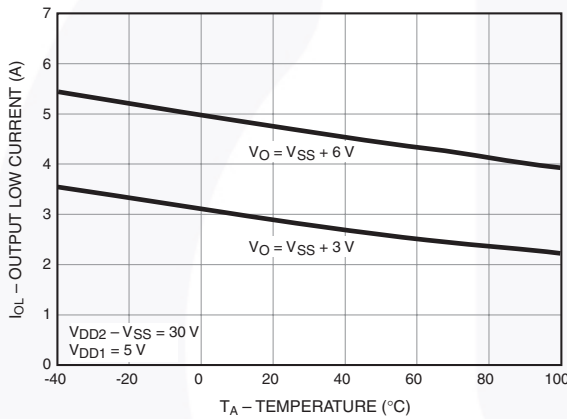


Figure 5. Output Low Current (I_{OL}) vs. Temperature

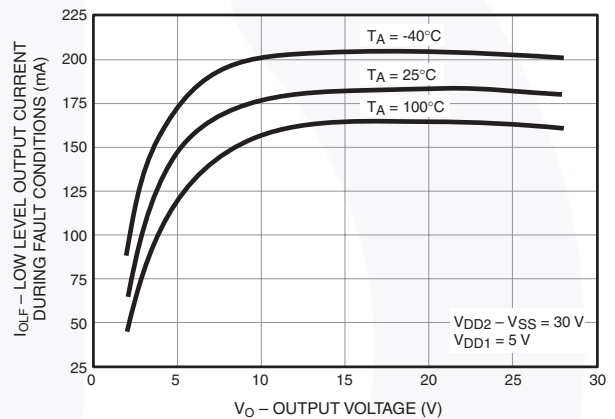


Figure 6. Low Level Output Current (I_{OLF}) vs. Output Voltage (V_O)

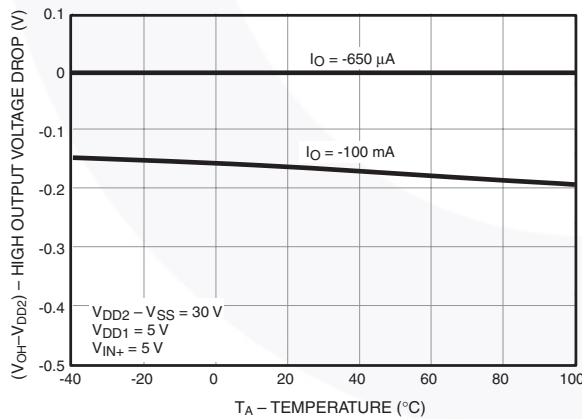


Figure 7. Output High Voltage ($V_{OH} - V_{DD2}$) vs. Temperature

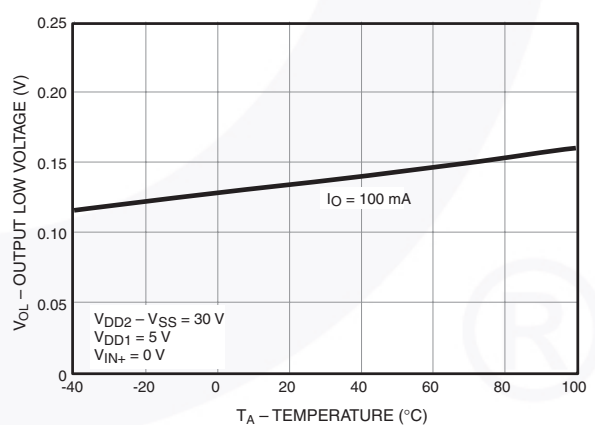


Figure 8. Output Low Voltage (V_{OL}) vs. Temperature

Typical Performance Characteristics (Continued)

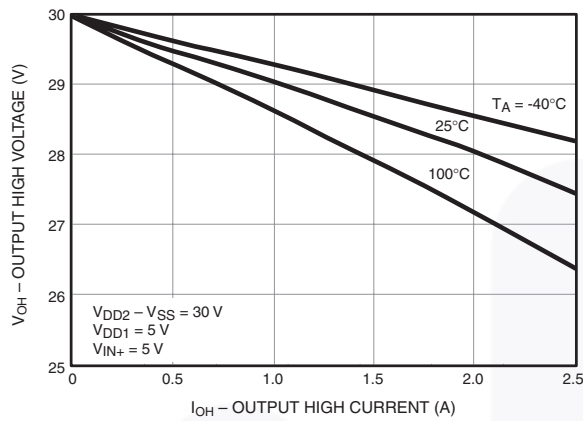


Figure 9. Output High Voltage (V_{OH}) vs. Output High Current (I_{OH})

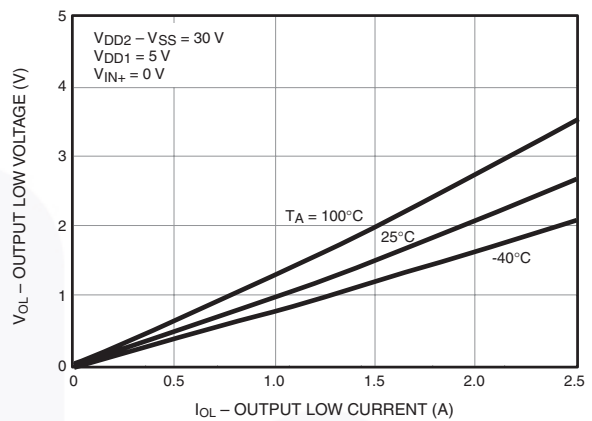


Figure 10. Output Low Voltage (V_{OL}) vs. Output Low Current (I_{OL})

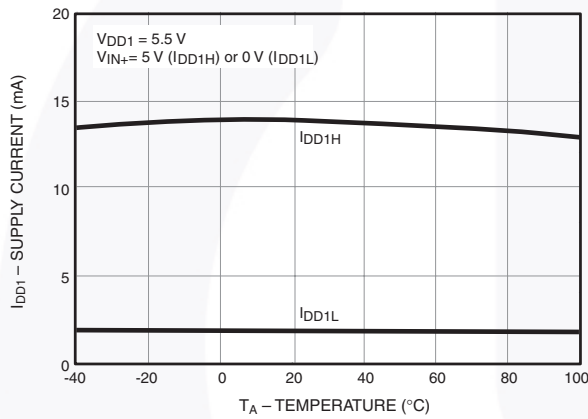


Figure 11. Supply Current (I_{DD1}) vs. Temperature

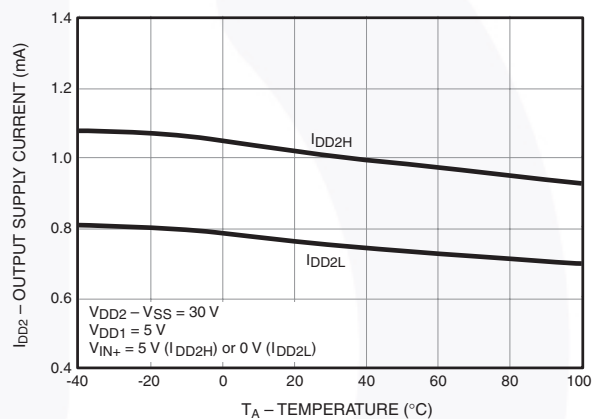


Figure 12. Output Supply Current (I_{DD2}) vs. Temperature

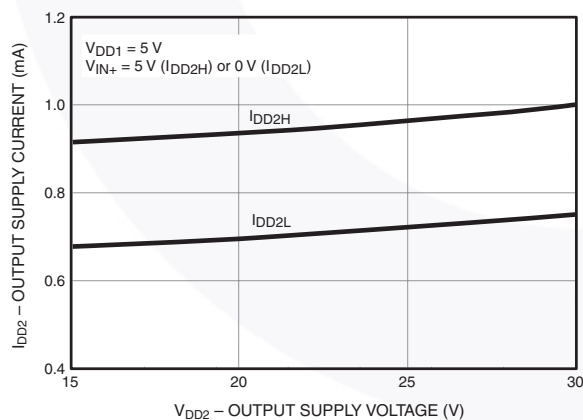


Figure 13. Output Supply Current (I_{DD2}) vs. Output Supply Voltage (V_{DD2})

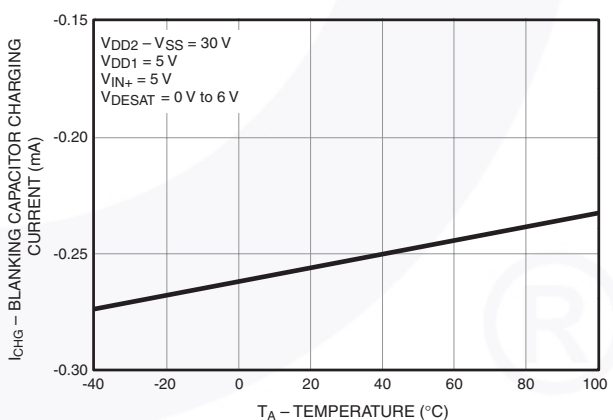


Figure 14. Blanking Capacitor Charging Current (I_{CHG}) vs. Temperature

Typical Performance Characteristics (Continued)

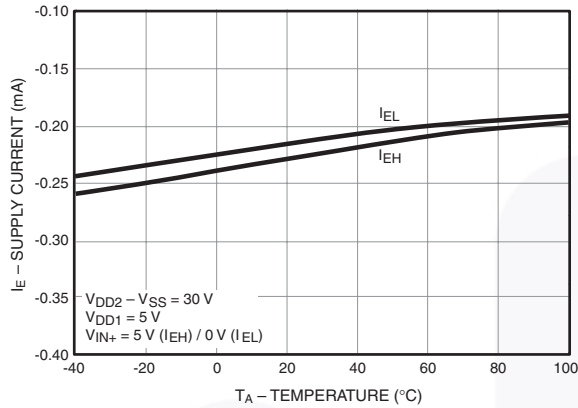


Figure 15. Supply Current (I_E) vs. Temperature

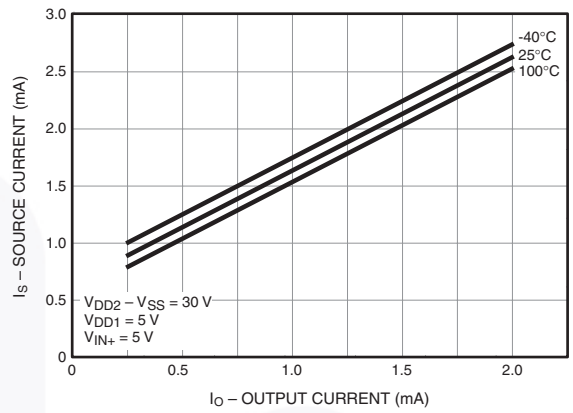


Figure 16. Source Current (I_S) vs. Output Current (I_O)

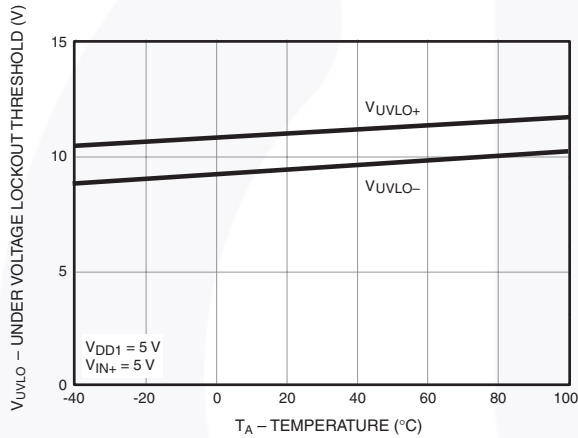


Figure 17. Under Voltage Lockout Threshold (V_{UVLO}) vs. Temperature

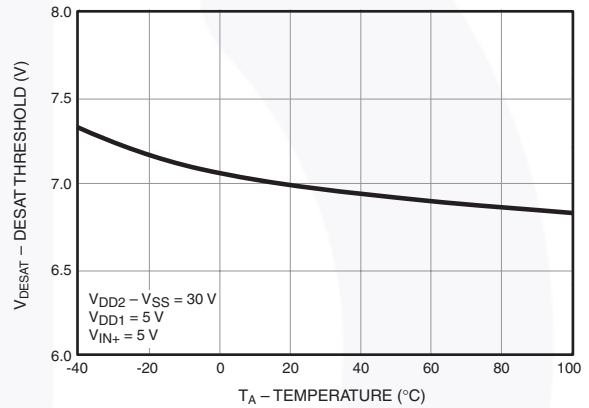


Figure 18. DESAT Threshold (V_{DESAT}) vs. Temperature

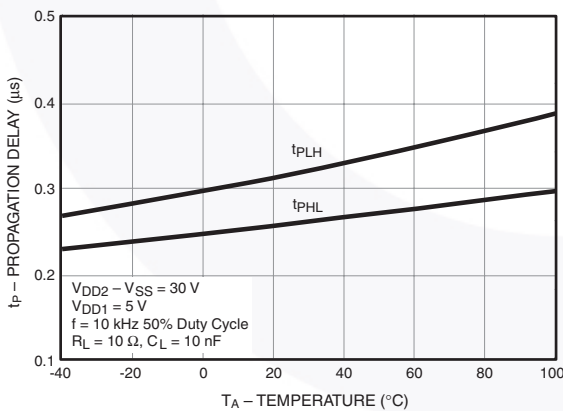


Figure 19. Propagation Delay (t_p) vs. Temperature

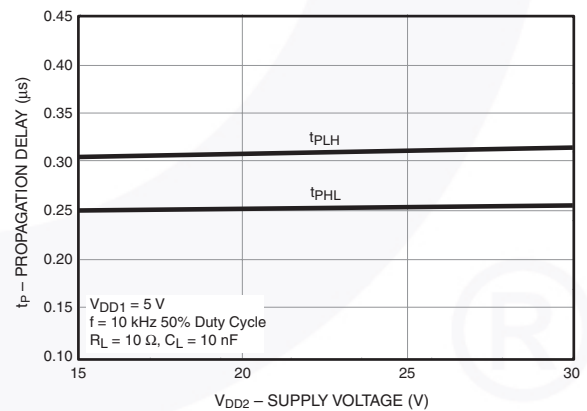


Figure 20. Propagation Delay (t_p) vs. Supply Voltage (V_{DD2})

Typical Performance Characteristics (Continued)

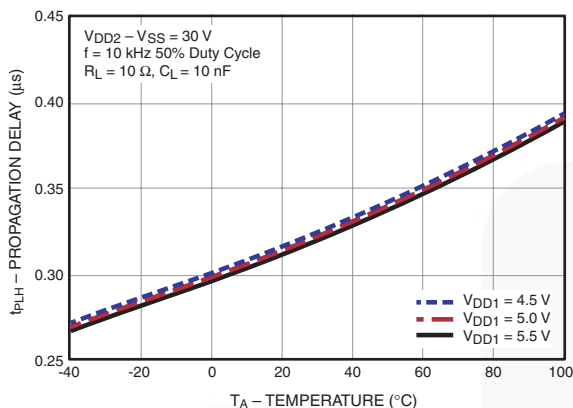


Figure 21. Propagation Delay Time to Logic High Output (t_{PLH}) vs. Temperature

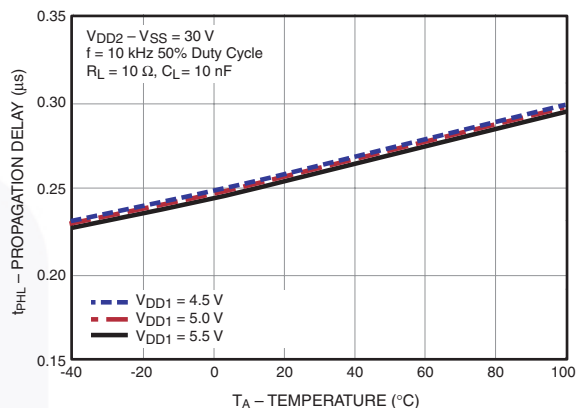


Figure 22. Propagation Delay Time to Logic Low Output (t_{PHL}) vs. Temperature

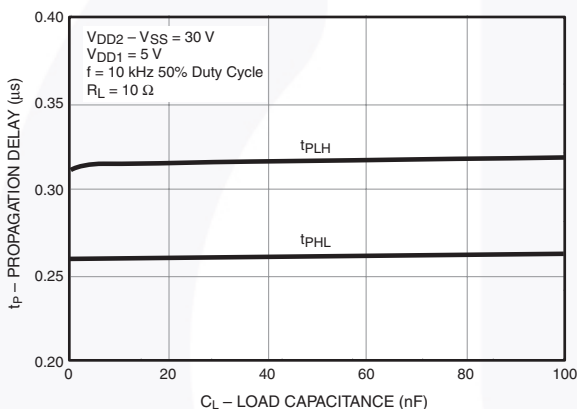


Figure 23. Propagation Delay (t_p) vs. Load Capacitance (C_L)

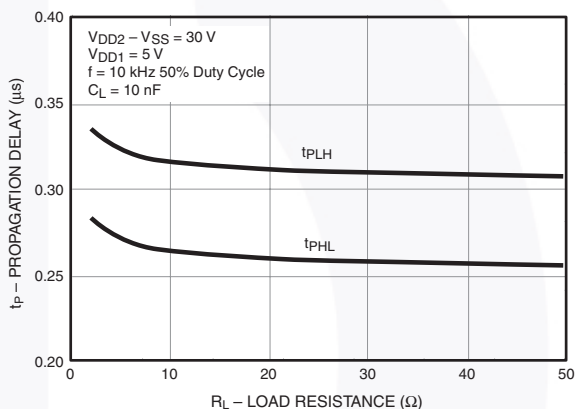


Figure 24. Propagation Delay (t_p) vs. Load Resistance (R_L)

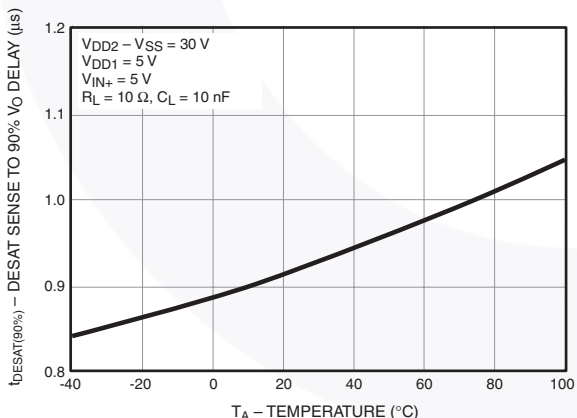


Figure 25. DESAT Sense to 90% V_O ($t_{DESAT(90\%)}$) vs. Temperature

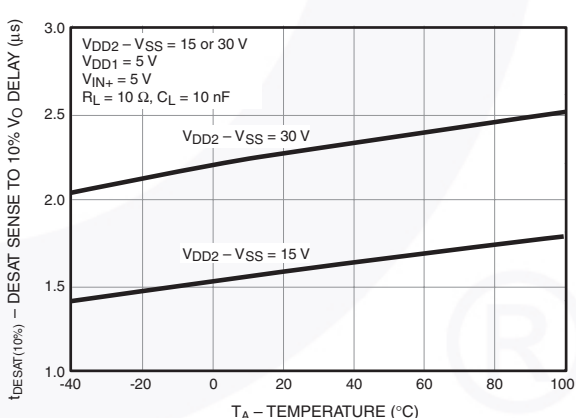


Figure 26. DESAT Sense to 10% V_O Delay ($t_{DESAT(10\%)}$) vs. Temperature

Typical Performance Characteristics (Continued)

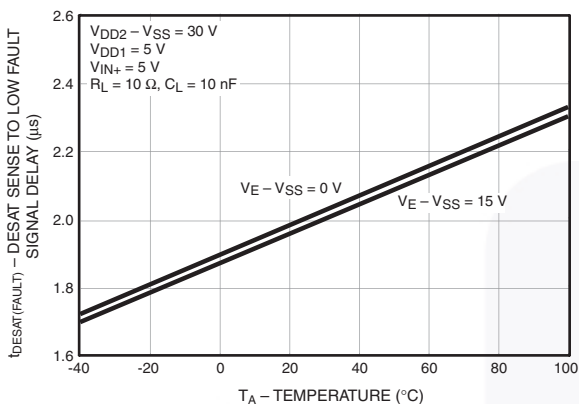


Figure 27. DESAT Sense to Low Fault Signal Delay ($t_{DESAT(FAULT)}$) vs. Temperature

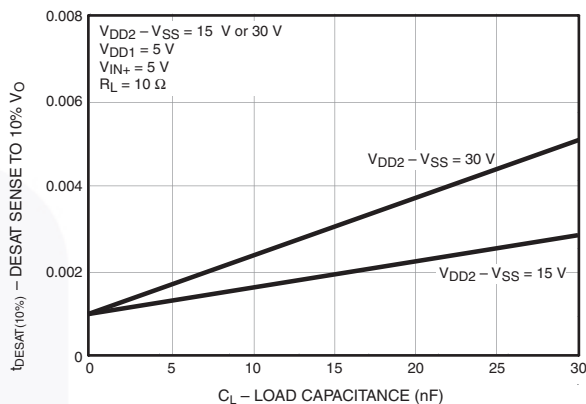


Figure 28. DESAT Sense to 10% V_O Delay ($t_{DESAT(10\%)}$) vs. Load Capacitance (C_L)

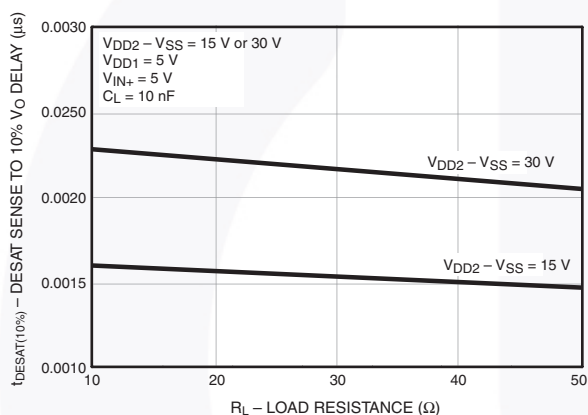


Figure 29. DESAT Sense to 10% V_O Delay ($t_{DESAT(10\%)}$) vs. Load Resistance (R_L)

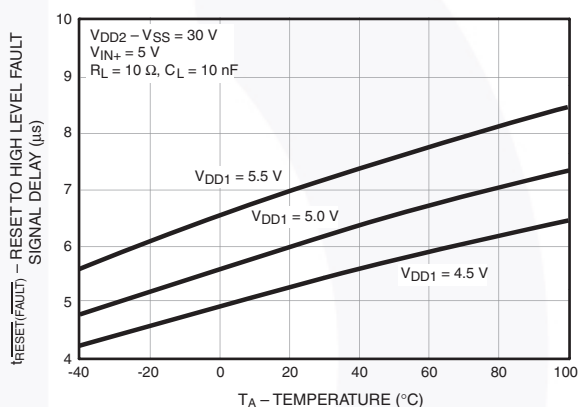


Figure 30. RESET to High Level FAULT Signal Delay ($t_{RESET(FAULT)}$) vs. Temperature

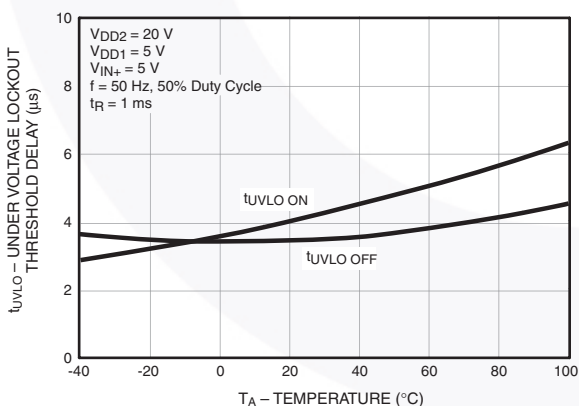


Figure 31. Under Voltage Lockout Threshold Delay (t_{UVLO}) vs. Temperature

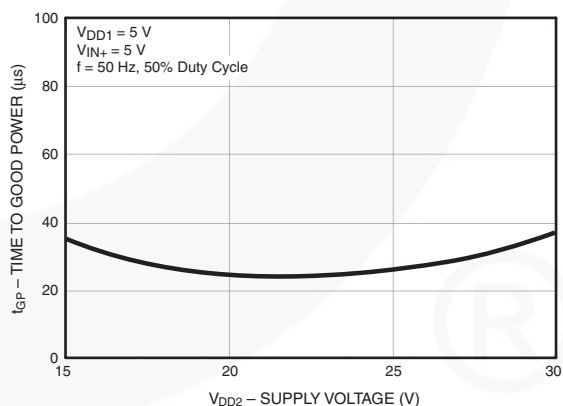


Figure 32. Time to Good Power (t_{GP}) vs. Supply Voltage (V_{DD2})

Typical Performance Characteristics (Continued)

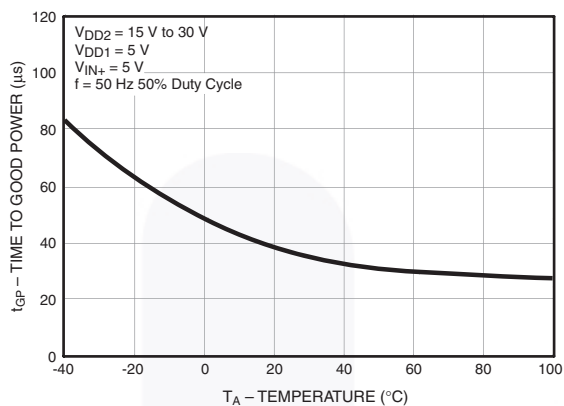


Figure 33. Time to Good Power (t_{GP}) vs. Temperature



Test Circuits

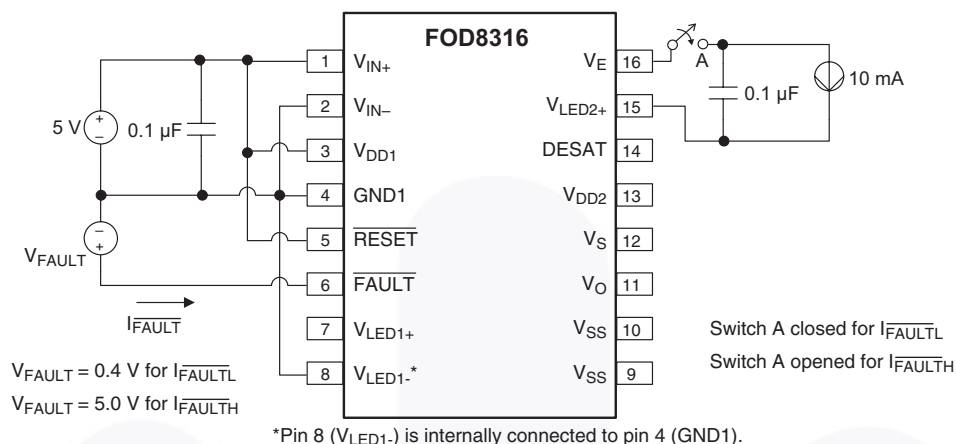


Figure 34. Fault Output Current (I_{FAULTL}) and (I_{FAULTH}) Test Circuit

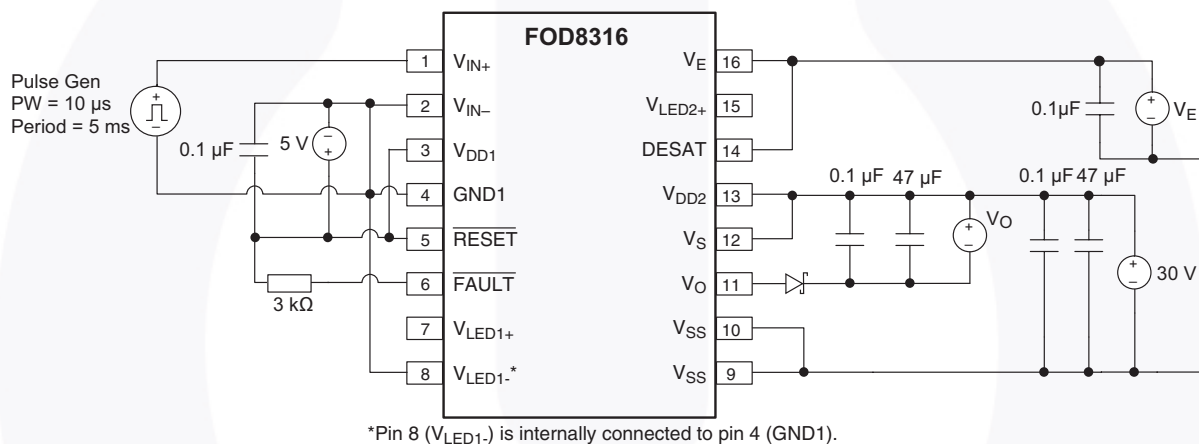


Figure 35. High Level Output Current (I_{OH}) Test Circuit

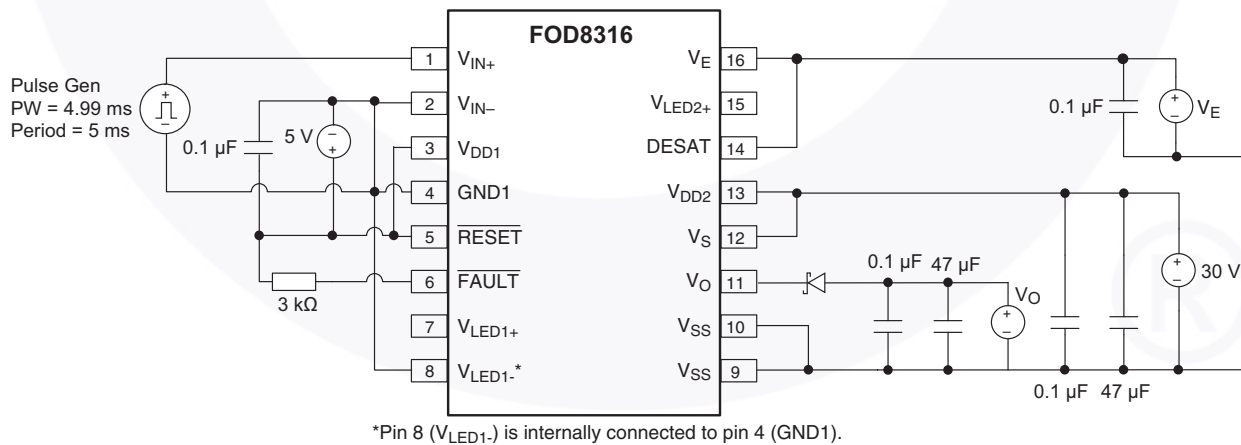


Figure 36. Low Level Output Current (I_{OL}) Test Circuit

Test Circuits (Continued)

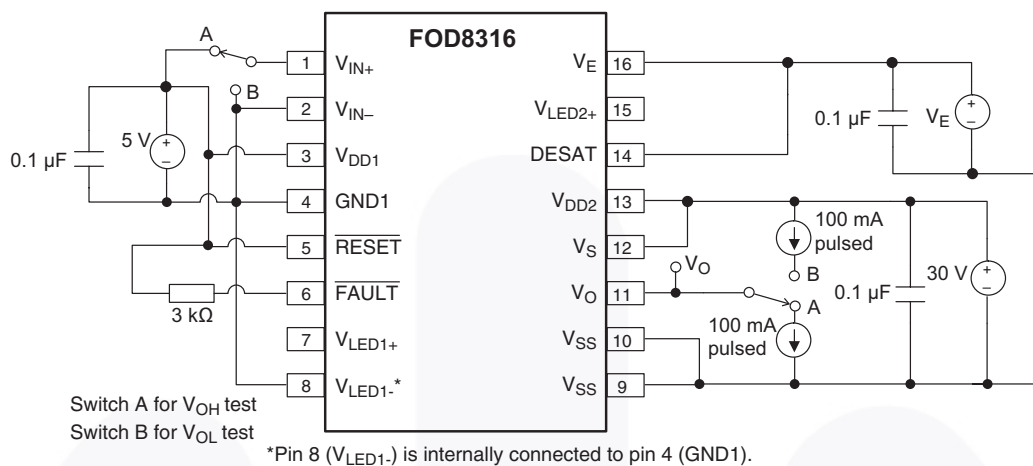


Figure 37. High Level (V_{OH}) and Low Level (V_{OL}) Output Voltage Test Circuit

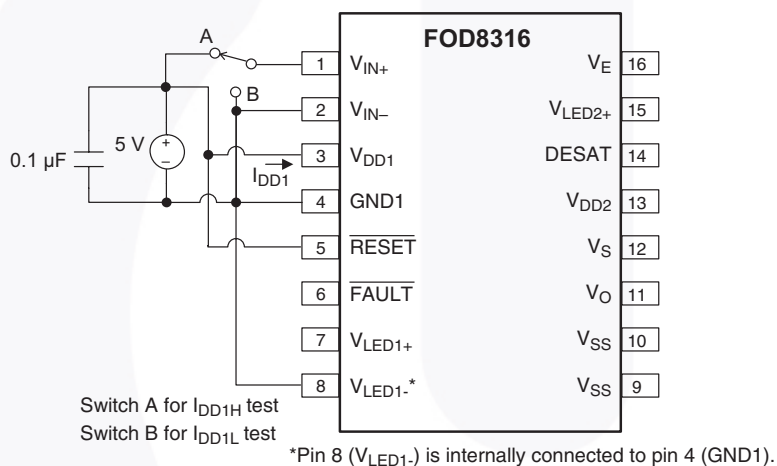


Figure 38. High Level (I_{DD1H}) and Low Level (I_{DD1L}) Supply Current Test Circuit

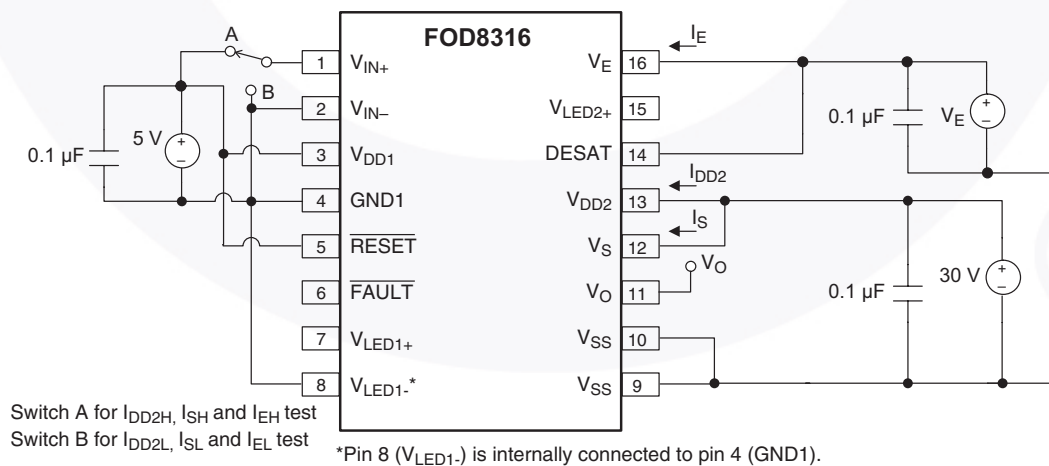
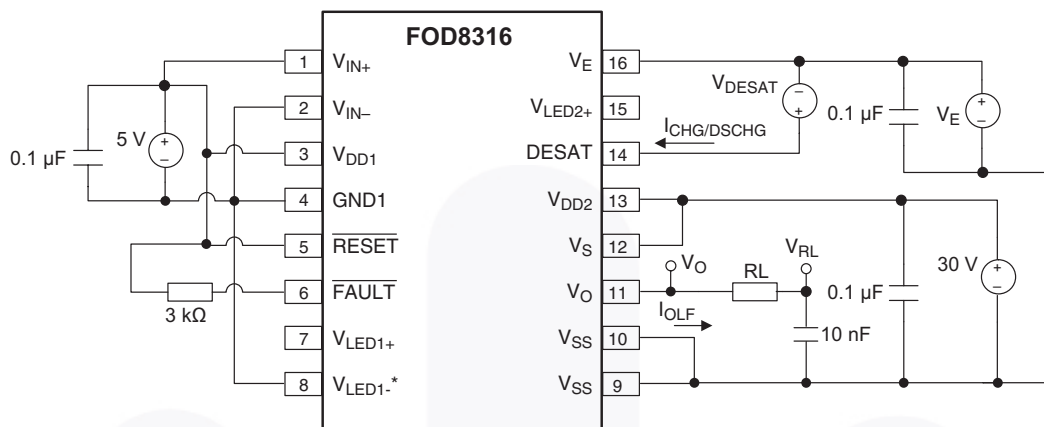


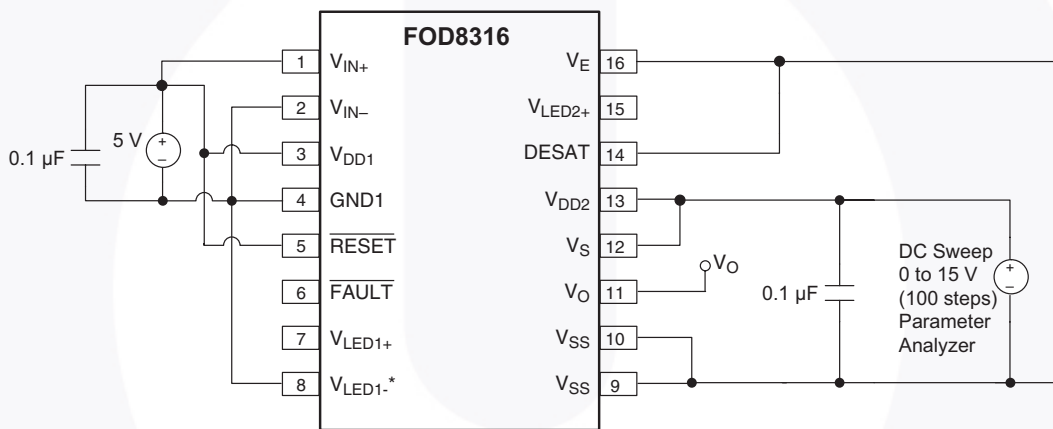
Figure 39. High Level (I_{DD2H}), Low Level (I_{DD2L}) Output Supply Current, High Level (I_{SH}), Low Level (I_{SL}) Source Current, V_E High Level (I_{EH}), and V_E Low Level (I_{EL}) Supply Current Test Circuit

Test Circuits (Continued)



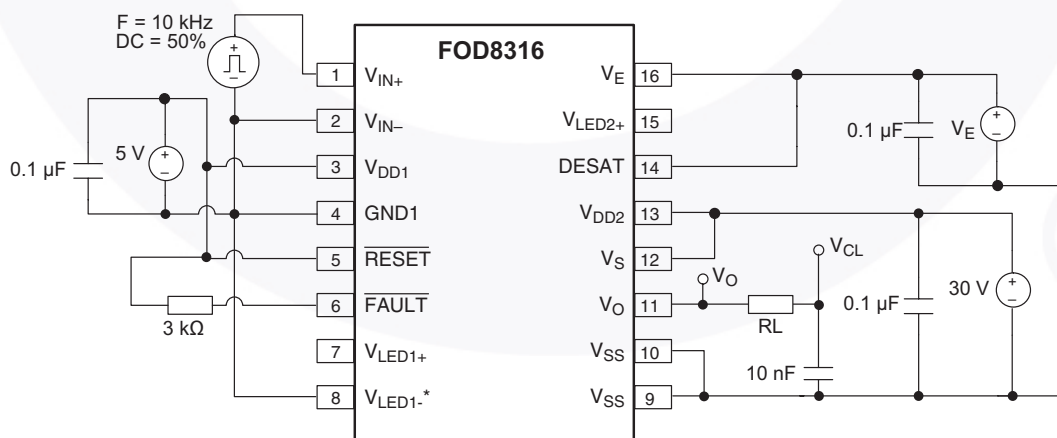
*Pin 8 (V_{LED1-}) is internally connected to pin 4 (GND1).

Figure 40. Low Level Output Current During Fault Conditions (I_{OLF}), Blanking Capacitor Charge Current (I_{CHG}), Blanking Capacitor Discharging Current (I_{DSCHG}) and DESAT Threshold (V_{DESAT}) Test Circuit



*Pin 8 (V_{LED1-}) is internally connected to pin 4 (GND1).

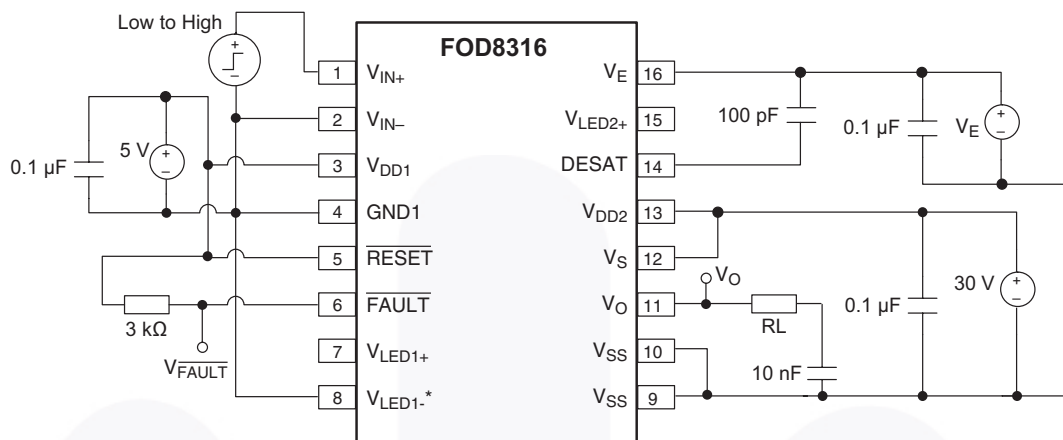
Figure 41. Under Voltage Lockout Threshold (V_{UVLO}) Test Circuit



*Pin 8 (V_{LED1-}) is internally connected to pin 4 (GND1).

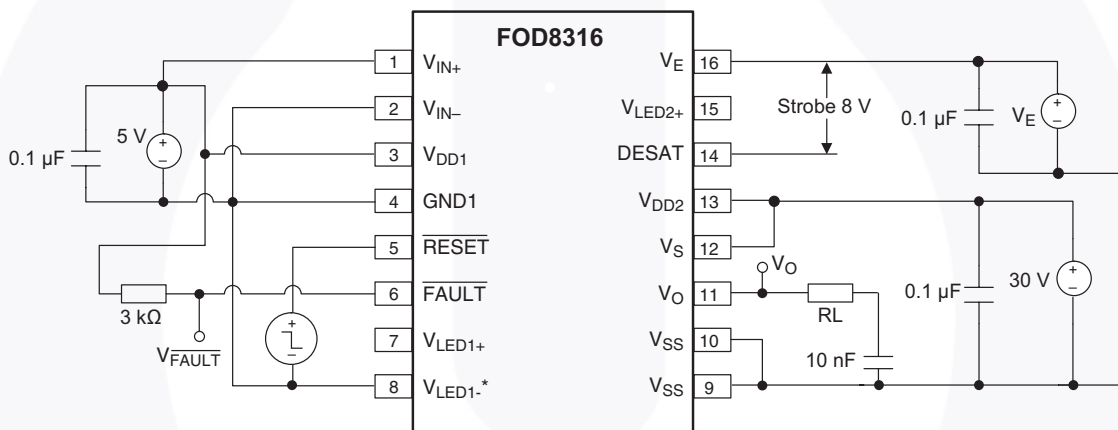
Figure 42. Propagation Delay (t_{PLH} , t_{PHL}), Pulse Width Distortion (PWD), Rise Time (t_R) and Fall Time (t_F) Test Circuit

Test Circuits (Continued)



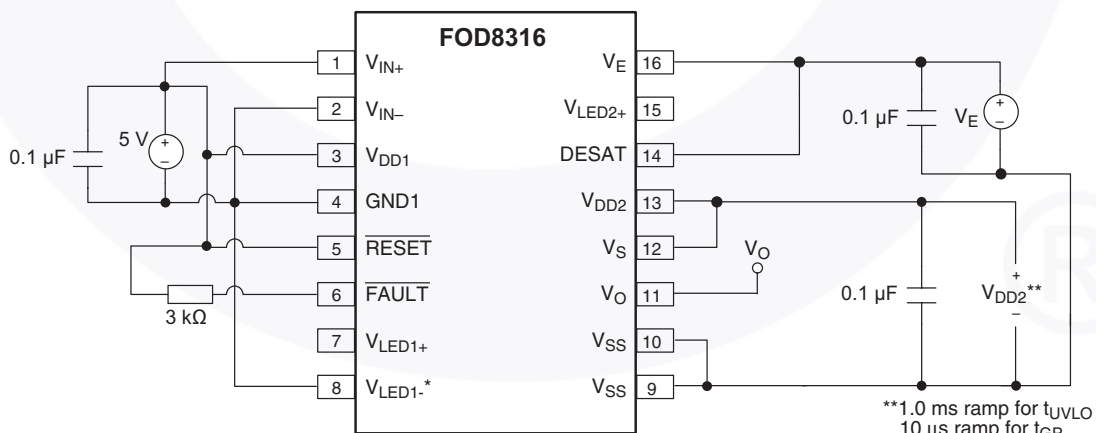
*Pin 8 (V_{LED1-}) is internally connected to pin 4 (GND1).

Figure 43. DESAT Sense ($t_{DESAT(90\%)}$, $t_{DESAT(10\%)}$), DESAT Fault ($t_{DESAT(FAULT)}$), and ($t_{DESAT(LOW)}$) Test Circuit



*Pin 8 (V_{LED1-}) is internally connected to pin 4 (GND1).

Figure 44. Reset Delay ($t_{RESET(FAULT)}$) Test Circuit



*Pin 8 (V_{LED1-}) is internally connected to pin 4 (GND1).

**1.0 ms ramp for t_{UVLO}
10 μs ramp for t_{GP}

Figure 45. Under Voltage Lockout Delay (t_{UVLO}) and Time to Good Power (t_{GP}) Test Circuit

Test Circuits (Continued)

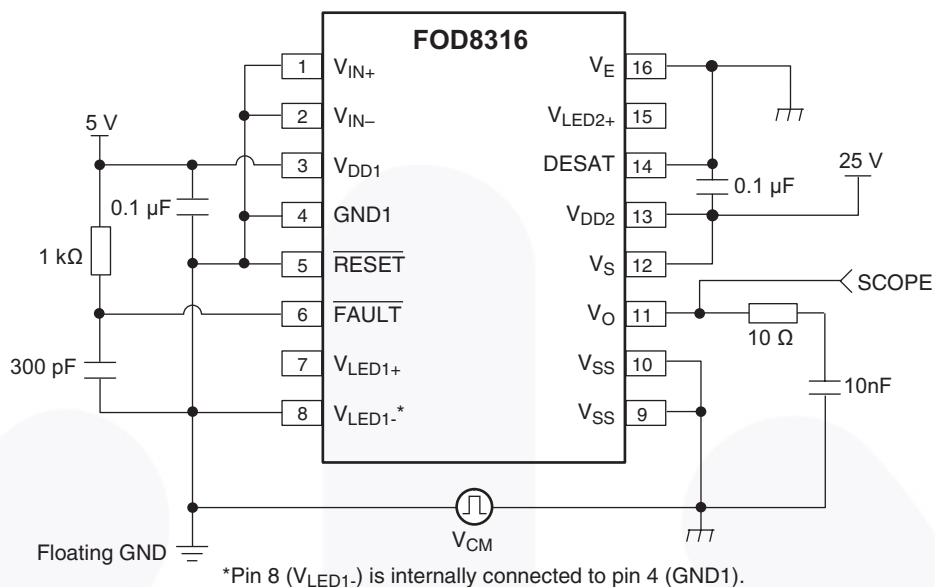


Figure 46. Common Mode Low (CM_L) Test Circuit @ LED1 Off

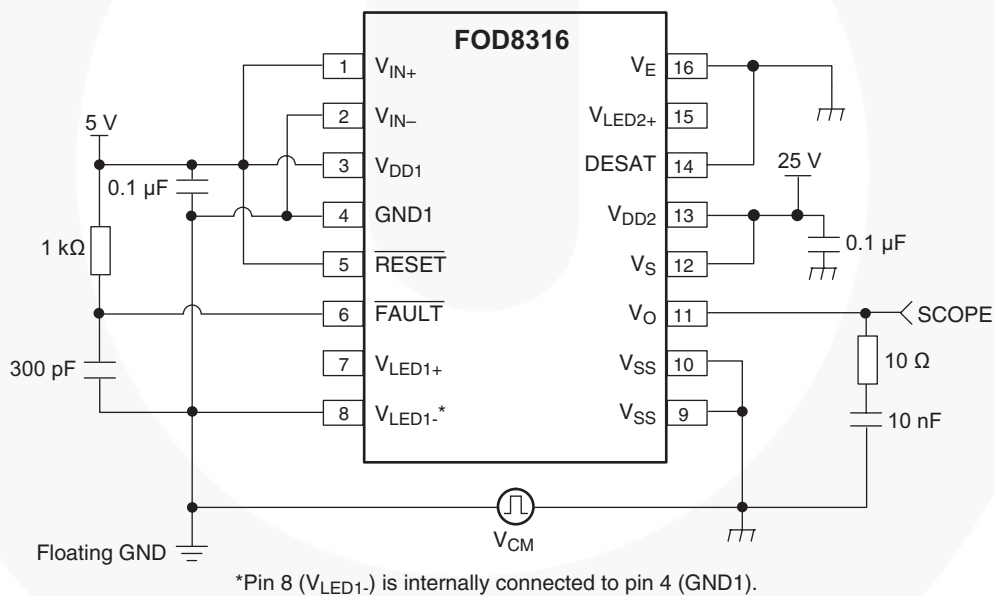
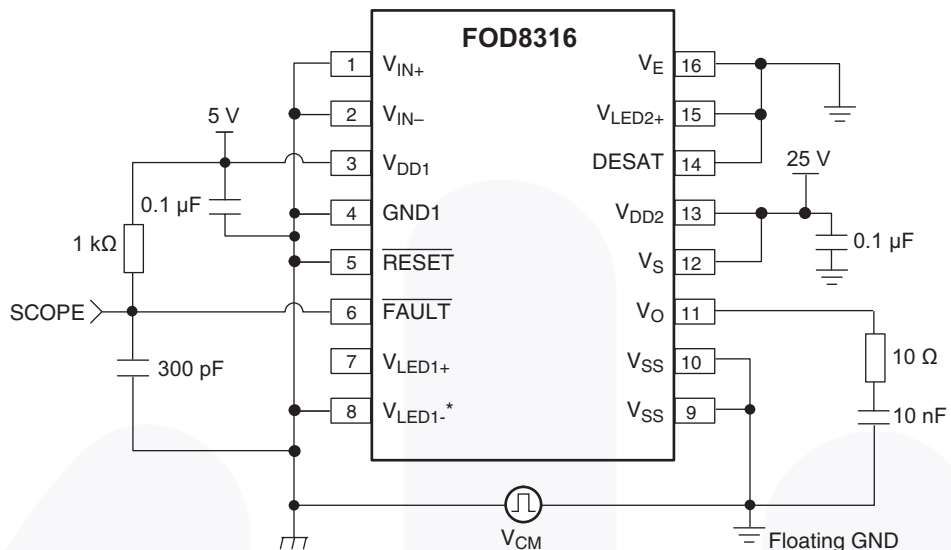


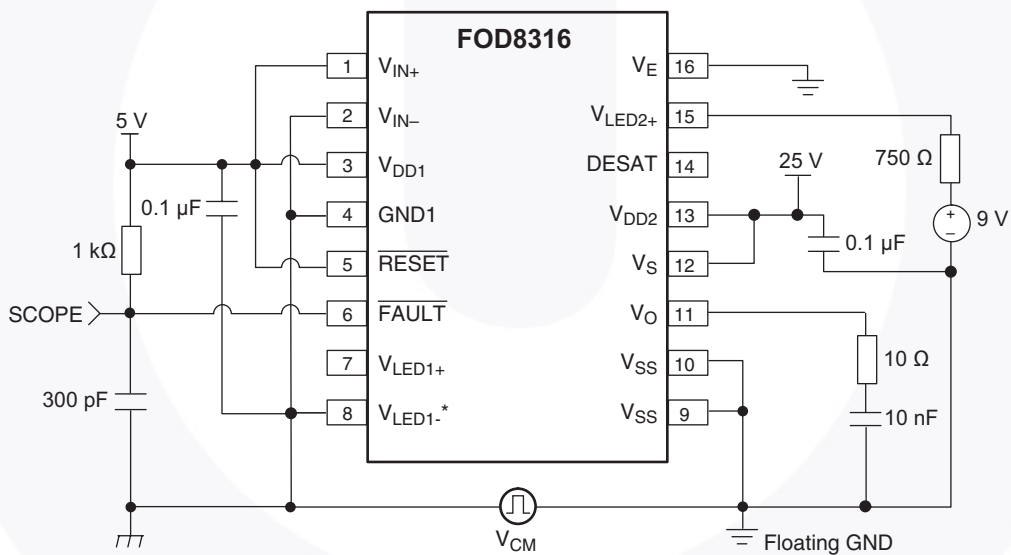
Figure 47. Common Mode High (CM_H) Test Circuit @ LED1 On

Test Circuits (Continued)



*Pin 8 (V_{LED1-}) is internally connected to pin 4 (GND1).

Figure 48. Common Mode High (CM_H) Test Circuit @ LED2 Off



*Pin 8 (V_{LED1-}) is internally connected to pin 4 (GND1).

Figure 49. Common Mode Low (CM_L) Test Circuit @ LED2 On

Timing Diagrams

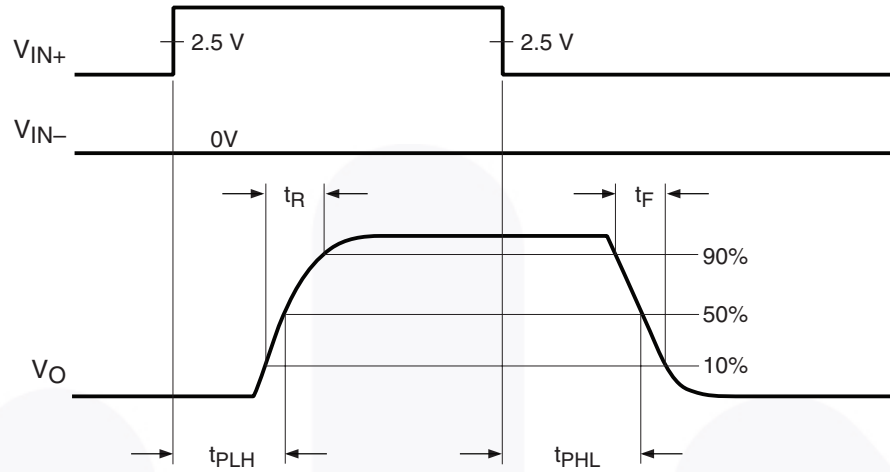


Figure 50. Propagation Delay (t_{PLH} , t_{PHL}), Rise Time (t_R) and Fall Time (t_F) Timing Diagram

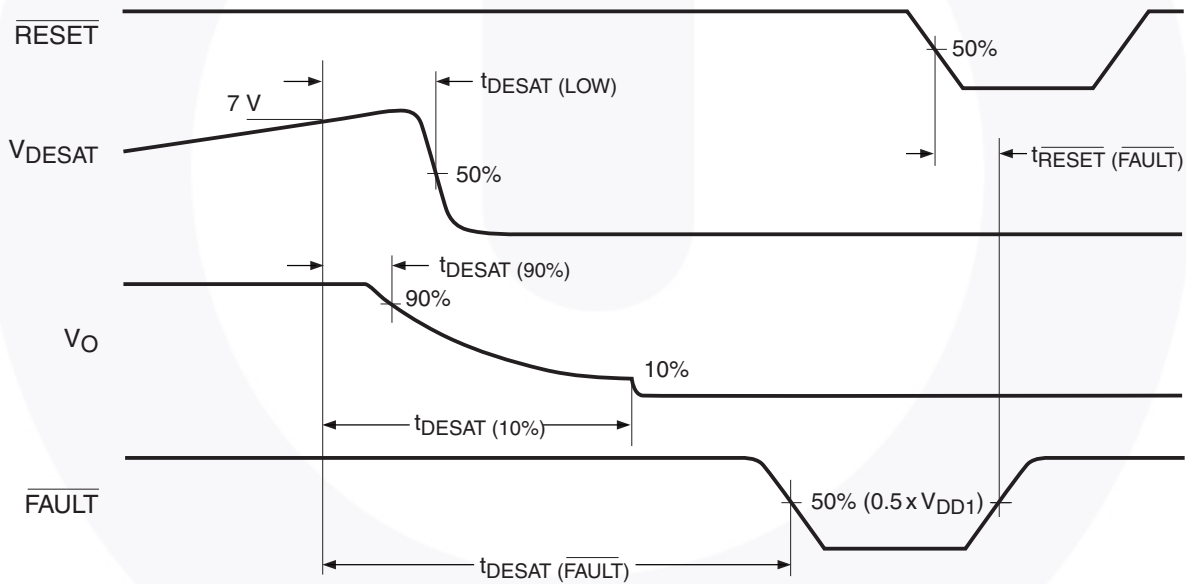


Figure 51. Definitions for Fault Reset Input (\overline{RESET}), Desaturation Voltage Input (V_{DESAT}), Output Voltage (V_O) and Fault Output (\overline{FAULT}) Timing Waveforms

Application Information

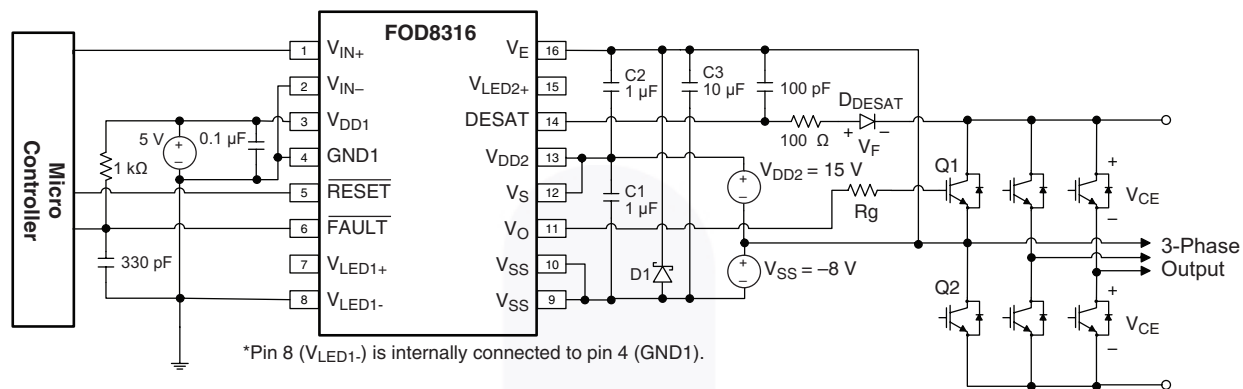


Figure 52. Recommended Application Circuit

Functional Description

The typical application circuit is shown in Figure 52 and the functional behavioral of the FOD8316 is illustrated by the detailed internal schematic shown in Figure 53. This helps explain the interaction and sequence of internal and external signals, together with the timing diagrams.

1. Non-Inverting and Inverting Inputs

There are two CMOS/TTL compatible inputs, V_{IN+} and V_{IN-} to control the IGBT, in non-inverting and inverting configurations respectively. When V_{IN-} is set to LOW, V_{IN+} controls the driver output, V_O , in non-inverting configuration. When V_{IN+} is set to HIGH, V_{IN-} controls the driver output in inverting configuration.

The relationship between the inputs and output are illustrated in the Figure 54.

During normal operation, when no fault is detected, the \overline{FAULT} output, which is an open-drain configuration, will be latched to HIGH state. This allows the gate driver to be controlled by the input logic signal.

When a fault is detected, the \overline{FAULT} output will be latched to LOW state. This condition will remain until the \overline{RESET} pin is also pulled low for a period longer than $PW_{\overline{RESET}}$. While setting the \overline{RESET} pin to a low state, the input pins must be pulled to low to ensure an output state (V_{IN+} is low or V_{IN-} is HIGH).

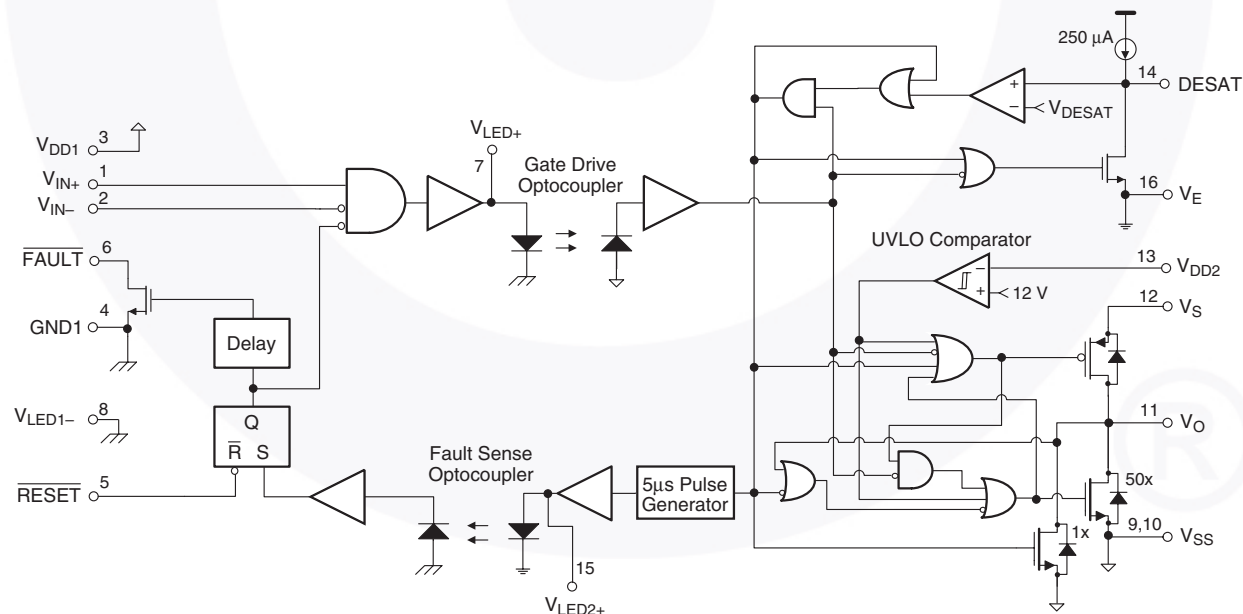


Figure 53. Detailed Internal Schematic

2. Gate Driver Output

A pair of PMOS and NMOS transistors made up the output driver stage, which facilitates close to rail-to-rail output swing. This feature allows a tight control of gate voltage during on-state and short circuit condition. The output driver is typically capable of sinking 2 A and sourcing 2 A at room temperature. Due to the low $RDS_{(ON)}$ of the MOSFETs, the power dissipation is reduced as compared to those bipolar-type driver output stages. The absolute maximum rating of the output peak current, $I_{O(PEAK)}$ is 3 A, thus the careful selection of the gate resistor, R_g , is required to limit the short circuit current of the IGBT.

As shown in Figure 53, the gate driver output is influenced by signals from the photodetector circuitry, the UVLO comparator, and the DESAT signals. Under no fault condition, normal operation resumes while the supply voltage is above the UVLO threshold, the output of the photodetector will drive the MOSFETs of the output stage.

The logic circuitry of the output stage will ensure that the push-pull devices will never be turned “ON” simultaneously. When the output of the photodetector is HIGH, the output, V_O will be pulled to HIGH state by turning on the PMOS. When the output of the photodetector is LOW, V_O will be pulled to LOW state by turning on the NMOS.

When V_{DD2} supply goes below V_{UVLO} , which is the designated ULVO threshold at the comparator, V_O will be pulled down to LOW state regardless of photodetector output.

When desaturation is detected, V_O will turn off slowly as it is pulled low by the NMOS^{1X} device, the input to the Fault Sense circuitry will be latched to HIGH state and turns on the LED. When V_O goes below 2 V, the NMOS^{50X} device turns on again, clamping the IGBT gate firmly to V_{SS} . The Fault Sense signal will remain latched in the HIGH state until the LED of the gate driver circuitry turns off.

3. Desaturation Protection, FAULT Output

Desaturation detection protection ensures the protection of the IGBT at short circuit by monitoring the collector-emitter voltage of the IGBT in the half bridge. When the DESAT voltage goes up and reaches above the threshold voltage, a short circuit condition is detected and the driver output stage will execute a “soft” IGBT turn-off and will be eventually driven low. This sequence is illustrated in Figure 55. The \overline{FAULT} open-drain output is triggered active low to report a desaturation error. It could only be cleared by activating active low by the external controller to the \overline{RESET} input.

The DESAT fault detector should be disabled for a short time period (blanking time) before the IGBT turns on to allow the collector voltage to fall below DESAT threshold. This blanking period protects against false trigger of the DESAT while the IGBT is turning on.

4. “Soft” Turn-Off

The soft turn-off feature ensures the safe turn off of the IGBT under fault condition. This reduces the voltage spike on the collector of the IGBT. Without this, the IGBT would see a heavy spike on the collector, resulting in a permanent damage to the device when it’s turned off immediately.

5. Under Voltage Lockout (UVLO)

Under voltage detection prevents the application of insufficient gate voltage to the IGBT. This could be dangerous, as it would drive the IGBT out of saturation and into the linear operation where the losses are very high and quickly overheats. This feature ensures proper operating of the IGBTs. The output voltage, V_O , remains LOW irregardless of the inputs, as long as the supply voltage, $V_{DD2} - V_E$, is less than V_{ULVO+} . When the supply voltage falls below V_{ULVO-} , V_O goes LOW, as illustrated in Figure 56.

6. Time to Good Power

At initial power up, the LED is off and the output of the gate driver should be in the LOW or OFF state. Sometimes race conditions exist that cause the output to follow V_D (assuming V_{DD2} and V_E are connected externally), until all of the circuits in the output IC have stabilized. This condition can result in output transitions or transients that are coupled to the driven IGBT. These transients can cause the high- and low-side IGBTs to conduct shoot-through current that can damage power semiconductor devices.

Fairchild has introduced an initial turn-on delay, called “time to good power”. This delay, typically 30 μ s, is only present during the initial power-up of the device. Once powered, the “time to good power” delay is determined by the delay of the UVLO circuitry. If the LED is ON during the initial turn-on activation, low-to-high transition at the output of the gate driver will only occur 30 μ s after the V_{DD2} power is applied.

7. Dual Supply Operation – Negative Bias at V_{SS}

The IGBT’s off-state noise immunity can be enhanced by providing a negative gate-to-emitter bias when the IGBT is in the OFF state. This static off-state bias can be supplied by connecting a separate negative voltage source between the V_E (pin 16) and V_{SS} (pin 9 &10). Figure 53 illustrates the two distinct grounds. The primary ground reference is the IGBT’s emitter connection, V_E (pin 16). The under-voltage threshold and desaturation voltage detection are referenced to the IGBT’s emitter (V_E) ground.

The recommended application circuit, Figure 52, shows the interconnection of the V_{DD2} and V_E supplies. The IGBT’s gate to emitter voltage is the absolute value sum of the V_{DD2} supply and the V_{SS} reverse bias. The negative voltage supply at V_{SS} appears at the gate drive input, V_O , when the FOD8316 is in the LOW state. When the input drives the output high, the output voltage, V_O , will have the potential of the V_{DD2} and V_{SS} .

Figure 52 shows the operation with a dual or split power supply. The V_{SS} supply provides the negative gate bias, and $V_{DD2} + V_{SS}$ supplies power to the output IC. The V_{SS} and V_{DD2} supplies require three power supply bypass capacitors. These capacitors provide the low equivalent series resistant (ESR) paths for the instantaneous gate charging and discharging currents. Selecting capacitors with low ESR will optimize the

available output current. C3 is a low ESR 1812 style, 10 μ F, multilayer ceramic capacitor. This capacitor is the primary filter for the V_{SS} and V_{DD2} supplies. C1 and C2 are also low ESR capacitors. They provide the primary gate charge and discharge paths. The Schottky diode, D1, is connected between V_E and V_{SS} to protect against a reverse voltage greater than 0.5 V.

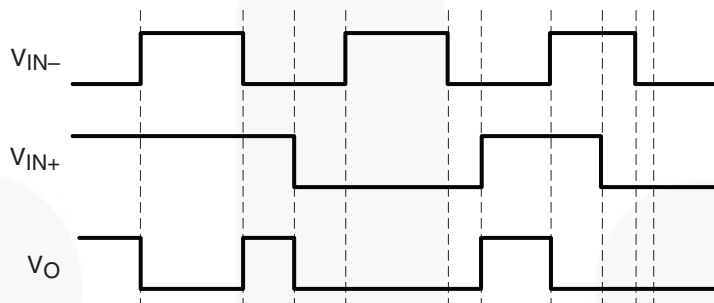


Figure 54. Input/Output Relationship

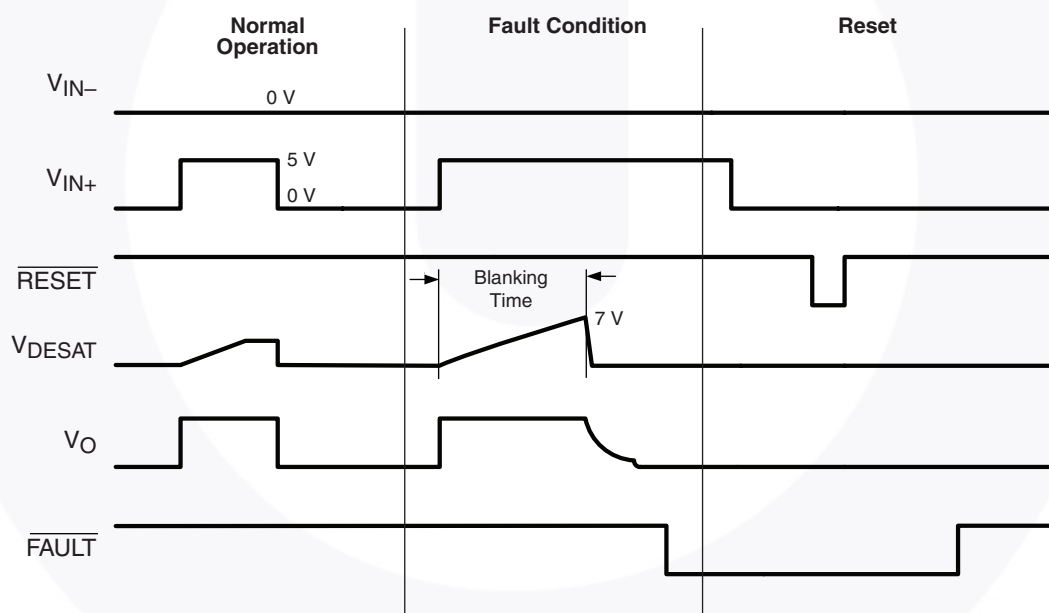


Figure 55. Timing Relationship Among Desaturation Voltage (DESAT), Fault Output ($\overline{\text{FAULT}}$) and Fault Reset Input ($\overline{\text{RESET}}$)

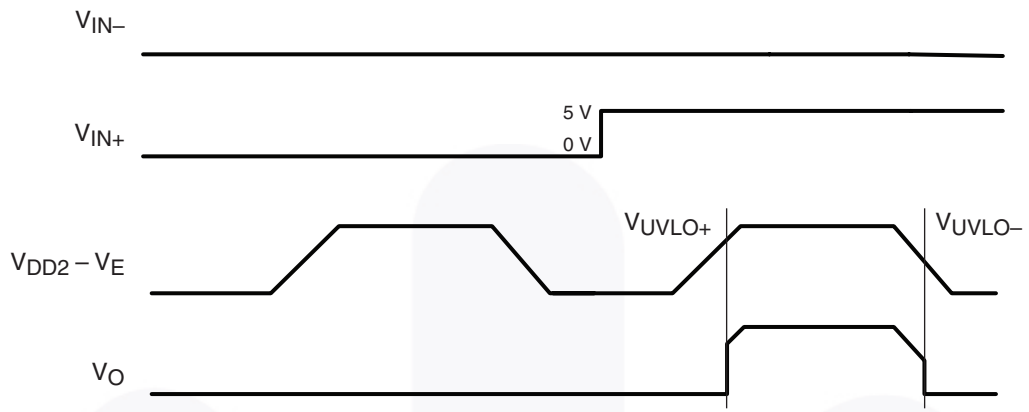



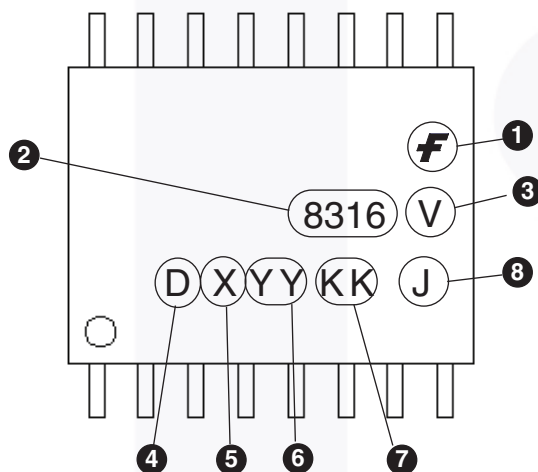
Figure 56. Under Voltage Lockout (UVLO) for Output Side

Ordering Information

| Part Number | Package | Packing Method |
|-------------|--|------------------------------------|
| FOD8316 | SO 16-Pin | Tube (50 units per tube) |
| FOD8316R2 | SO 16-Pin | Tape and Reel (750 units per reel) |
| FOD8316V | SO 16-Pin, DIN EN/IEC 60747-5-5 option | Tube (50 units per tube) |
| FOD8316R2V | SO 16-Pin, DIN EN/IEC 60747-5-5 option | Tape and reel (750 units per reel) |

 All packages are lead free per JEDEC: J-STD-020B standard.

Marking Information



Definitions

| | |
|---|---|
| 1 | Fairchild logo |
| 2 | Device number, e.g., '8316' for FOD8316 |
| 3 | DIN EN/IEC60747-5-5 Option (only appears on component ordered with this option) |
| 4 | Plant code, e.g., 'D' |
| 5 | Last digit year code, e.g., 'E' for 2014 |
| 6 | Two digit work week ranging from '01' to '53' |
| 7 | Lot traceability code |
| 8 | Package assembly code, e.g., 'J' |

Reflow Profile

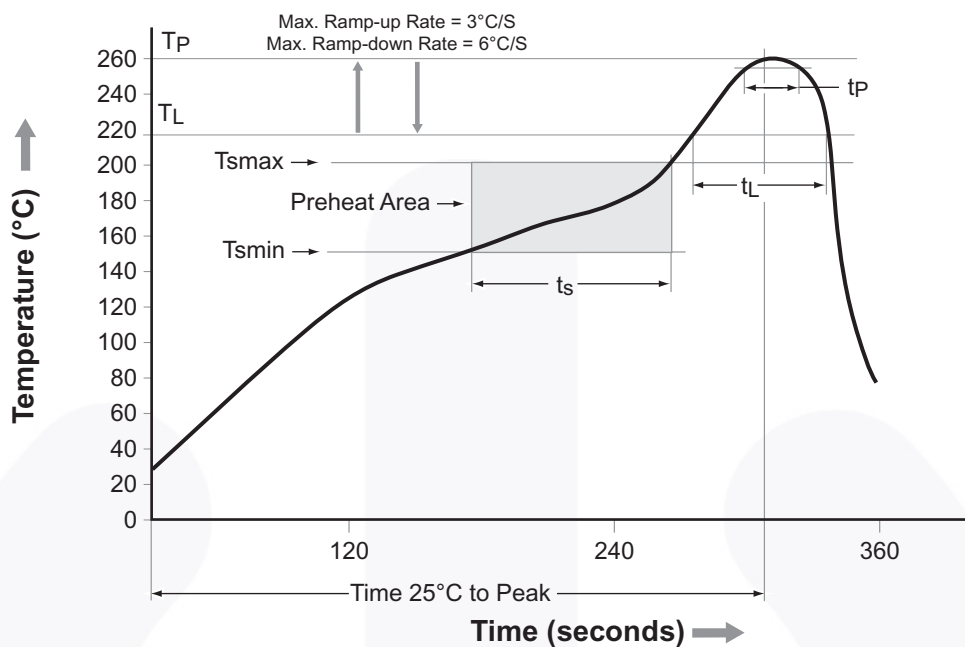
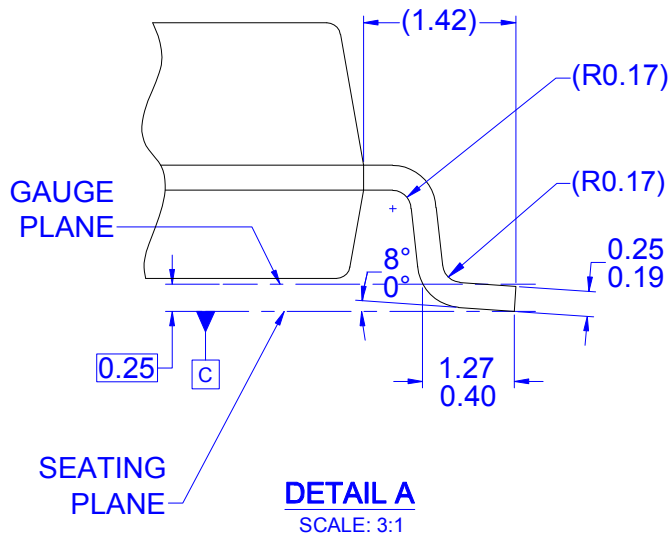
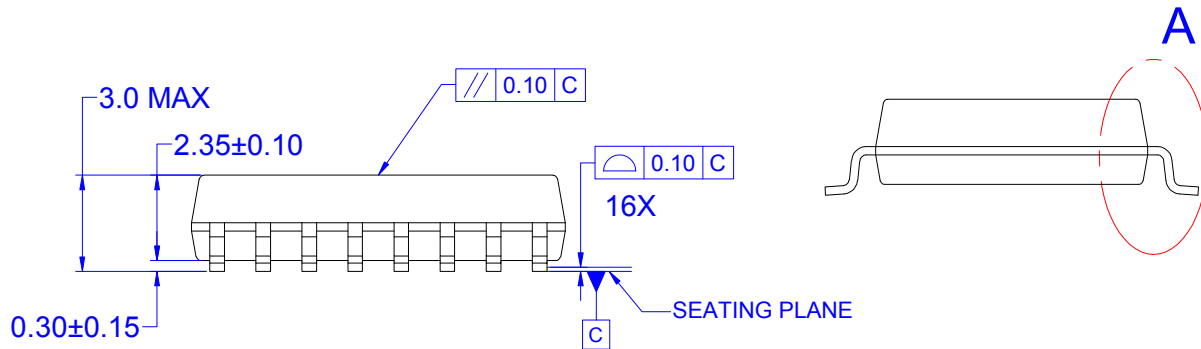
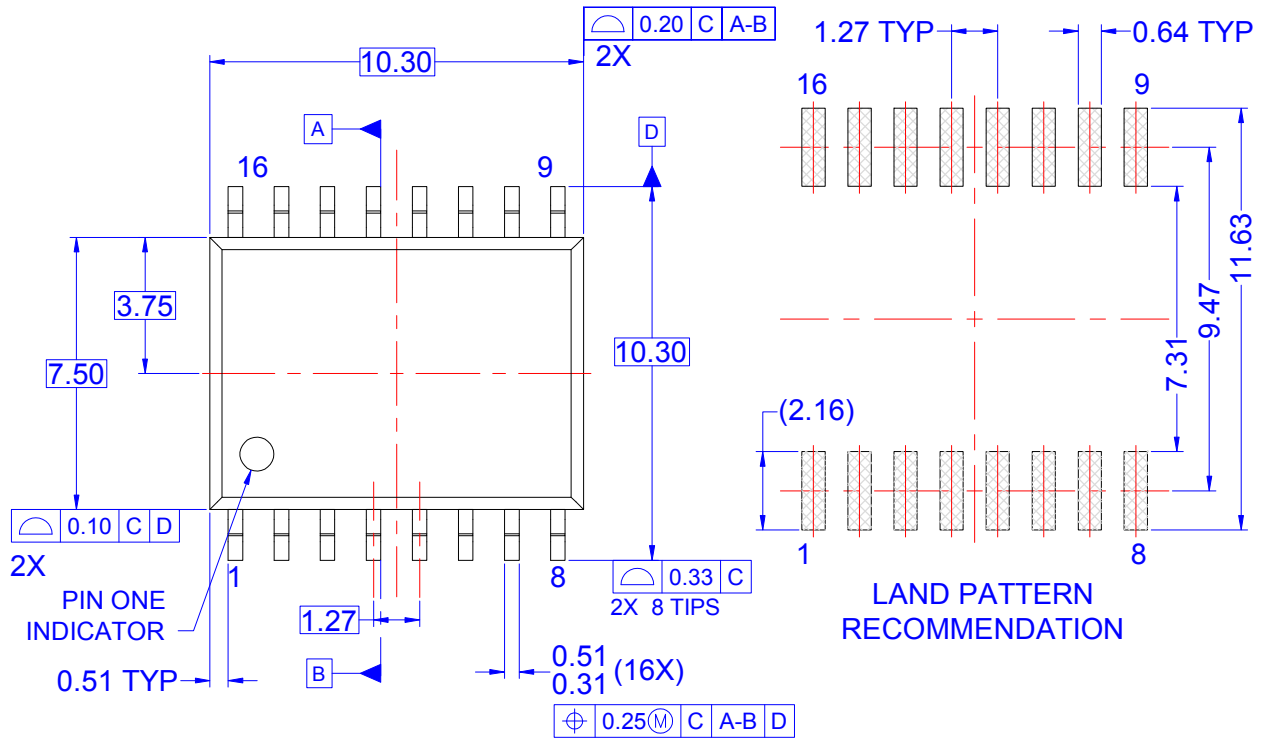


Figure 57. Reflow Profile

| Profile Feature | Pb-Free Assembly Profile |
|--|--------------------------|
| Temperature Minimum (T_{smin}) | 150°C |
| Temperature Maximum (T_{smax}) | 200°C |
| Time (t_s) from (T_{smin} to T_{smax}) | 60 to 120 seconds |
| Ramp-up Rate (t_L to t_p) | 3°C/second maximum |
| Liquidous Temperature (T_L) | 217°C |
| Time (t_L) Maintained Above (T_L) | 60–150 seconds |
| Peak Body Package Temperature | 260°C +0°C / -5°C |
| Time (t_p) within 5°C of 260°C | 30 seconds |
| Ramp-Down Rate (T_P to T_L) | 6°C/second maximum |
| Time 25°C to Peak Temperature | 8 minutes maximum |



NOTES: UNLESS OTHERWISE SPECIFIED

- A) DRAWING REFERS TO JEDEC MS-013, VARIATION AA.
- B) ALL DIMENSIONS ARE IN MILLIMETERS.
- C) DIMENSIONS ARE EXCLUSIVE OF BURRS, MOLD FLASH AND TIE BAR PROTRUSIONS
- D) DRAWING CONFORMS TO ASME Y14.5M-1994
- E) LAND PATTERN STANDARD: SOIC127P1030X275-16N
- F) DRAWING FILE NAME: MKT-M16FRE2

ON Semiconductor and  are trademarks of Semiconductor Components Industries, LLC dba ON Semiconductor or its subsidiaries in the United States and/or other countries. ON Semiconductor owns the rights to a number of patents, trademarks, copyrights, trade secrets, and other intellectual property. A listing of ON Semiconductor's product/patent coverage may be accessed at www.onsemi.com/site/pdf/Patent-Marking.pdf. ON Semiconductor reserves the right to make changes without further notice to any products herein. ON Semiconductor makes no warranty, representation or guarantee regarding the suitability of its products for any particular purpose, nor does ON Semiconductor assume any liability arising out of the application or use of any product or circuit, and specifically disclaims any and all liability, including without limitation special, consequential or incidental damages. Buyer is responsible for its products and applications using ON Semiconductor products, including compliance with all laws, regulations and safety requirements or standards, regardless of any support or applications information provided by ON Semiconductor. "Typical" parameters which may be provided in ON Semiconductor data sheets and/or specifications can and do vary in different applications and actual performance may vary over time. All operating parameters, including "Typicals" must be validated for each customer application by customer's technical experts. ON Semiconductor does not convey any license under its patent rights nor the rights of others. ON Semiconductor products are not designed, intended, or authorized for use as a critical component in life support systems or any FDA Class 3 medical devices or medical devices with a same or similar classification in a foreign jurisdiction or any devices intended for implantation in the human body. Should Buyer purchase or use ON Semiconductor products for any such unintended or unauthorized application, Buyer shall indemnify and hold ON Semiconductor and its officers, employees, subsidiaries, affiliates, and distributors harmless against all claims, costs, damages, and expenses, and reasonable attorney fees arising out of, directly or indirectly, any claim of personal injury or death associated with such unintended or unauthorized use, even if such claim alleges that ON Semiconductor was negligent regarding the design or manufacture of the part. ON Semiconductor is an Equal Opportunity/Affirmative Action Employer. This literature is subject to all applicable copyright laws and is not for resale in any manner.

PUBLICATION ORDERING INFORMATION

LITERATURE FULFILLMENT:

Literature Distribution Center for ON Semiconductor
19521 E. 32nd Pkwy, Aurora, Colorado 80011 USA
Phone: 303-675-2175 or 800-344-3860 Toll Free USA/Canada
Fax: 303-675-2176 or 800-344-3867 Toll Free USA/Canada
Email: orderlit@onsemi.com

N. American Technical Support: 800-282-9855 Toll Free
USA/Canada
Europe, Middle East and Africa Technical Support:
Phone: 421 33 790 2910
Japan Customer Focus Center
Phone: 81-3-5817-1050

ON Semiconductor Website: www.onsemi.com
Order Literature: <http://www.onsemi.com/orderlit>
For additional information, please contact your local
Sales Representative

Mouser Electronics

Authorized Distributor

Click to View Pricing, Inventory, Delivery & Lifecycle Information:

[ON Semiconductor:](#)

[FOD8316](#) [FOD8316R2V](#) [FOD8316R2](#) [FOD8316V](#)