

4-Mbit (256K × 18) Pipelined DCD Sync SRAM

Features

- Registered inputs and outputs for pipelined operation
- Optimal for performance (double-cycle deselect)
 - Depth expansion without wait state
- 256K × 18 common I/O architecture
- 3.3 V core power supply (V_{DD})
- 3.3 V/2.5 V I/O power supply (V_{DDQ})
- Fast clock-to-output times
 - 4.0 ns (for 133-MHz device)
- Provide high-performance 3-1-1 access rate
- User-selectable burst counter supporting Intel® Pentium® interleaved or linear burst sequences
- Separate processor and controller address strobes
- Synchronous self-timed writes
- Asynchronous output enable
- Available in Pb-free 100-pin TQFP package
- “ZZ” sleep mode option

Functional Description

The CY7C1328G SRAM integrates 256K × 18 SRAM cells with advanced synchronous peripheral circuitry and a two-bit counter for internal burst operation. All synchronous inputs are gated by registers controlled by a positive-edge-triggered clock input (CLK). The synchronous inputs include all addresses, all data inputs, address-pipelining chip enable (\overline{CE}_1), depth-expansion chip enables (\overline{CE}_2 and \overline{CE}_3), burst control inputs (ADSC, ADSP, and ADV), write enables ($BW_{[A:B]}$ and BWE), and global write (GW). Asynchronous inputs include the output enable (\overline{OE}) and the ZZ pin.

Addresses and chip enables are registered at rising edge of clock when either address strobe processor (ADSP) or address strobe controller (ADSC) are active. Subsequent burst addresses can be internally generated as controlled by the advance pin (ADV).

Address, data inputs, and write controls are registered on-chip to initiate a self-timed write cycle. This part supports byte write operations (see [Pin Definitions on page 5](#) and [Truth Table on page 8](#) for further details). Write cycles can be one to two bytes wide as controlled by the byte write control inputs. GW active LOW causes all bytes to be written. This device incorporates an additional pipelined enable register which delays turning off the output buffers an additional cycle when a deselect is executed. This feature allows depth expansion without penalizing system performance.

The CY7C1328G operates from a +3.3 V core power supply while all outputs operate with a +3.3 V or a +2.5 V supply. All inputs and outputs are JEDEC-standard JESD8-5-compatible.

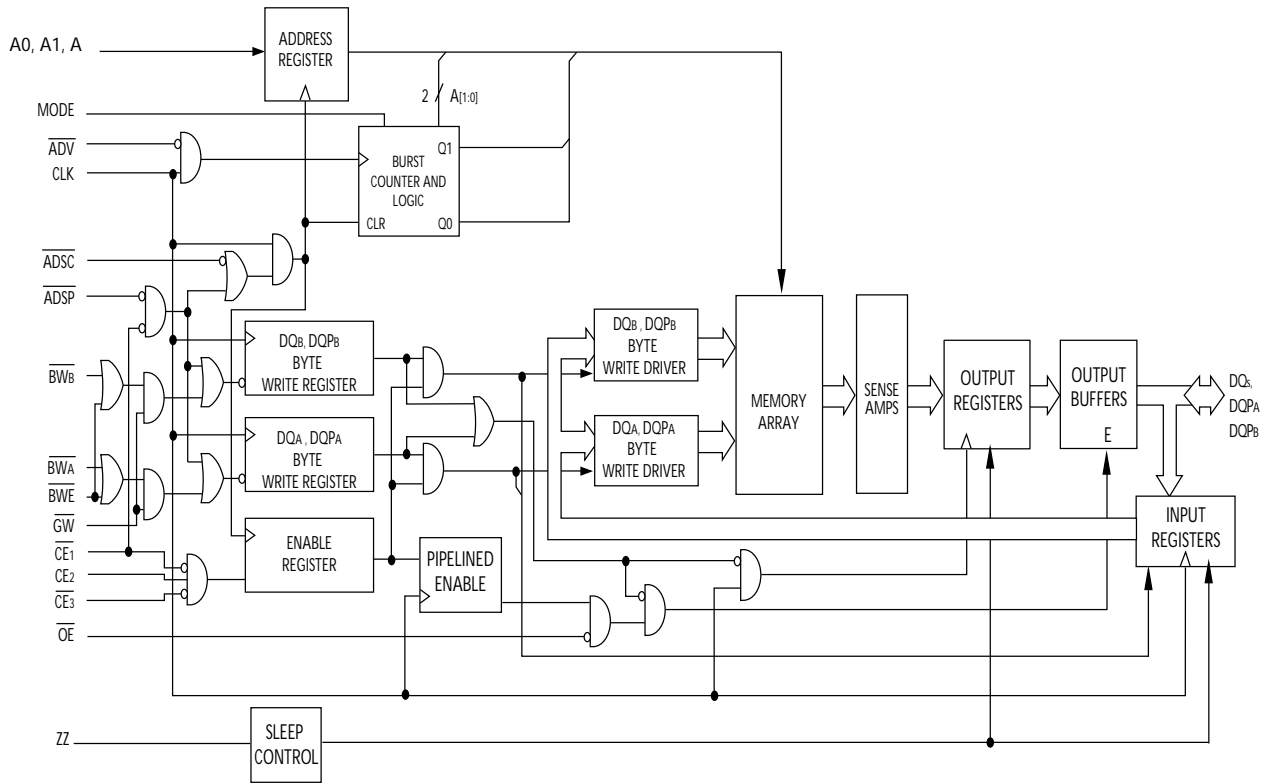
For a complete list of related documentation, click [here](#).

Selection Guide

| Description | 133 MHz | Unit |
|------------------------------|---------|------|
| Maximum access time | 4.0 | ns |
| Maximum operating current | 225 | mA |
| Maximum CMOS standby current | 40 | mA |

Errata: For information on silicon errata, see [Errata on page 20](#). Details include trigger conditions, devices affected, and proposed workaround.

Logic Block Diagram

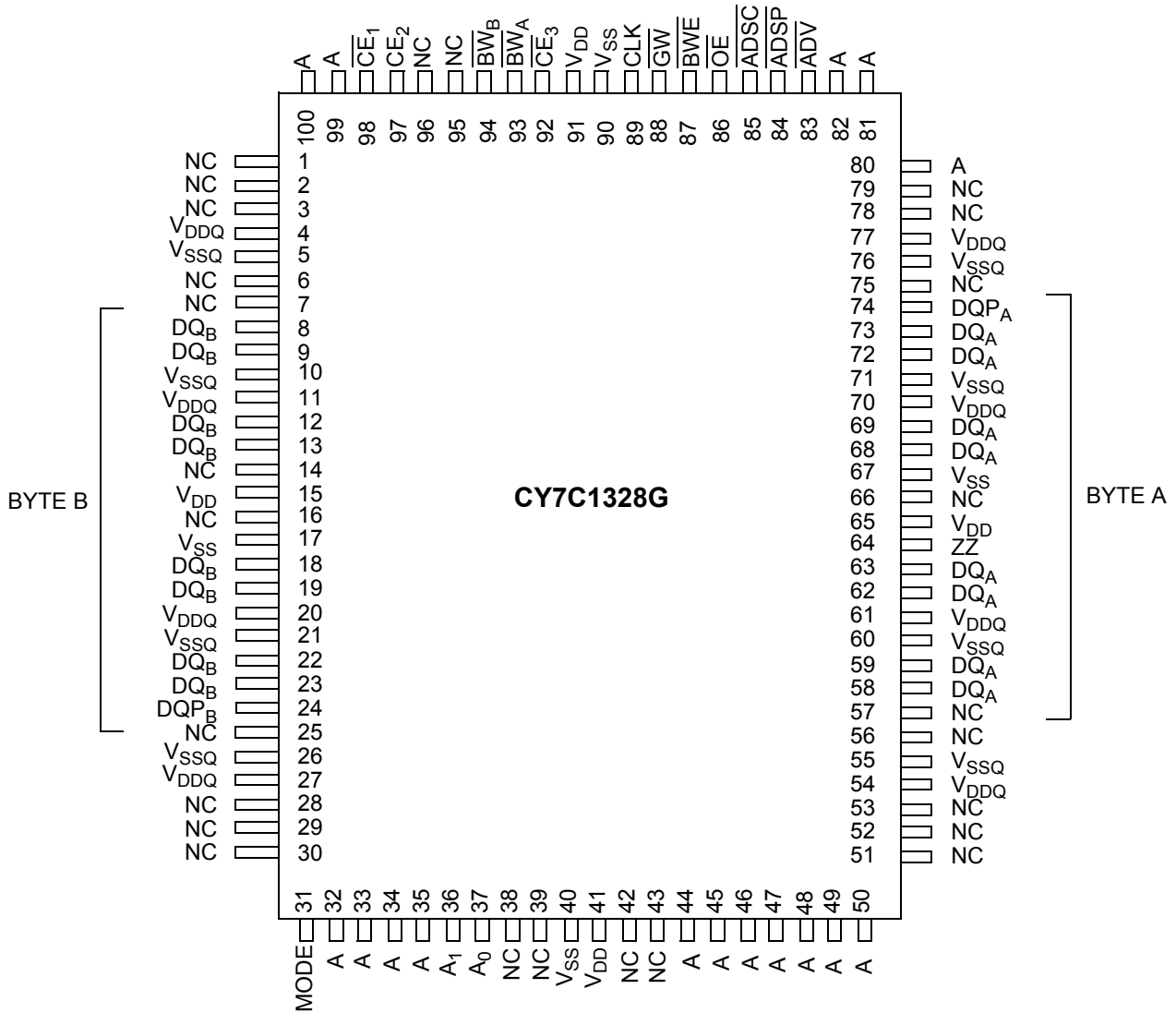


Contents

| | | | |
|---|-----------|--|-----------|
| Pin Configurations | 4 | Switching Characteristics | 12 |
| Pin Definitions | 5 | Switching Waveforms | 13 |
| Functional Overview | 6 | Ordering Information | 17 |
| Single Read Accesses | 6 | Ordering Code Definitions | 17 |
| Single Write Accesses Initiated by ADSP | 6 | Package Diagram | 18 |
| Single Write Accesses Initiated by ADSC | 7 | Acronyms | 19 |
| Burst Sequences | 7 | Document Conventions | 19 |
| Sleep Mode | 7 | Units of Measure | 19 |
| Interleaved Burst Address Table | 7 | Errata | 20 |
| Linear Burst Address Table | 7 | Part Numbers Affected | 20 |
| ZZ Mode Electrical Characteristics | 7 | Product Status | 20 |
| Truth Table | 8 | Ram9 Sync ZZ Pin Issues Errata Summary | 20 |
| Truth Table for Read/Write | 9 | Document History Page | 21 |
| Maximum Ratings | 10 | Sales, Solutions, and Legal Information | 23 |
| Operating Range | 10 | Worldwide Sales and Design Support | 23 |
| Electrical Characteristics | 10 | Products | 23 |
| Capacitance | 11 | PSoC@Solutions | 23 |
| Thermal Resistance | 11 | Cypress Developer Community | 23 |
| AC Test Loads and Waveforms | 11 | Technical Support | 23 |

Pin Configurations

Figure 1. 100-pin TQFP (14 × 20 × 1.4 mm) pinout [1]



Note

1. **Errata:** The ZZ pin (Pin 64) needs to be externally connected to ground. For more information, see [Errata on page 20](#).

Pin Definitions

| Pin | TQFP | Type | Description |
|---|---|--------------------|--|
| A ₀ , A ₁ , A | 37, 36, 32, 33, 34, 35, 44, 45, 46, 47, 48, 49, 50, 80, 81, 82, 99, 100 | Input-synchronous | Address inputs used to select one of the 256K address locations. Sampled at the rising edge of the CLK if $\overline{\text{ADSP}}$ or $\overline{\text{ADSC}}$ is active LOW, and $\overline{\text{CE}}_1$, $\overline{\text{CE}}_2$, and $\overline{\text{CE}}_3$ are sampled active. A _[1:0] are fed to the two-bit counter. |
| $\overline{\text{BW}}_A$, $\overline{\text{BW}}_B$ | 93,94 | Input-synchronous | Byte write select inputs, active LOW. Qualified with $\overline{\text{BWE}}$ to conduct byte writes to the SRAM. Sampled on the rising edge of CLK. |
| $\overline{\text{GW}}$ | 88 | Input-synchronous | Global write enable input, active LOW. When asserted LOW on the rising edge of CLK, a global write is conducted (all bytes are written, regardless of the values on $\text{BW}_{[A:B]}$ and $\overline{\text{BWE}}$). |
| $\overline{\text{BWE}}$ | 87 | Input-synchronous | Byte write enable input, active LOW. Sampled on the rising edge of CLK. This signal must be asserted LOW to conduct a byte write. |
| CLK | 89 | Input-clock | Clock input. Used to capture all synchronous inputs to the device. Also used to increment the burst counter when $\overline{\text{ADV}}$ is asserted LOW, during a burst operation. |
| $\overline{\text{CE}}_1$ | 98 | Input-synchronous | Chip enable 1 input, active LOW. Sampled on the rising edge of CLK. Used in conjunction with $\overline{\text{CE}}_2$ and $\overline{\text{CE}}_3$ to select/deselect the device. $\overline{\text{ADSP}}$ is ignored if $\overline{\text{CE}}_1$ is HIGH. $\overline{\text{CE}}_1$ is sampled only when a new external address is loaded. |
| $\overline{\text{CE}}_2$ | 97 | Input-synchronous | Chip enable 2 input, active HIGH. Sampled on the rising edge of CLK. Used in conjunction with $\overline{\text{CE}}_1$ and $\overline{\text{CE}}_3$ to select/deselect the device. $\overline{\text{CE}}_2$ is sampled only when a new external address is loaded. |
| $\overline{\text{CE}}_3$ | 92 | Input-synchronous | Chip enable 3 input, active LOW. Sampled on the rising edge of CLK. Used in conjunction with $\overline{\text{CE}}_1$ and $\overline{\text{CE}}_2$ to select/deselect the device. $\overline{\text{CE}}_3$ is sampled only when a new external address is loaded. |
| $\overline{\text{OE}}$ | 86 | Input-asynchronous | Output enable, asynchronous input, active LOW. Controls the direction of the I/O pins. When LOW, the I/O pins behave as outputs. When deasserted HIGH, DQ pins are tri-stated, and act as input data pins. $\overline{\text{OE}}$ is masked during the first clock of a read cycle when emerging from a deselected state. |
| $\overline{\text{ADV}}$ | 83 | Input-synchronous | Advance input signal, sampled on the rising edge of CLK, active LOW. When asserted, it automatically increments the address in a burst cycle. |
| $\overline{\text{ADSP}}$ | 84 | Input-synchronous | Address strobe from processor, sampled on the rising edge of CLK, active LOW. When asserted LOW, addresses presented to the device are captured in the address registers. A _[1:0] are also loaded into the burst counter. When $\overline{\text{ADSP}}$ and $\overline{\text{ADSC}}$ are both asserted, only $\overline{\text{ADSP}}$ is recognized. $\overline{\text{ADSP}}$ is ignored when $\overline{\text{CE}}_1$ is deasserted HIGH. |
| $\overline{\text{ADSC}}$ | 85 | Input-synchronous | Address strobe from controller, sampled on the rising edge of CLK, active LOW. When asserted LOW, addresses presented to the device are captured in the address registers. A _[1:0] are also loaded into the burst counter. When $\overline{\text{ADSP}}$ and $\overline{\text{ADSC}}$ are both asserted, only $\overline{\text{ADSP}}$ is recognized. |
| $\overline{\text{ZZ}}^{[2]}$ | 64 | Input-asynchronous | ZZ “sleep” input, active HIGH. When asserted HIGH places the device in a non-time-critical “sleep” condition with data integrity preserved. During normal operation, this pin has to be low or left floating. ZZ pin has an internal pull-down. |

Note

- Errata:** The ZZ pin (Pin 64) needs to be externally connected to ground. For more information, see [Errata on page 20](#).

Pin Definitions (continued)

| Pin | TQFP | Type | Description |
|------------------------------|---|---------------------|--|
| DQs, DQP _[A:B] | 58, 59, 62, 63, 68, 69, 72, 73, 74, 8, 9, 12, 13, 18, 19, 22, 23, 24 | I/O- synchronous | Bidirectional data I/O lines. As inputs, they feed into an on-chip data register that is triggered by the rising edge of CLK. As outputs, they deliver the data contained in the memory location specified by the addresses presented during the previous clock rise of the read cycle. The direction of the pins is controlled by OE. When OE is asserted LOW, the pins behave as outputs. When HIGH, DQs and DQP _[A:B] are placed in a tristate condition. |
| V _{DD} | 15, 41, 65, 91 | Power supply | Power supply inputs to the core of the device. |
| V _{SS} | 17, 40, 67, 90 | Ground | Ground for the core of the device. |
| V _{DDQ} | 4, 11, 20, 27, 54, 61, 70, 77 | I/O power supply | Power supply for the I/O circuitry. |
| V _{SSQ} | 5, 10, 21, 26, 55, 60, 71, 76 | I/O ground | Ground for the I/O circuitry. |
| MODE | 31 | Input- static | Selects burst order. When tied to GND selects linear burst sequence. When tied to V _{DD} or left floating selects interleaved burst sequence. This is a strap pin and should remain static during device operation. Mode pin has an internal pull-up. |
| NC | 1, 2, 3, 6, 7, 14, 16, 25, 28, 29, 30, 38, 39, 42, 43, 51, 52, 53, 56, 57, 66, 75, 78, 79, 95, 96 | – | No connects. Not internally connected to the die. |

Functional Overview

All synchronous inputs pass through input registers controlled by the rising edge of the clock. All data outputs pass through output registers controlled by the rising edge of the clock.

The CY7C1328G supports secondary cache in systems utilizing either a linear or interleaved burst sequence. The interleaved burst order supports Pentium and i486™ processors. The linear burst sequence is suited for processors that utilize a linear burst sequence. The burst order is user selectable, and is determined by sampling the MODE input. Accesses can be initiated with either the processor address strobe (ADSP) or the controller address strobe (ADSC). Address advancement through the burst sequence is controlled by the ADV input. A two-bit on-chip wraparound burst counter captures the first address in a burst sequence and automatically increments the address for the rest of the burst access.

Byte write operations are qualified with the byte write enable (BWE) and byte write select (BW_[A:B]) inputs. A global write enable (GW) overrides all byte write inputs and writes data to all four bytes. All writes are simplified with on-chip synchronous self-timed write circuitry.

Synchronous chip selects \overline{CE}_1 , CE₂, \overline{CE}_3 and an asynchronous output enable (OE) provide for easy bank selection and output tristate control. ADSP is ignored if CE₁ is HIGH.

Single Read Accesses

This access is initiated when the following conditions are satisfied at clock rise: (1) ADSP or ADSC is asserted LOW, (2) chip selects are all asserted active, and (3) the write signals (GW, BWE) are all deasserted HIGH. ADSP is ignored if CE₁ is HIGH. The address presented to the address inputs is stored into

the address advancement logic and the address register while being presented to the memory core. The corresponding data is allowed to propagate to the input of the output registers. At the rising edge of the next clock the data is allowed to propagate through the output register and onto the data bus within t_{CO} if OE is active LOW. The only exception occurs when the SRAM is emerging from a deselected state to a selected state, its outputs are always tri-stated during the first cycle of the access. After the first cycle of the access, the outputs are controlled by the OE signal. Consecutive single read cycles are supported.

The CY7C1328G is a double-cycle deselect part. Once the SRAM is deselected at clock rise by the chip select and either ADSP or ADSC signals, its output will tristate immediately after the next clock rise.

Single Write Accesses Initiated by ADSP

This access is initiated when both of the following conditions are satisfied at clock rise: (1) ADSP is asserted LOW, and (2) chip select is asserted active. The address presented is loaded into the address register and the address advancement logic while being delivered to the memory core. The write signals (GW, BWE, and BW_[A:B]) and ADV inputs are ignored during this first cycle.

ADSP triggered write accesses require two clock cycles to complete. If GW is asserted LOW on the second clock rise, the data presented to the DQx inputs is written into the corresponding address location in the memory core. If GW is HIGH, then the write operation is controlled by BWE and BW_[A:B] signals. The CY7C1328G provides byte write capability that is described in the Write Cycle Description table. Asserting the byte write enable input (BWE) with the selected byte write input will selectively write to only the desired bytes. Bytes not selected

during a byte write operation will remain unaltered. A synchronous self-timed write mechanism has been provided to simplify the write operations.

Because the CY7C1328G is a common I/O device, the output enable (OE) must be deasserted HIGH before presenting data to the DQ inputs. Doing so will tristate the output drivers. As a safety precaution, DQ are automatically tri-stated whenever a write cycle is detected, regardless of the state of OE.

Single Write Accesses Initiated by ADSC

$\overline{\text{ADSC}}$ write accesses are initiated when the following conditions are satisfied: (1) ADSC is asserted LOW, (2) ADSP is deasserted HIGH, (3) chip select is asserted active, and (4) the appropriate combination of the write inputs (GW, BWE, and $\overline{\text{BW}}_{[A:B]}$) are asserted active to conduct a write to the desired byte(s). ADSC triggered write accesses require a single clock cycle to complete. The address presented is loaded into the address register and the address advancement logic while being delivered to the memory core. The ADV input is ignored during this cycle. If a global write is conducted, the data presented to the DQ_X is written into the corresponding address location in the memory core. If a byte write is conducted, only the selected bytes are written. Bytes not selected during a byte write operation will remain unaltered. A synchronous self-timed write mechanism has been provided to simplify the write operations.

Because the CY7C1328G is a common I/O device, the output enable (OE) must be deasserted HIGH before presenting data to the DQ_X inputs. Doing so will tristate the output drivers. As a safety precaution, DQ_X are automatically tri-stated whenever a write cycle is detected, regardless of the state of OE.

Burst Sequences

The CY7C1328G provides a two-bit wraparound counter, fed by A_[1:0], that implements either an interleaved or linear burst sequence. The interleaved burst sequence is designed specifically to support Intel Pentium applications. The linear burst sequence is designed to support processors that follow a linear burst sequence. The burst sequence is user selectable through the MODE input. Both read and write burst operations are supported.

Asserting $\overline{\text{ADV}}$ LOW at clock rise will automatically increment the burst counter to the next address in the burst sequence. Both read and write burst operations are supported.

Sleep Mode

The ZZ input pin is an asynchronous input. Asserting ZZ places the SRAM in a power conservation “sleep” mode. Two clock cycles are required to enter into or exit from this “sleep” mode. While in this mode, data integrity is guaranteed. Accesses pending when entering the “sleep” mode are not considered valid nor is the completion of the operation guaranteed. The device must be deselected prior to entering the “sleep” mode. CEs, ADSP, and ADSC must remain inactive for the duration of t_{ZZREC} after the ZZ input returns LOW.

Interleaved Burst Address Table

(MODE = Floating or V_{DD})

| First Address A1:A0 | Second Address A1:A0 | Third Address A1:A0 | Fourth Address A1:A0 |
|---------------------|----------------------|---------------------|----------------------|
| 00 | 01 | 10 | 11 |
| 01 | 00 | 11 | 10 |
| 10 | 11 | 00 | 01 |
| 11 | 10 | 01 | 00 |

Linear Burst Address Table

(MODE = GND)

| First Address A1:A0 | Second Address A1:A0 | Third Address A1:A0 | Fourth Address A1:A0 |
|---------------------|----------------------|---------------------|----------------------|
| 00 | 01 | 10 | 11 |
| 01 | 10 | 11 | 00 |
| 10 | 11 | 00 | 01 |
| 11 | 00 | 01 | 10 |

ZZ Mode Electrical Characteristics

| Parameter | Description | Test Conditions | Min | Max | Unit |
|--------------------|------------------------------------|------------------------------|-------------------|-------------------|------|
| I _{DDZZ} | Snooze mode standby current | ZZ ≥ V _{DD} - 0.2 V | – | 40 | mA |
| t _{ZZS} | Device operation to ZZ | ZZ ≥ V _{DD} - 0.2 V | – | 2t _{CYC} | ns |
| t _{ZZREC} | ZZ recovery time | ZZ ≤ 0.2 V | 2t _{CYC} | – | ns |
| t _{ZZI} | ZZ active to snooze current | This parameter is sampled | – | 2t _{CYC} | ns |
| t _{RZZI} | ZZ inactive to exit snooze current | This parameter is sampled | 0 | – | ns |

Truth Table

The Truth Table for part CY7C1328G is as follows. [3, 4, 5, 6, 7]

| Operation | Address Used | \overline{CE}_1 | CE_2 | \overline{CE}_3 | ZZ | \overline{ADSP} | \overline{ADSC} | \overline{ADV} | \overline{WRITE} | \overline{OE} | CLK | DQ |
|------------------------------|--------------|-------------------|--------|-------------------|----|-------------------|-------------------|------------------|--------------------|-----------------|-----|----------|
| Deselected cycle, power-down | None | H | X | X | L | X | L | X | X | X | L-H | Tristate |
| Deselected cycle, power-down | None | L | L | X | L | L | X | X | X | X | L-H | Tristate |
| Deselected cycle, power-down | None | L | X | H | L | L | X | X | X | X | L-H | Tristate |
| Deselected cycle, power-down | None | L | L | X | L | H | L | X | X | X | L-H | Tristate |
| Deselected cycle, power-down | None | L | X | H | L | H | L | X | X | X | L-H | Tristate |
| ZZ mode, power-down | None | X | X | X | H | X | X | X | X | X | X | Tristate |
| Read cycle, begin burst | External | L | H | L | L | L | X | X | X | L | L-H | Q |
| Read cycle, begin burst | External | L | H | L | L | L | X | X | X | H | L-H | Tristate |
| Write cycle, begin burst | External | L | H | L | L | H | L | X | L | X | L-H | D |
| Read cycle, begin burst | External | L | H | L | L | H | L | X | H | L | L-H | Q |
| Read cycle, begin burst | External | L | H | L | L | H | L | X | H | H | L-H | Tristate |
| Read cycle, continue burst | Next | X | X | X | L | H | H | L | H | L | L-H | Q |
| Read cycle, continue burst | Next | X | X | X | L | H | H | L | H | H | L-H | Tristate |
| Read cycle, continue burst | Next | H | X | X | L | X | H | L | H | L | L-H | Q |
| Read cycle, continue burst | Next | H | X | X | L | X | H | L | H | H | L-H | Tristate |
| Write cycle, continue burst | Next | X | X | X | L | H | H | L | L | X | L-H | D |
| Write cycle, continue burst | Next | H | X | X | L | X | H | L | L | X | L-H | D |
| Read cycle, suspend burst | Current | X | X | X | L | H | H | H | H | L | L-H | Q |
| Read cycle, suspend burst | Current | X | X | X | L | H | H | H | H | H | L-H | Tristate |
| Read cycle, suspend burst | Current | H | X | X | L | X | H | H | H | L | L-H | Q |
| Read cycle, suspend burst | Current | H | X | X | L | X | H | H | H | H | L-H | Tristate |
| Write cycle, suspend burst | Current | X | X | X | L | H | H | H | L | X | L-H | D |
| Write cycle, suspend burst | Current | H | X | X | L | X | H | H | L | X | L-H | D |

Notes

- X = "Don't Care." H = Logic HIGH, L = Logic LOW.
- \overline{WRITE} = L when any one or more byte write enable signals (\overline{BW}_A , \overline{BW}_B) and \overline{BWE} = L or \overline{GW} = L. \overline{WRITE} = H when all byte write enable signals (\overline{BW}_A , \overline{BW}_B), \overline{BWE} , \overline{GW} = H.
- The DQ pins are controlled by the current cycle and the \overline{OE} signal. \overline{OE} is asynchronous and is not sampled with the clock.
- The \overline{SRAM} always initiates a read cycle when \overline{ADSP} is asserted, regardless of the state of \overline{GW} , \overline{BWE} , or \overline{BW}_X . Writes may occur only on subsequent clocks after the \overline{ADSP} or with the assertion of \overline{ADSC} . As a result, \overline{OE} must be driven HIGH prior to the start of the write cycle to allow the outputs to tristate. \overline{OE} is a don't care for the remainder of the write cycle.
- \overline{OE} is asynchronous and is not sampled with the clock rise. It is masked internally during write cycles. During a read cycle all data bits are tristate when \overline{OE} is inactive or when the device is deselected, and all data bits behave as output when \overline{OE} is active (LOW).

Truth Table for Read/Write

The Truth Table for read or write for part CY7C1328G is as follows. [8]

| Function | \overline{GW} | \overline{BWE} | \overline{BW}_A | \overline{BW}_B |
|--|-----------------|------------------|-------------------|-------------------|
| Read | H | H | X | X |
| Read | H | L | H | H |
| Write byte A – (DQ _A and DQP _A) | H | L | L | H |
| Write byte B – (DQ _B and DQP _B) | H | L | H | L |
| Write all bytes | H | L | L | L |
| Write all bytes | L | X | X | X |

Note

8. X = "Don't Care." H = Logic HIGH, L = Logic LOW.

Maximum Ratings

Exceeding maximum ratings may shorten the useful life of the device. User guidelines are not tested.

- Storage temperature -65 °C to +150 °C
- Ambient temperature with power applied -55 °C to +125 °C
- Supply voltage on V_{DD} relative to GND -0.5 V to +4.6 V
- Supply voltage on V_{DDQ} relative to GND -0.5 V to +V_{DD}
- DC voltage applied to outputs in tristate -0.5 V to V_{DDQ} + 0.5 V

- DC input voltage -0.5 V to V_{DD} + 0.5 V
- Current into outputs (LOW) 20 mA
- Static discharge voltage (per MIL-STD-883, method 3015) > 2001 V
- Latch up current > 200 mA

Operating Range

| Range | Ambient Temperature (T _A) | V _{DD} | V _{DDQ} |
|------------|---------------------------------------|--------------------|-------------------------------|
| Industrial | -40 °C to +85 °C | 3.3 V - 5% / + 10% | 2.5 V - 5% to V _{DD} |

Electrical Characteristics

Over the Operating Range

| Parameter ^[9, 10] | Description | Test Conditions | Min | Max | Unit |
|------------------------------|---|--|-------|-------------------------|------|
| V _{DD} | Power supply voltage | | 3.135 | 3.6 | V |
| V _{DDQ} | I/O supply voltage | | 2.375 | V _{DD} | V |
| V _{OH} | Output HIGH voltage | V _{DDQ} = 3.3 V, V _{DD} = Min, I _{OH} = -4.0 mA | 2.4 | - | V |
| | | V _{DDQ} = 2.5 V, V _{DD} = Min, I _{OH} = -1.0 mA | 2.0 | - | V |
| V _{OL} | Output LOW voltage | V _{DDQ} = 3.3 V, V _{DD} = Max, I _{OL} = 8.0 mA | - | 0.4 | V |
| | | V _{DDQ} = 2.5 V, V _{DD} = Max, I _{OL} = 1.0 mA | - | 0.4 | V |
| V _{IH} | Input HIGH voltage ^[9] | V _{DDQ} = 3.3 V | 2.0 | V _{DD} + 0.3 V | V |
| | | V _{DDQ} = 2.5 V | 1.7 | V _{DD} + 0.3 V | V |
| V _{IL} | Input LOW voltage ^[9] | V _{DDQ} = 3.3 V | -0.3 | 0.8 | V |
| | | V _{DDQ} = 2.5 V | -0.3 | 0.7 | V |
| I _X | Input leakage current except ZZ and MODE | GND ≤ V _I ≤ V _{DDQ} | -5 | 5 | µA |
| | Input current of MODE | Input = V _{SS} | -30 | - | µA |
| | | Input = V _{DD} | - | 5 | µA |
| | Input current of ZZ | Input = V _{SS} | -5 | - | µA |
| Input = V _{DD} | | - | 30 | µA | |
| I _{OZ} | Output leakage current | GND ≤ V _I ≤ V _{DDQ} , output disabled | -5 | 5 | µA |
| I _{DD} | V _{DD} operating supply current | V _{DD} = Max, I _{OUT} = 0 mA, f = f _{MAX} = 1/t _{CYC} | - | 225 | mA |
| I _{SB1} | Automatic CE power-down current – TTL inputs | V _{DD} = Max, device deselected, V _{IN} ≥ V _{IH} or V _{IN} ≤ V _{IL} , f = f _{MAX} = 1/t _{CYC} | - | 90 | mA |
| I _{SB2} | Automatic CE power-down current – CMOS inputs | V _{DD} = Max, device deselected, V _{IN} ≤ 0.3 V or V _{IN} ≥ V _{DDQ} - 0.3 V, f = 0 | - | 40 | mA |
| I _{SB3} | Automatic CE power-down current – CMOS inputs | V _{DD} = Max, device deselected, V _{IN} ≤ 0.3 V or V _{IN} ≥ V _{DDQ} - 0.3 V, f = f _{MAX} = 1/t _{CYC} | - | 75 | mA |
| I _{SB4} | Automatic CE power-down current – TTL inputs | V _{DD} = Max, device deselected, V _{IN} ≥ V _{IH} or V _{IN} ≤ V _{IL} , f = 0 | - | 45 | mA |

Notes

- 9. Overshoot: V_{IH(AC)} < V_{DD} + 1.5 V (Pulse width less than t_{CYC}/2), undershoot: V_{IL(AC)} > - 2 V (Pulse width less than t_{CYC}/2).
- 10. T_{Power-up}: Assumes a linear ramp from 0 V to V_{DD(min)} within 200 ms. During this time V_{IH} < V_{DD} and V_{DDQ} ≤ V_{DD}.

Capacitance

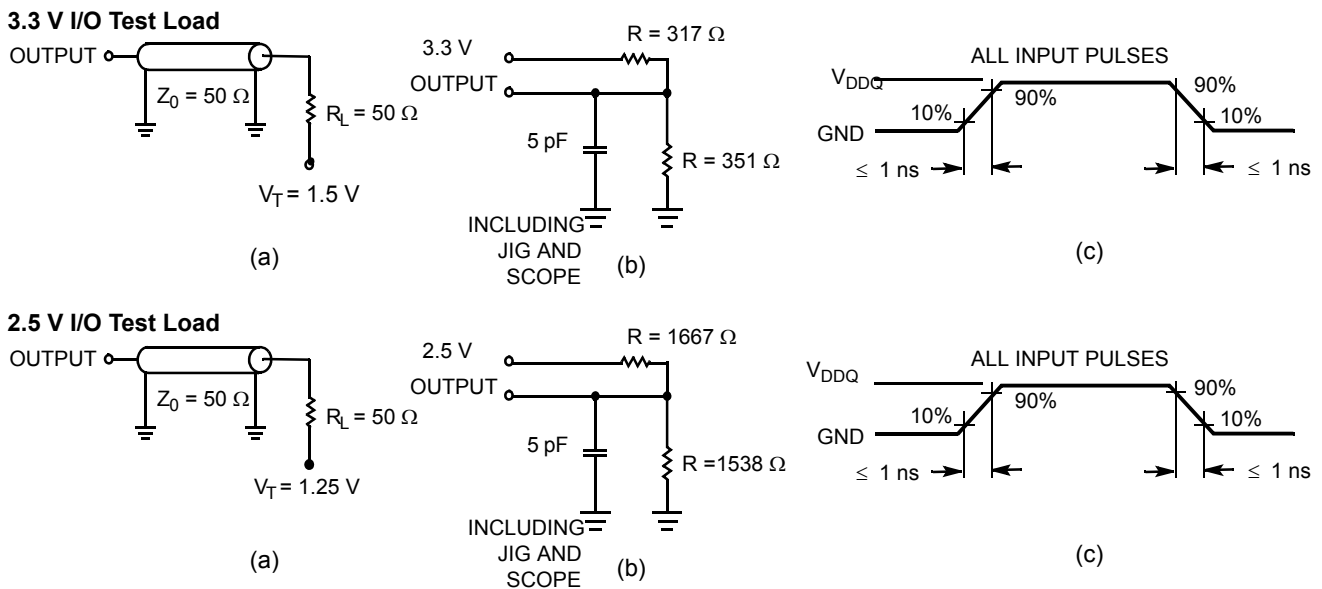
| Parameter ^[11] | Description | Test Conditions | 100-pin TQFP Max | Unit |
|---------------------------|--------------------------|---|------------------|------|
| C _{IN} | Input capacitance | T _A = 25 °C, f = 1 MHz, V _{DD} = 3.3 V, V _{DDQ} = 3.3 V | 5 | pF |
| C _{CLK} | Clock input capacitance | | 5 | pF |
| C _{I/O} | Input/Output capacitance | | 5 | pF |

Thermal Resistance

| Parameter ^[11] | Description | Test Conditions | 100-pin TQFP Package | Unit |
|---------------------------|--|--|----------------------|------|
| Θ _{JA} | Thermal resistance (junction to ambient) | Test conditions follow standard test methods and procedures for measuring thermal impedance, per EIA/JESD51. | 30.32 | °C/W |
| Θ _{JC} | Thermal resistance (junction to case) | | 6.85 | °C/W |

AC Test Loads and Waveforms

Figure 2. AC Test Loads and Waveforms



Note

11. Tested initially and after any design or process change that may affect these parameters.

Switching Characteristics

Over the Operating Range

| Parameter [12, 13] | Description | -133 | | Unit |
|---------------------|--|------|-----|------|
| | | Min | Max | |
| t _{POWER} | V _{DD} (typical) to the first access [14] | 1.0 | – | ms |
| Clock | | | | |
| t _{CYC} | Clock cycle time | 7.5 | – | ns |
| t _{CH} | Clock HIGH | 3.0 | – | ns |
| t _{CL} | Clock LOW | 3.0 | – | ns |
| Output Times | | | | |
| t _{CO} | Data output valid after CLK rise | – | 4.0 | ns |
| t _{DOH} | Data output hold after CLK rise | 1.5 | – | ns |
| t _{CLZ} | Clock to low Z [15, 16, 17] | 0 | – | ns |
| t _{CHZ} | Clock to high Z [15, 16, 17] | – | 4.0 | ns |
| t _{OEV} | \overline{OE} LOW to output valid | – | 4.0 | ns |
| t _{OELZ} | \overline{OE} LOW to output low Z [15, 16, 17] | 0 | – | ns |
| t _{OEHZ} | \overline{OE} HIGH to output high Z [15, 16, 17] | – | 4.0 | ns |
| Setup Times | | | | |
| t _{AS} | Address setup before CLK rise | 1.5 | – | ns |
| t _{ADS} | ADSC, ADSP setup before CLK rise | 1.5 | – | ns |
| t _{ADVS} | \overline{ADV} setup before CLK rise | 1.5 | – | ns |
| t _{WES} | \overline{GW} , \overline{BWE} , \overline{BW}_X setup before CLK rise | 1.5 | – | ns |
| t _{DS} | Data input setup before CLK rise | 1.5 | – | ns |
| t _{CES} | Chip enable setup before CLK rise | 1.5 | – | ns |
| Hold Times | | | | |
| t _{AH} | Address hold after CLK rise | 0.5 | – | ns |
| t _{ADH} | ADSP, ADSC hold after CLK rise | 0.5 | – | ns |
| t _{ADVH} | \overline{ADV} hold after CLK rise | 0.5 | – | ns |
| t _{WEH} | \overline{GW} , \overline{BWE} , \overline{BW}_X hold after CLK rise | 0.5 | – | ns |
| t _{DH} | Data input hold after CLK rise | 0.5 | – | ns |
| t _{CEH} | Chip enable hold after CLK rise | 0.5 | – | ns |

Notes

12. Timing reference level is 1.5 V when V_{DDQ} = 3.3 V and is 1.25 V when V_{DDQ} = 2.5 V.

13. Test conditions shown in (a) of Figure 2 on page 11 unless otherwise noted.

14. This part has a voltage regulator internally; t_{POWER} is the time that the power needs to be supplied above V_{DD(minimum)} initially before a read or write operation can be initiated.

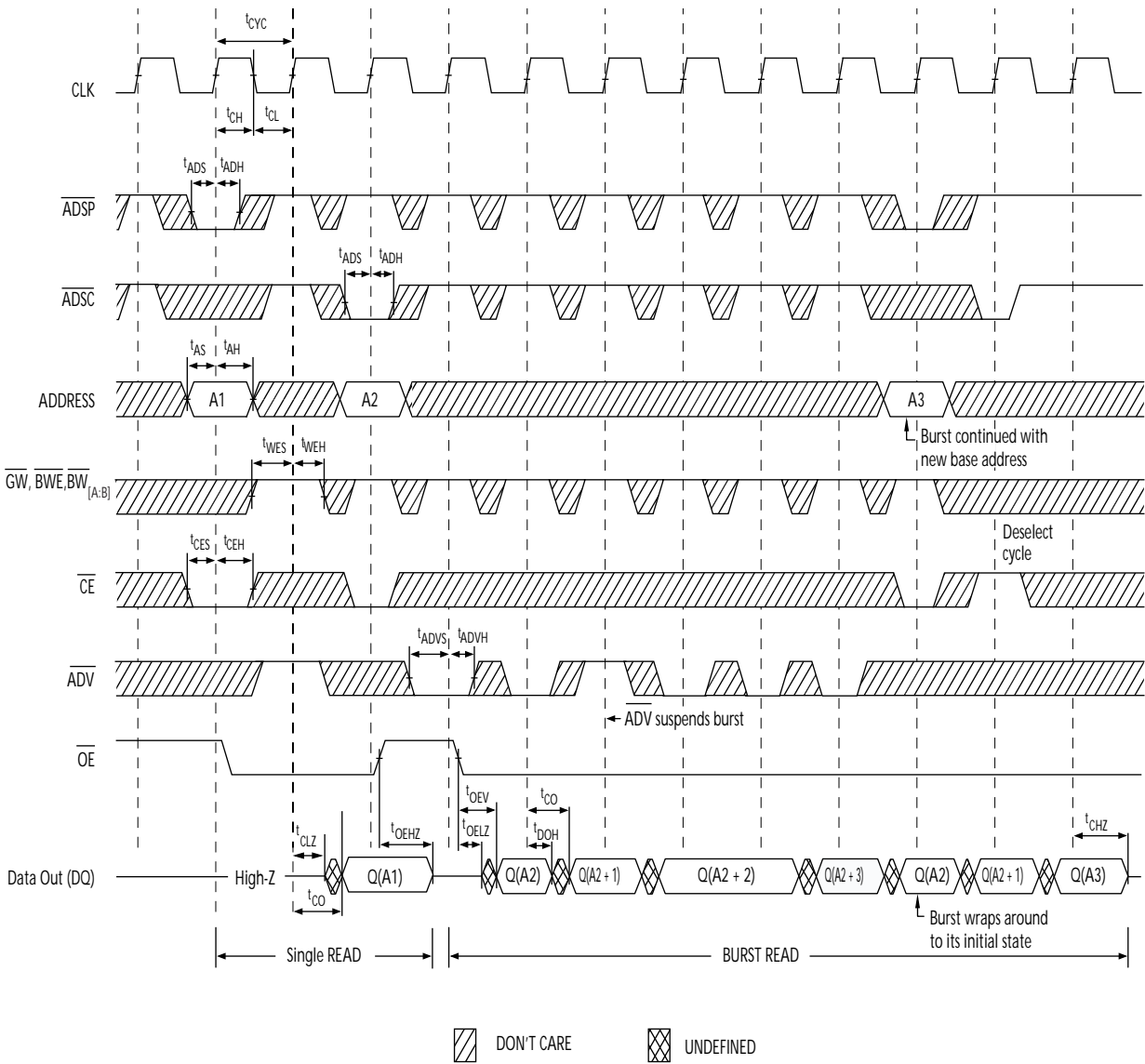
15. t_{CHZ}, t_{CLZ}, t_{OELZ}, and t_{OEHZ} are specified with AC test conditions shown in part (b) of Figure 2 on page 11. Transition is measured ±200 mV from steady-state voltage.

16. At any given voltage and temperature, t_{OEHZ} is less than t_{OELZ} and t_{CHZ} is less than t_{CLZ} to eliminate bus contention between SRAMs when sharing the same data bus. These specifications do not imply a bus contention condition, but reflect parameters guaranteed over worst case user conditions. Device is designed to achieve high Z prior to low Z under the same system conditions.

17. This parameter is sampled and not 100% tested.

Switching Waveforms

Figure 3. Read Timing [18]

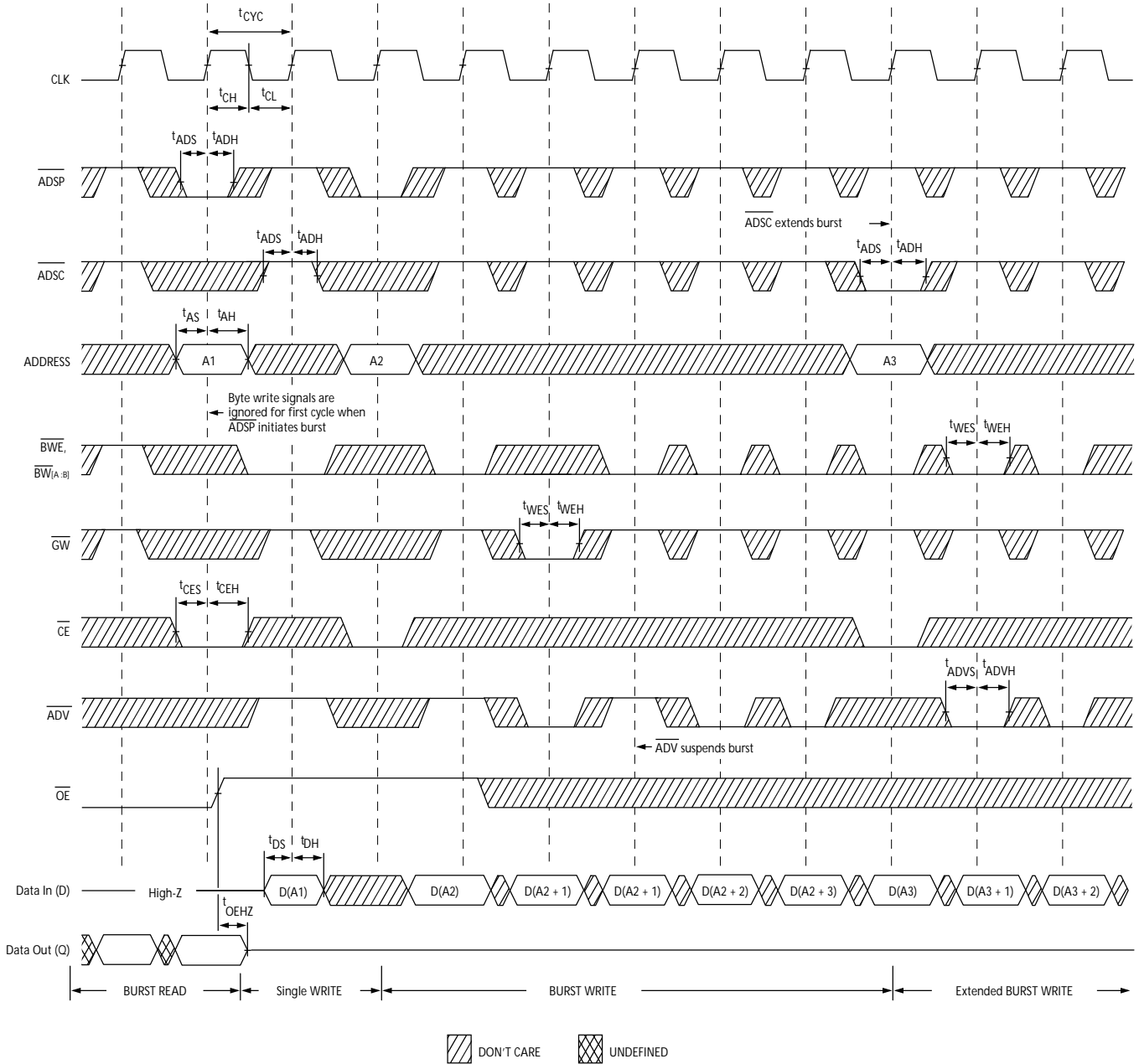


Note

18. On this diagram, when \overline{CE} is LOW: \overline{CE}_1 is LOW, CE_2 is HIGH and \overline{CE}_3 is LOW. When \overline{CE} is HIGH: \overline{CE}_1 is HIGH or CE_2 is LOW or \overline{CE}_3 is HIGH.

Switching Waveforms (continued)

Figure 4. Write Timing [19, 20]

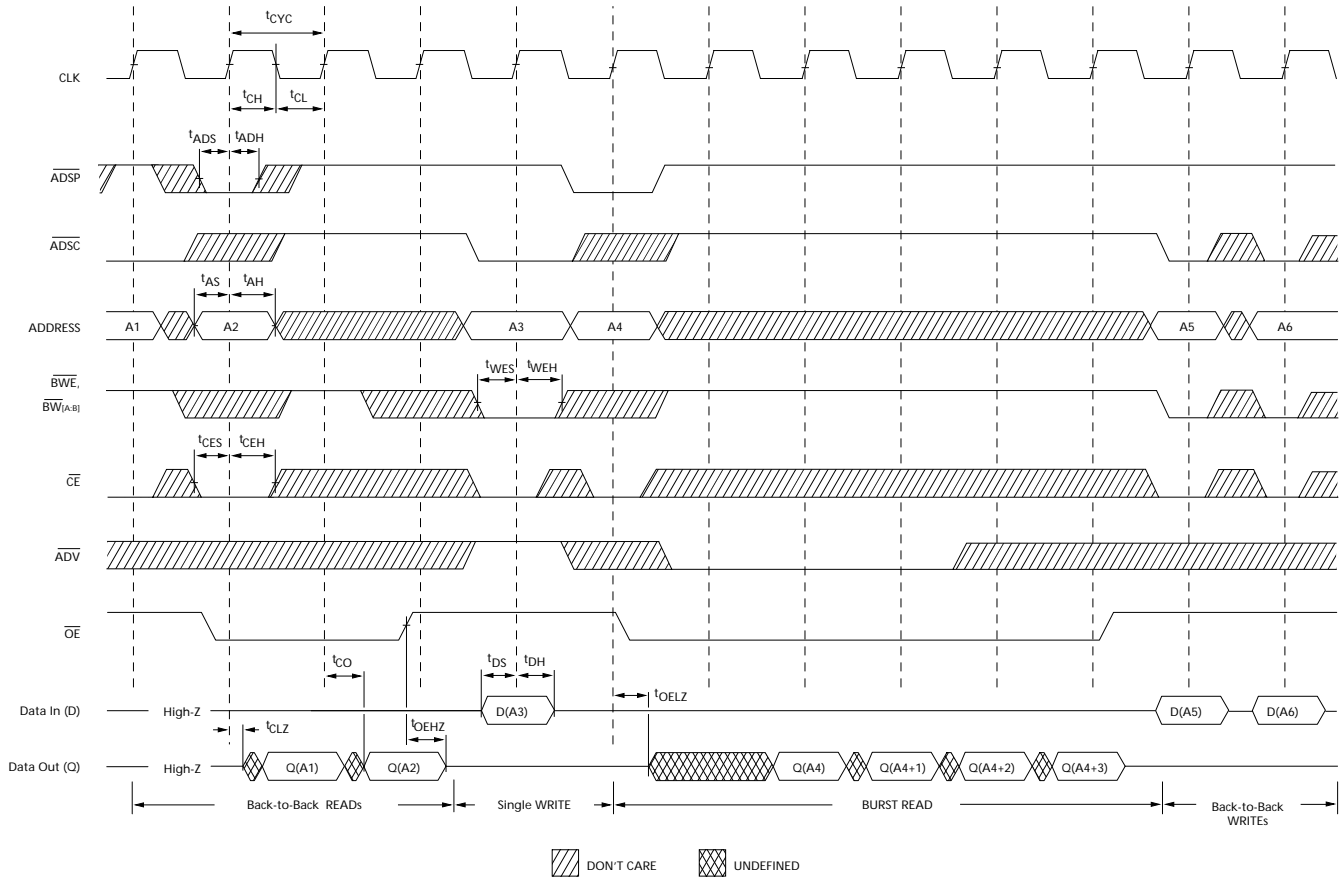


Notes

- 19. On this diagram, when \overline{CE} is LOW: \overline{CE}_1 is LOW, CE_2 is HIGH and \overline{CE}_3 is LOW. When \overline{CE} is HIGH: \overline{CE}_1 is HIGH or CE_2 is LOW or \overline{CE}_3 is HIGH.
- 20. Full width write can be initiated by either \overline{GW} LOW; or by \overline{GW} HIGH, \overline{BWE} LOW and $\overline{BW}_{[A:B]}$ LOW.

Switching Waveforms (continued)

Figure 5. Read/Write Timing [21, 22, 23]

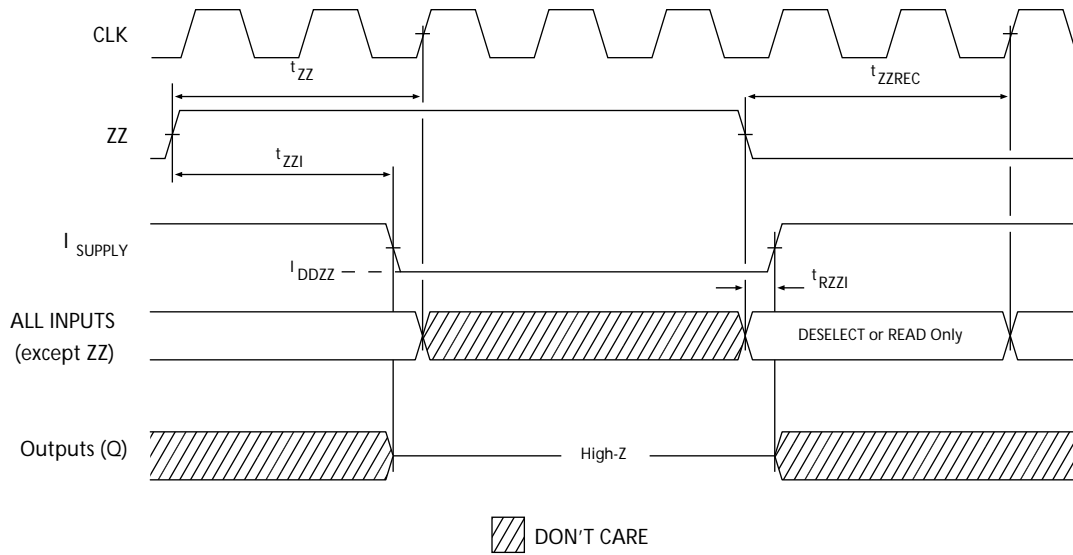


Notes

- 21. On this diagram, when \overline{CE} is LOW: \overline{CE}_1 is LOW, \overline{CE}_2 is HIGH and \overline{CE}_3 is LOW. When \overline{CE} is HIGH: \overline{CE}_1 is HIGH or \overline{CE}_2 is LOW or \overline{CE}_3 is HIGH.
- 22. The data bus (Q) remains in high Z following a WRITE cycle, unless a new read access is initiated by ADSP or ADSC.
- 23. GW is HIGH.

Switching Waveforms (continued)

Figure 6. ZZ Mode Timing [24, 25]



Notes

- 24. Device must be deselected when entering ZZ mode. See truth table for all possible signal conditions to deselect the device.
- 25. DQs are in high Z when exiting ZZ sleep mode.

Ordering Information

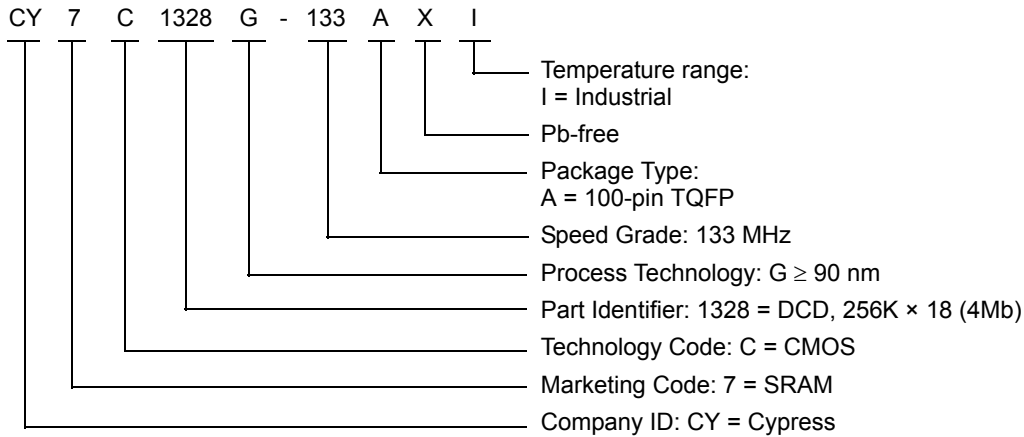
Cypress offers other versions of this type of product in many different configurations and features. The following table contains only the list of parts that are currently available.

For a complete listing of all options, visit the Cypress website at www.cypress.com and refer to the product summary page at <http://www.cypress.com/products> or contact your local sales representative.

Cypress maintains a worldwide network of offices, solution centers, manufacturer's representatives and distributors. To find the office closest to you, visit us at <http://www.cypress.com/go/datasheet/offices>.

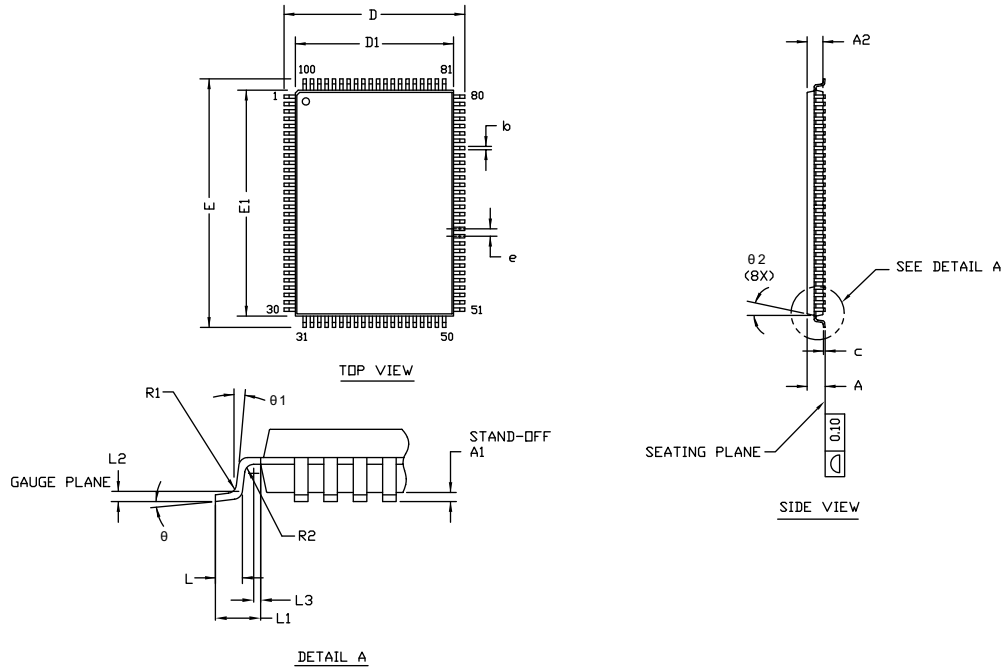
| Speed (MHz) | Ordering Code | Package Diagram | Package Type | Operating Range |
|-------------|------------------|-----------------|---|-----------------|
| 133 | CY7C1328G-133AXI | 51-85050 | 100-pin TQFP (14 × 20 × 1.4 mm) Pb-free | Industrial |

Ordering Code Definitions



Package Diagram

Figure 7. 100-pin TQFP (16 × 22 × 1.6 mm) A100RA Package Outline, 51-85050



| SYMBOL | DIMENSIONS | | |
|--------|------------|-------|-------|
| | MIN. | NOM. | MAX. |
| A | — | — | 1.60 |
| A1 | 0.05 | — | 0.15 |
| A2 | 1.35 | 1.40 | 1.45 |
| D | 15.80 | 16.00 | 16.20 |
| D1 | 13.90 | 14.00 | 14.10 |
| E | 21.80 | 22.00 | 22.20 |
| E1 | 19.90 | 20.00 | 20.10 |
| R1 | 0.08 | — | 0.20 |
| R2 | 0.08 | — | 0.20 |
| θ | 0° | — | 7° |
| θ1 | 0° | — | — |
| θ2 | 11° | 12° | 13° |
| c | — | — | 0.20 |
| b | 0.22 | 0.30 | 0.38 |
| L | 0.45 | 0.60 | 0.75 |
| L1 | 1.00 REF | | |
| L2 | 0.25 BSC | | |
| L3 | 0.20 | — | — |
| e | 0.65 TYP | | |

NOTE:

- ALL DIMENSIONS ARE IN MILLIMETERS.
- BODY LENGTH DIMENSION DOES NOT INCLUDE MOLD PROTRUSION/END FLASH. MOLD PROTRUSION/END FLASH SHALL NOT EXCEED 0.0098 in (0.25 mm) PER SIDE. BODY LENGTH DIMENSIONS ARE MAX PLASTIC BODY SIZE INCLUDING MOLD MISMATCH.
- JEDEC SPECIFICATION NO. REF: MS-026.

51-85050 *F

Acronyms

| Acronym | Description |
|-----------------|--|
| \overline{CE} | Chip Enable |
| CMOS | Complementary Metal Oxide Semiconductor |
| EIA | Electronic Industries Alliance |
| I/O | Input/Output |
| JEDEC | Joint Electron Devices Engineering Council |
| \overline{OE} | Output Enable |
| SRAM | Static Random Access Memory |
| TQFP | Thin Quad Flat Pack |
| TTL | Transistor-Transistor Logic |

Document Conventions

Units of Measure

| Symbol | Unit of Measure |
|--------|-----------------|
| °C | degree Celsius |
| MHz | megahertz |
| μA | microampere |
| mA | milliampere |
| mm | millimeter |
| ms | millisecond |
| mV | millivolt |
| nm | nanometer |
| ns | nanosecond |
| Ω | ohm |
| % | percent |
| pF | picofarad |
| V | volt |
| W | watt |

Errata

This section describes the Ram9 Sync ZZ pin issue. Details include trigger conditions, the devices affected, proposed workaround and silicon revision applicability. Please contact your local Cypress sales representative if you have further questions.

Part Numbers Affected

| Density & Revision | Package Type | Operating Range |
|---------------------------------------|--------------|-----------------|
| 4Mb-Ram9 Synchronous SRAMs: CY7C132*G | 100-pin TQFP | Industrial |

Product Status

All of the devices in the Ram9 4Mb Sync family are qualified and available in production quantities.

Ram9 Sync ZZ Pin Issues Errata Summary

The following table defines the errata applicable to available Ram9 4Mb Sync family devices.

| Item | Issues | Description | Device | Fix Status |
|------|--------|--|-----------------|--|
| 1. | ZZ Pin | When asserted HIGH, the ZZ pin places device in a “sleep” condition with data integrity preserved. The ZZ pin currently does not have an internal pull-down resistor and hence cannot be left floating externally by the user during normal mode of operation. | 4M-Ram9 (90 nm) | For the 4M Ram9 (90 nm) devices, there is no plan to fix this issue. |

1. ZZ Pin Issue

■ PROBLEM DEFINITION

The problem occurs only when the device is operated in the normal mode with ZZ pin left floating. The ZZ pin on the SRAM device does not have an internal pull-down resistor. Switching noise in the system may cause the SRAM to recognize a HIGH on the ZZ input, which may cause the SRAM to enter sleep mode. This could result in incorrect or undesirable operation of the SRAM.

■ TRIGGER CONDITIONS

Device operated with ZZ pin left floating.

■ SCOPE OF IMPACT

When the ZZ pin is left floating, the device delivers incorrect data.

■ WORKAROUND

Tie the ZZ pin externally to ground.

■ FIX STATUS

For the 4M Ram9 (90 nm) devices, there is no plan to fix this issue.

Document History Page

| Document Title: CY7C1328G, 4-Mbit (256K × 18) Pipelined DCD Sync SRAM Document Number: 38-05523 | | | | |
|--|---------|------------|-----------------|--|
| Rev. | ECN No. | Issue Date | Orig. of Change | Description of Change |
| ** | 224371 | See ECN | RKF | New data sheet. |
| *A | 288909 | See ECN | VBL | Updated Ordering Information (Changed TQFP package to Pb-free TQFP package). |
| *B | 333625 | See ECN | SYT | Updated Pin Configurations (Modified Address Expansion balls in the pinouts for 100-pin TQFP Package as per JEDEC standards). Updated Pin Definitions . Updated Electrical Characteristics (Updated test conditions for V_{OL} and V_{OH} parameters). Updated Thermal Resistance (Replaced TBD's for Θ_{JA} and Θ_{JC} to their respective values). Updated Ordering Information (By shading and unshading MPNs as per availability). |
| *C | 419264 | See ECN | R XU | Changed status from Preliminary to Final. Changed address of Cypress Semiconductor Corporation from "3901 North First Street" to "198 Champion Court". Updated Features (Removed 133 MHz frequency related information, replaced 166 MHz with 167 MHz). Updated Selection Guide (Removed 133 MHz frequency related information, replaced 166 MHz with 167 MHz). Updated Electrical Characteristics (Updated Note 10 (Changed test condition from $V_{IH} \leq V_{DD}$ to $V_{IH} < V_{DD}$), changed the test condition for V_{OL} parameter from $V_{DD} = \text{Min.}$ to $V_{DD} = \text{Max.}$, changed "Input Load Current except ZZ and MODE" to "Input Leakage Current except ZZ and MODE", removed 133 MHz frequency related information, replaced 166 MHz with 167 MHz). Updated Switching Characteristics (Removed 133 MHz frequency related information, replaced 166 MHz with 167 MHz). Updated Ordering Information (Updated part numbers, replaced Package Name column with Package Diagram in the Ordering Information table). Updated Package Diagram . |
| *D | 430373 | See ECN | NXR | Updated Features (Included 133 MHz frequency related information). Updated Selection Guide (Included 133 MHz frequency related information). Updated Electrical Characteristics (Included 133 MHz frequency related information). Updated Switching Characteristics (Included 133 MHz frequency related information). Updated Ordering Information (Updated part numbers). |
| *E | 480368 | See ECN | VKN | Updated Maximum Ratings (Added the Maximum Rating for Supply Voltage on V_{DDQ} Relative to GND). Updated Ordering Information (Updated part numbers). |
| *F | 2896584 | 03/20/2010 | NJY | Updated Ordering Information (Removed obsolete part numbers). Updated Package Diagram . |
| *G | 3045943 | 10/03/2010 | NJY | Added Ordering Code Definitions . Added Acronyms and Units of Measure . Minor edits. Updated to new template. |
| *H | 3353361 | 08/24/2011 | PRIT | Updated Functional Description (Updated Note as "For best practices recommendations, refer to SRAM System Design Guidelines ." and referred the note in same place in this section). Updated Package Diagram . |

Document History Page *(continued)*

| Document Title: CY7C1328G, 4-Mbit (256K × 18) Pipelined DCD Sync SRAM Document Number: 38-05523 | | | | |
|--|---------|------------|-----------------|--|
| Rev. | ECN No. | Issue Date | Orig. of Change | Description of Change |
| *I | 3589101 | 04/17/2012 | NJY / PRIT | Updated Features (Removed 250 MHz, 200 MHz and 167 MHz frequencies related information). Updated Functional Description (Removed the Note “For best practices recommendations, refer to SRAM System Design Guidelines .”). Updated Selection Guide (Removed 250 MHz, 200 MHz and 167 MHz frequencies related information). Updated Operating Range (Removed Commercial Temperature Range). Updated Electrical Characteristics (Removed 250 MHz, 200 MHz and 167 MHz frequencies related information). Updated Switching Characteristics (Removed 250 MHz, 200 MHz and 167 MHz frequencies related information). |
| *J | 3754982 | 09/25/2012 | PRIT | No technical updates. Completing Sunset Review. |
| *K | 3990978 | 05/04/2013 | PRIT | Added Errata . |
| *L | 4039556 | 06/25/2013 | PRIT | Added Errata Footnotes. Updated to new template. |
| *M | 4150716 | 10/08/2013 | PRIT | Updated Errata . |
| *N | 4539104 | 10/15/2014 | PRIT | Updated Package Diagram : spec 51-85050 – Changed revision from *D to *E. Completing Sunset Review. |
| *O | 4571917 | 11/18/2014 | PRIT | Updated Functional Description : Added “For a complete list of related documentation, click here .” at the end. |
| *P | 5515684 | 11/09/2016 | PRIT | Updated Package Diagram : spec 51-85050 – Changed revision from *E to *F. Updated to new template. Completing Sunset Review. |

Sales, Solutions, and Legal Information

Worldwide Sales and Design Support

Cypress maintains a worldwide network of offices, solution centers, manufacturer's representatives, and distributors. To find the office closest to you, visit us at [Cypress Locations](#).

Products

| | |
|-------------------------------|--|
| ARM® Cortex® Microcontrollers | cypress.com/arm |
| Automotive | cypress.com/automotive |
| Clocks & Buffers | cypress.com/clocks |
| Interface | cypress.com/interface |
| Internet of Things | cypress.com/iot |
| Lighting & Power Control | cypress.com/powerpsoc |
| Memory | cypress.com/memory |
| PSoC | cypress.com/psoc |
| Touch Sensing | cypress.com/touch |
| USB Controllers | cypress.com/usb |
| Wireless/RF | cypress.com/wireless |

PSoC® Solutions

[PSoC 1](#) | [PSoC 3](#) | [PSoC 4](#) | [PSoC 5LP](#)

Cypress Developer Community

[Forums](#) | [Projects](#) | [Video](#) | [Blogs](#) | [Training](#) | [Components](#)

Technical Support

cypress.com/support

© Cypress Semiconductor Corporation, 2004-2016. This document is the property of Cypress Semiconductor Corporation and its subsidiaries, including Spansion LLC ("Cypress"). This document, including any software or firmware included or referenced in this document ("Software"), is owned by Cypress under the intellectual property laws and treaties of the United States and other countries worldwide. Cypress reserves all rights under such laws and treaties and does not, except as specifically stated in this paragraph, grant any license under its patents, copyrights, trademarks, or other intellectual property rights. If the Software is not accompanied by a license agreement and you do not otherwise have a written agreement with Cypress governing the use of the Software, then Cypress hereby grants you a personal, non-exclusive, nontransferable license (without the right to sublicense) (1) under its copyright rights in the Software (a) for Software provided in source code form, to modify and reproduce the Software solely for use with Cypress hardware products, only internally within your organization, and (b) to distribute the Software in binary code form externally to end users (either directly or indirectly through resellers and distributors), solely for use on Cypress hardware product units, and (2) under those claims of Cypress's patents that are infringed by the Software (as provided by Cypress, unmodified) to make, use, distribute, and import the Software solely for use with Cypress hardware products. Any other use, reproduction, modification, translation, or compilation of the Software is prohibited.

TO THE EXTENT PERMITTED BY APPLICABLE LAW, CYPRESS MAKES NO WARRANTY OF ANY KIND, EXPRESS OR IMPLIED, WITH REGARD TO THIS DOCUMENT OR ANY SOFTWARE OR ACCOMPANYING HARDWARE, INCLUDING, BUT NOT LIMITED TO, THE IMPLIED WARRANTIES OF MERCHANTABILITY AND FITNESS FOR A PARTICULAR PURPOSE. To the extent permitted by applicable law, Cypress reserves the right to make changes to this document without further notice. Cypress does not assume any liability arising out of the application or use of any product or circuit described in this document. Any information provided in this document, including any sample design information or programming code, is provided only for reference purposes. It is the responsibility of the user of this document to properly design, program, and test the functionality and safety of any application made of this information and any resulting product. Cypress products are not designed, intended, or authorized for use as critical components in systems designed or intended for the operation of weapons, weapons systems, nuclear installations, life-support devices or systems, other medical devices or systems (including resuscitation equipment and surgical implants), pollution control or hazardous substances management, or other uses where the failure of the device or system could cause personal injury, death, or property damage ("Unintended Uses"). A critical component is any component of a device or system whose failure to perform can be reasonably expected to cause the failure of the device or system, or to affect its safety or effectiveness. Cypress is not liable, in whole or in part, and you shall and hereby do release Cypress from any claim, damage, or other liability arising from or related to all Unintended Uses of Cypress products. You shall indemnify and hold Cypress harmless from and against all claims, costs, damages, and other liabilities, including claims for personal injury or death, arising from or related to any Unintended Uses of Cypress products.

Cypress, the Cypress logo, Spansion, the Spansion logo, and combinations thereof, WICED, PSoC, CapSense, EZ-USB, F-RAM, and Traveo are trademarks or registered trademarks of Cypress in the United States and other countries. For a more complete list of Cypress trademarks, visit cypress.com. Other names and brands may be claimed as property of their respective owners.