

Horizontal Test Jack Insulated Standard

SPECIFICATIONS

Contact: Copper aluminum alloy*

Finish: Gold or Silver

Body: Nylon 6/6 per ASTM D4066

RATINGS

Current: 5 amps

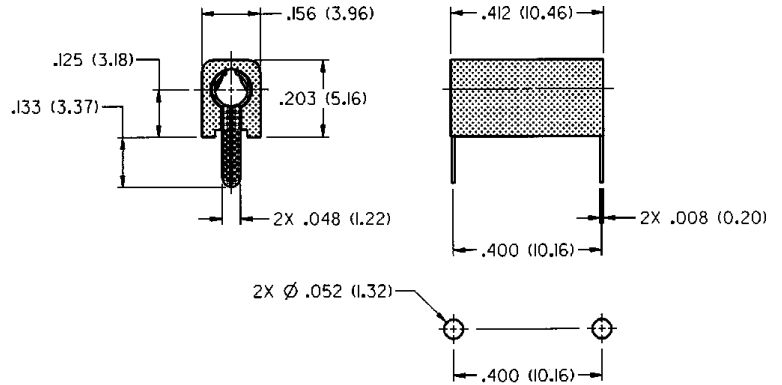
Breakdown Voltage: 2100 Vrms minimum

Contact Resistance: Gold: 0.005 ohms maximum
 Silver: 0.010 ohms maximum

Adjacent Jack C: 1 pF maximum at 1 MHz



INCHES (MILLIMETERS)
 CUSTOMER DRAWINGS AVAILABLE UPON REQUEST



MOUNTING HOLE LAYOUT

SILVER PLATING
105-0756-001 Orange

For Standard Tip Plug: .080 (2.00) Diameter

FEATURES:

- Contact protected from flux and solder
- Probe access from both ends or top
- Nylon UL approved for self extinguishing

* A new material development that, for this application, meets or exceeds beryllium copper.

Mouser Electronics

Authorized Distributor

Click to View Pricing, Inventory, Delivery & Lifecycle Information:

[Cinch Connectivity Solutions:](#)

[105-0756-001](#)