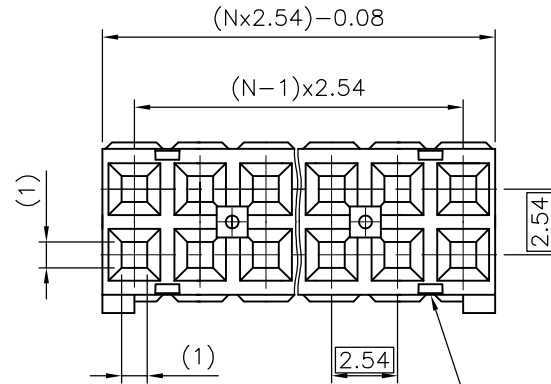


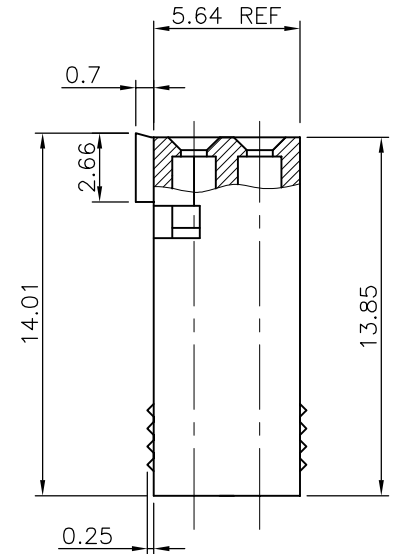
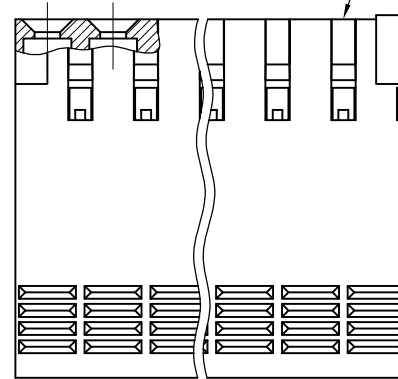
PRODUCT NUMBER

65239-YXXLF

WHEN NEEDED, SUFFIX LETTER "LF"
INDICATES THE PRODUCT IS RoHS
COMPLIANT, SEE NOTE 6
NUMBER OF CAVITIES PER ROW : 02 TO 36.
PLASTIC MATERIAL COLOR CODE.
0 = BLUE
1 = GREY



SEE NOTE 2



NOTES:

- 1 - HOUSING MAT'L: THERMOPLASTIC GLASS FILLED FLAME RETARDANT PER UL 94 V-O.
- 2 - OVER DASH -007 ONLY FIRST AND LAST THREE POSITIONS MUST HAVE GROOVES ON TWO SIDES.
- 3 - PRODUCT PACKED IN PLASTIC BAG.
- 4 - TO DETERMINE DIMENSIONS:
N = NUMBER OF POSITIONS
EXAMPLE: 8 POS: (Nx2.54)-0.08=20.24 mm.
- 5 - FOR TECHNICAL APPLICATION SEE TA317.
- 6 - RoHS COMPATIBLE PRODUCT SPECIFICATIONS

a - LABELING:

- MEETS PACKAGING SPECS AS PER GS-14-920

b - LEGAL STATEMENT: SEE GS-22-008

THE PRODUCT IS NOT INTENDED TO BE EXPOSED TO A MANUFACTURING SOLDER PROCESS.

mat'l. code SEE NOTE		surface ISO 1302	tolerance ISO 406 ISO 101	projection 101	product family DUBOX	
ltr	ecn no	dr	date	tolerances unless otherwise specified	title CtW HOUSING DR	
M	F05-0236	DLE	05.08.24	±0.3	scale 5:1	
N	F05-0286	DLE	05.11.07	linear		
P	F06-0146	DLE	06.03.10	±2'	sheet 1 of 1 size A3	
R	F06-0225	DLE	06.07.07	dr		
				L.MULIN	00.08.30	
				enrg	P.NIZZI	00.08.30
K	F04-0347	DLE	04.12.10	chr	JF.NOTTEAU	00.08.30
L	F05-0169	DLE	05.04.07	appd	P.NZ	00.08.30
sheet index		revision sheet				



Mouser Electronics

Authorized Distributor

Click to View Pricing, Inventory, Delivery & Lifecycle Information:

[FCI / Amphenol:](#)

[65239-107LF](#)