

SERIES: ETSA 150W U | **DESCRIPTION:** AC-DC POWER SUPPLY

FEATURES

- 150 W power
- universal input (90~264 Vac)
- single regulated outputs
- over voltage, over current, and short circuit protections
- UL/cUL safety approvals
- level VI efficiency
- power factor correction
- custom designs available



| MODEL | output voltage | output current max | output power max | ripple and noise ¹ max | efficiency level |
|--------------|----------------|-----------------------|---------------------|--------------------------------------|------------------|
| | (Vdc) | (A) | (W) | (mVp-p) | |
| ETSA1201167U | 12 | 11.67 | 140 | 240 | VI |
| ETSA160938U | 16 | 9.38 | 150 | 320 | VI |
| ETSA190790U | 19 | 7.90 | 150 | 380 | VI |
| ETSA240625U | 24 | 6.25 | 150 | 480 | VI |
| ETSA360417U | 36 | 4.17 | 150 | 480 | VI |
| ETSA480313U | 48 | 3.13 | 150 | 480 | VI |

Notes: 1. Ripple and noise measured with 20 MHz bandwidth oscilloscope, each output terminated with 10 μ F/50 V electrolytic and 0.1 μ F ceramic capacitors.

PART NUMBER KEY


INPUT

| parameter | conditions/description | min | typ | max | units |
|---------------------------|------------------------|-----|-----|------|-------|
| voltage | | 90 | | 264 | Vac |
| frequency | | 47 | | 63 | Hz |
| current | at 90 Vac, 50 Hz | | | 2.5 | A |
| inrush current | at 230 Vac, cold start | | | 150 | A |
| power factor correction | at full load | | 0.9 | | |
| no load power consumption | | | | 0.15 | W |

OUTPUT

| parameter | conditions/description | min | typ | max | units |
|-------------------------|--|-----|----------|-------|--------|
| regulation | 12, 16, 19 Vdc output models 24, 36, 48 Vdc output models | | ±5 ±3 | | % % |
| hold-up time | at 115/230 Vac, full load | 16 | | | ms |
| temperature coefficient | | | | ±0.05 | %/°C |

PROTECTIONS

| parameter | conditions/description | min | typ | max | units |
|--------------------------|---------------------------------|-----|-----|-----|-------|
| over voltage protection | output latch off | 110 | | 130 | % |
| over current protection | output shut down, auto recovery | 110 | | 160 | % |
| short circuit protection | output shut down, auto recovery | | | | |

SAFETY & COMPLIANCE

| parameter | conditions/description | min | typ | max | units |
|----------------------|--|----------|----------------|-----|------------|
| isolation voltage | input to output for 4 seconds input to frame ground for 4 seconds | | 4,242 2,121 | | Vdc Vdc |
| isolation resistance | input to output at 500 Vdc input to frame ground at 500 Vdc | 20 20 | | | MΩ MΩ |
| safety approvals | UL/cUL, GS | | | | |
| EMI/EMC | FCC Part 15 Class B, EN55022/EN55024 Class B, CE | | | | |
| MTBF | at full load, 25°C | 140,000 | | | hours |
| RoHS | 2011/65/EU | | | | |

ENVIRONMENTAL

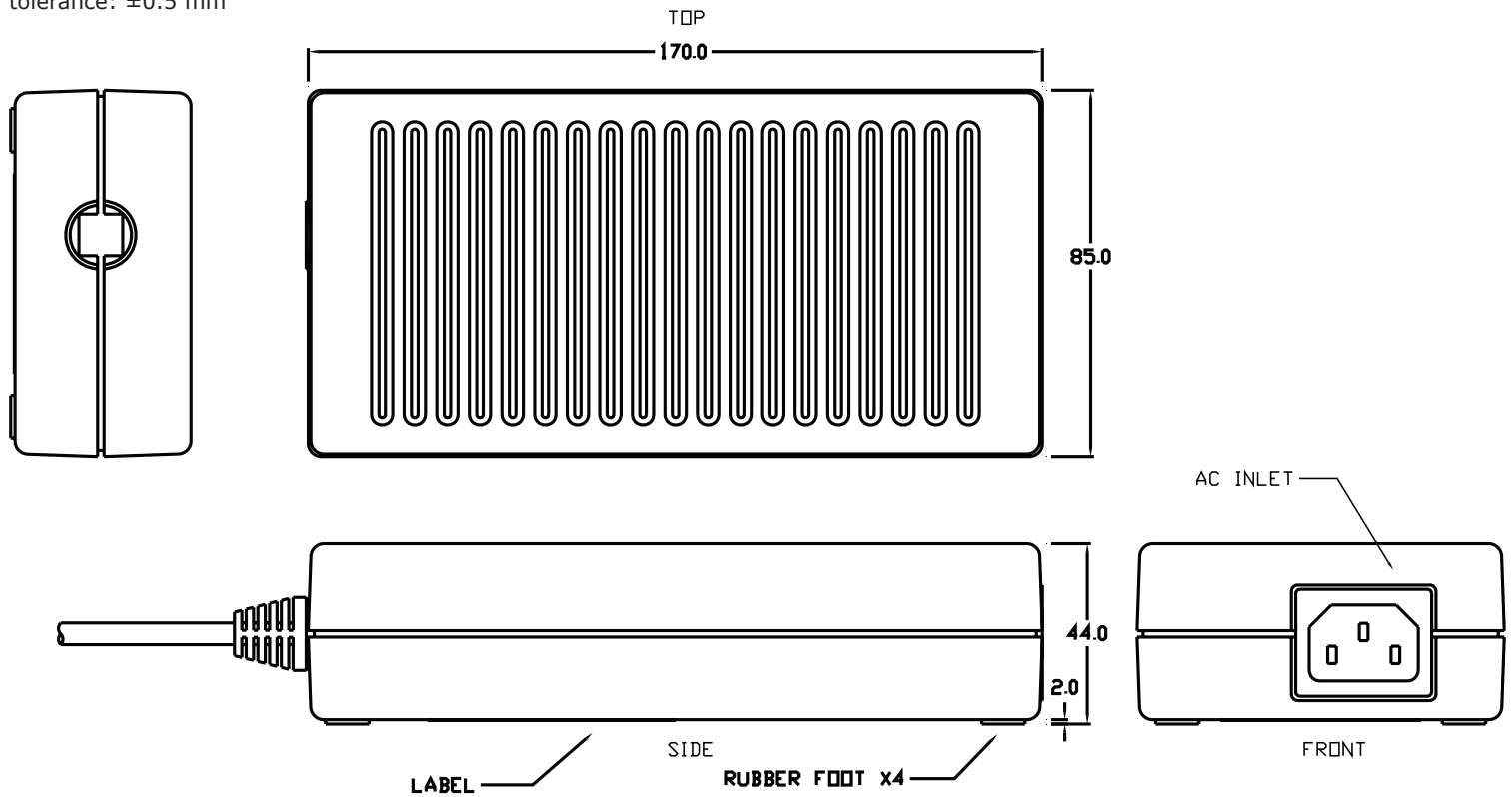
| parameter | conditions/description | min | typ | max | units |
|-----------------------|--|-----|-----|-----|-------|
| operating temperature | derate linearly 2.5% per °C from 41~60°C | 0 | | 60 | °C |
| storage temperature | | -10 | | 85 | °C |
| operating humidity | non-condensing | 20 | | 90 | % |
| storage humidity | non-condensing | 20 | | 90 | % |

MECHANICAL

| parameter | conditions/description | min | typ | max | units |
|------------|------------------------|-----|-----|-----|-------|
| dimensions | 170 x 85 x 44 | | | | mm |
| inlet plug | IEC320 / C14 | | | | |

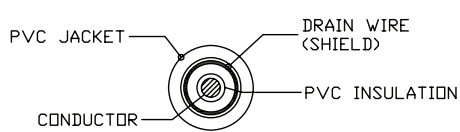
MECHANICAL DRAWING

units: mm
tolerance: ±0.5 mm



DC CORD

units: mm



See Table 1
SECTIONAL DRAWING

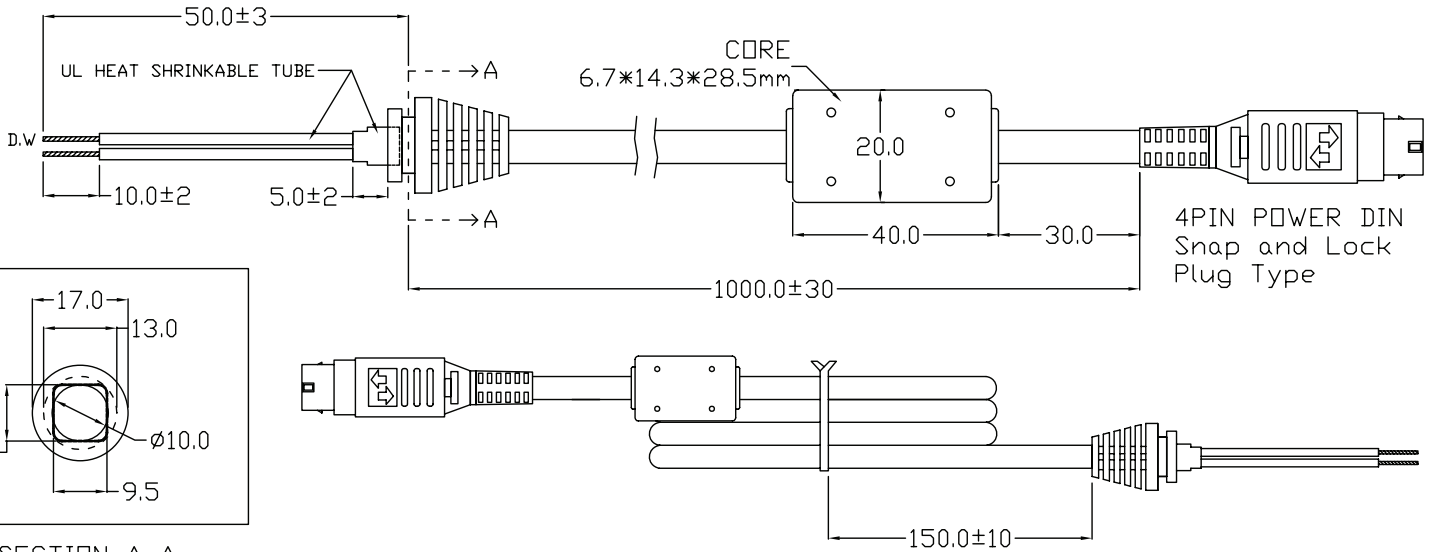


Table 1

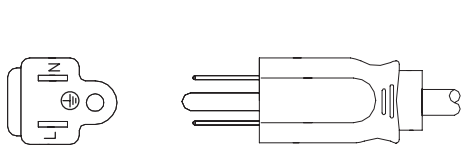
| MODEL NO. | CABLE |
|--------------|--|
| ETSA1201167U | 14 AWG, Black, UL1571, 80°C, 30 V, 14 AWGX1C + aluminum shield (14 AWG) |
| ETSA160938U | 14 AWG, Black, UL1571, 80°C, 30 V, 14 AWGX1C + aluminum shield (14 AWG) |
| ETSA190790U | 14 AWG, Black, UL1571, 80°C, 30 V, 14 AWGX1C + aluminum shield (14 AWG) |
| ETSA240625U | 14 AWG, Black, UL1571, 80°C, 30 V, 14 AWGX1C + aluminum shield (14 AWG) |
| ETSA360417U | 16 AWG, Black, UL1185 80/90°C, 300 V, 16 AWGX1C + aluminum shield (16 AWG) |
| ETSA480313U | 16 AWG, Black, UL1185 80/90°C, 300 V, 16 AWGX1C + aluminum shield (16 AWG) |

AC CORD

units: mm



NORTH AMERICA



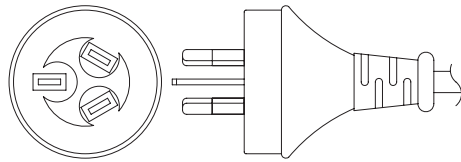
EUROPE



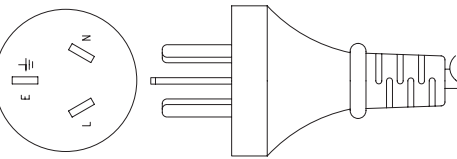
UNITED KINGDOM



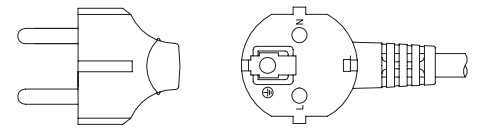
AUSTRALIA



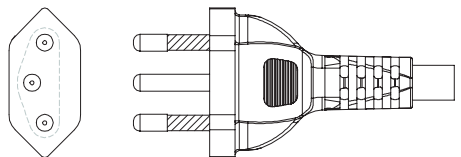
CHINA



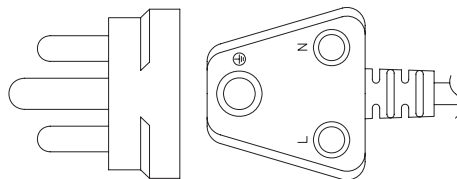
SOUTH KOREA



BRAZIL



SOUTH AFRICA



JAPAN

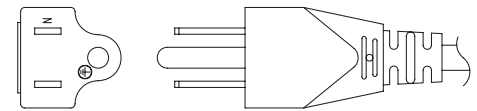


Table 2

| AC INPUT | CORD LENGTH |
|----------------|--------------|
| North America | 1,830 mm ±50 |
| Europe | 1,830 mm ±30 |
| United Kingdom | 1,800 mm ±50 |
| Australia | 1,830 mm ±30 |
| China | 1,830 mm ±50 |
| South Korea | 1,800 mm ±30 |
| Brazil | 1,830 mm ±30 |
| South Africa | 1,830 mm ±30 |
| Japan | 1,830 mm ±30 |

REVISION HISTORY

| rev. | description | date |
|------|--------------------------------|------------|
| 1.0 | initial release | 11/22/2013 |
| 1.01 | added ac cord options | 10/09/2014 |
| 1.02 | updated to level VI efficiency | 05/08/2015 |

The revision history provided is for informational purposes only and is believed to be accurate.



Headquarters
20050 SW 112th Ave.
Tualatin, OR 97062
800.275.4899

Fax 503.612.2383
cui.com
techsupport@cui.com

This device complies with part 15 of the FCC Rules. Operation is subject to the following two conditions:

- (1) This device may not cause harmful interference, and
- (2) this device must accept any interference received, including interference that may cause undesired operation.

CUI offers a one (1) year limited warranty. Complete warranty information is listed on our website.

CUI reserves the right to make changes to the product at any time without notice. Information provided by CUI is believed to be accurate and reliable. However, no responsibility is assumed by CUI for its use, nor for any infringements of patents or other rights of third parties which may result from its use.

CUI products are not authorized or warranted for use as critical components in equipment that requires an extremely high level of reliability. A critical component is any component of a life support device or system whose failure to perform can be reasonably expected to cause the failure of the life support device or system, or to affect its safety or effectiveness.