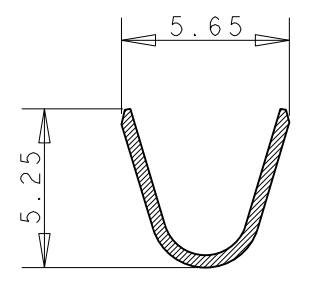
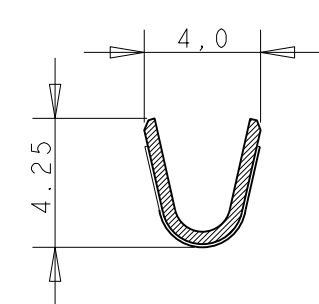
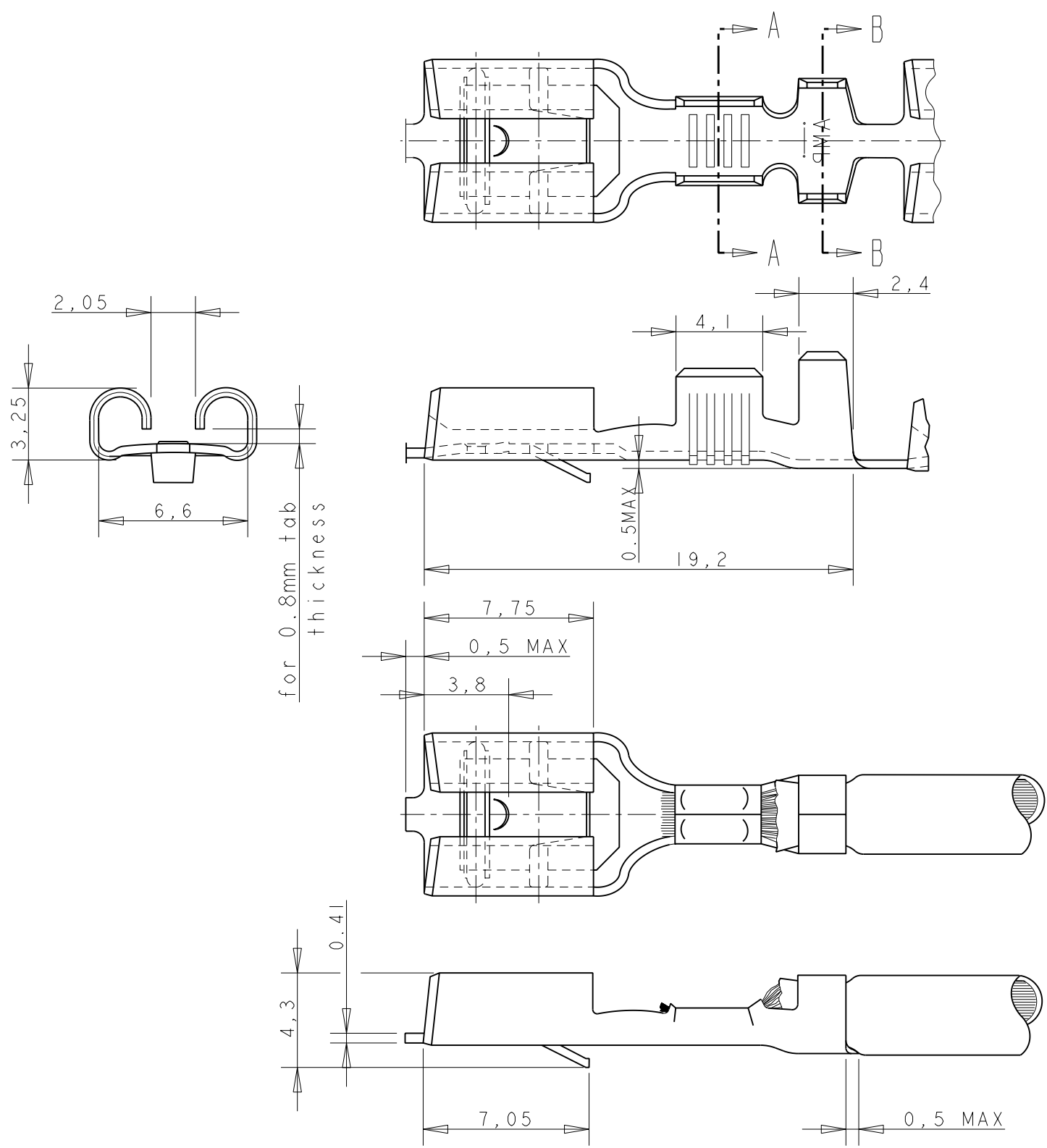


LOC	DIST	REVISIONS					
		P	LTR	DESCRIPTION	DATE	DWN	APVD
A1	-		H2	REVISED PER ECO-11-005294	21MAR2011	RK	HMR

NOTES:

- 1 FOR USE ON MINIATURE APPLICATORS ( LEFT-RIGHT FEED ) AND STANDARD APPLICATORS ( RIGHT-LEFT FEED ).
- 2 FOR USE ON MINIATURE APPLICATORS ( AMP-O-MATOR APPLICATION ). ( LEFT-RIGHT FEED ).
- 3 OBSOLETE PARTS: OBSOLETE CIS STREAMLINING PER D.RENAUD/D.SINISI



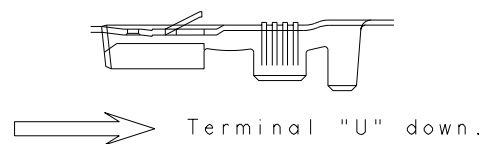
SECTION A-A

SECTION B-B

OBSOLETE		FINISH	MATERIAL	PART NUMBER
3	1	PRE-TINPLATED	PH.BRONZE	<del>6-160446-8</del>
	1	PRE-TINPLATED	BRASS	<del>6-160446-7</del>
	1 2	TINPLATED	PH.BRONZE	<del>6-160446-6</del>
	1 2	SILVERPLATED	PH.BRONZE	5-160446-8
	1 2	SILVERPLATED	BRASS	5-160446-6
	1	TINPLATED	BRASS	5-160446-5
	1	UNPLATED	BRASS	5-160446-4
	1	TINPLATED	PH.BRONZE	5-160446-2
	1	UNPLATED	PH.BRONZE	5-160446-1

GENERAL TOLERANCES ±0.3

DIRECTION OFF TOP OF REEL



WIRE RANGE :  
1,0-2,5 mm<sup>2</sup>

INSULATION RANGE :  
3,0-4,1mm DIA.

THIS DRAWING IS A CONTROLLED DOCUMENT.

DIMENSIONS: mm	TOLERANCES UNLESS OTHERWISE SPECIFIED:
0 PLC	±·
1 PLC	±·
2 PLC	±·
3 PLC	±·
4 PLC	±·
ANGLES	±1°
MATERIAL	SEE TABLE
FINISH	SEE TABLE

DWN	J.V.LIEMPT.
CHK	A.BIJNEN.
APVD	L.V.SOEST.
PRODUCT SPEC	-
APPLICATION SPEC	-
WEIGHT	-
CUSTOMER DRAWING	

**STE** TE Connectivity

NAME: .250 SRS FASTIN-ON RECEPTACLE

SIZE	CAGE CODE	DRAWING NO	RESTRICTED TO
A3	00779	C-160446	-

SCALE: 1:1 SHEET 1 OF 1 REV H2

# Mouser Electronics

Authorized Distributor

Click to View Pricing, Inventory, Delivery & Lifecycle Information:

[TE Connectivity:](#)

[5-160446-1](#)