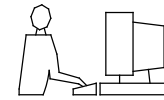
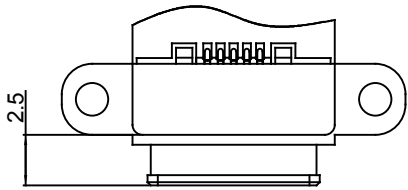


TOLERANCE UNLESS OTHERWISE SPECIFIED IN MM:  
 0 ANGLE ±1°  
 0.0 ±0.2  
 0.00 ±0.1  
 0.000 ±0.05

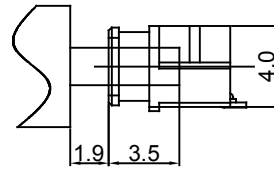
THIS IS A C.A.D. GENERATED DRAWING  
 DO NOT MAKE MANUAL REVISIONS TO MASTER.



ISSUE NUMBER	
ADD PACKAGING SPECS	②
SEE PAGE 2 OF 2	
R.STA.MONICA	SEPT.16/2014
ADD NOTE 3: O-RING	③
R.STA.MONICA	MAY.20/2015
ADD NOTE 4:	④
TUBE PACKAGING PART NO.	
R.STA.MONICA	MAY.20/2015
UPDATE GASKET TO	⑤
SINGLE POINT O-RING	
R.STA.MONICA	SEPT.26/2016
ADD SILICON SE 9186 &	⑥
ELECTRICAL SPECS	
Y.ZHANG	SEP.18/2018

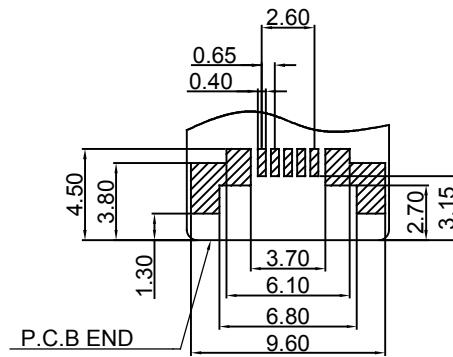
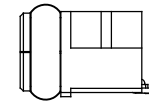
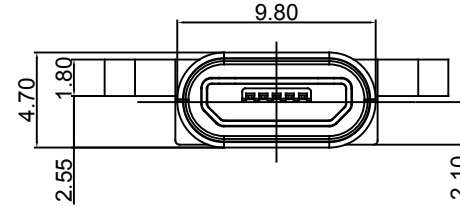


MOUNTING LAYOUT

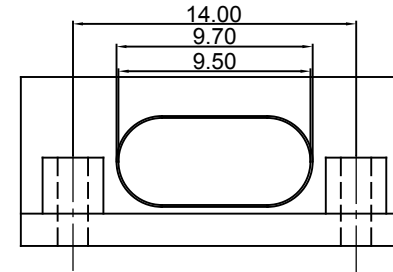


MATING LAYOUT

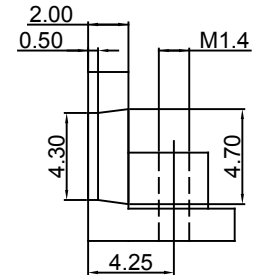
GASKET INTEGRATION LAYOUT



P.C.B LAYOUT

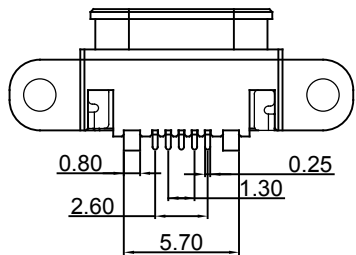
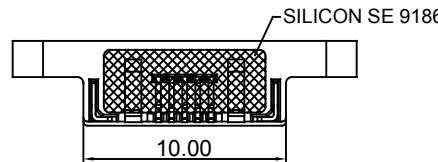
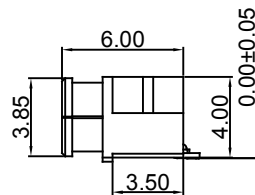
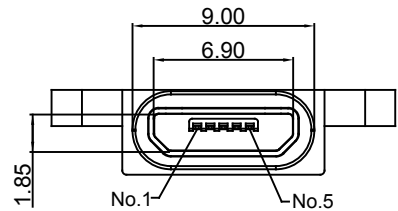
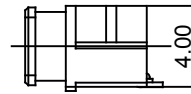
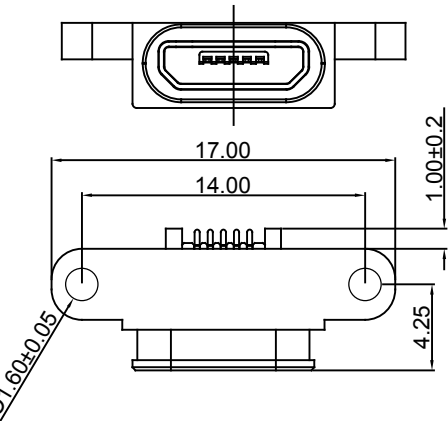


PANEL MOUNTING LAYOUT



NOTES

- OPERATING TEMPERATURE: -40°C~+85°C
- MATERIALS:  
 INSULATOR: LCP, UL94 V-0, COLOR: BLACK  
 CONTACT: PHOSPHOR BRONZE, WITH 10µ" GOLD PLATING ON CONTACT AREA,  
 AND GOLD FLASH ON SOLDER AREA OVER 50µ" NICKEL UNDERPLATING  
 SHELL: STAINLESS STEEL, WITH MATTE TIN PLATING  
 PAD: BRASS, WITH MATTE TIN PLATING
- MATCH WITH O-RING PART NO. M00-556-001
- PART NO: **PACKAGING**  
 690-W05-290-483 TAPE AND REEL PACKAGING  
 690-W05-290-783 TUBE PACKAGING (200PCS PER TUBE)
- ELECTRICAL SPECS:  
 CURRENT RATING: 1.8A (PIN1 & PIN5) 0.5A (ONLY PIN2 & PIN3 & PIN4)  
 VOLTAGE RATING: 30V  
 CONTACT RESISTANCE: 30mΩ MAX.  
 INSULATION RESISTANCE: 100MΩ MIN. AT 500V DC  
 DIELECTRIC WITHSTANDING VOLTAGE: 100V AC FOR 60s AT 10mA
- WATERPROOF RATING: IPX7



WATERPROOF MICRO USB 5P(F) SMT TYPE



THIS SERIES FULLY CONFORMS TO THE EUROPEAN UNION DIRECTIVES 2002/95/EC AND 2002/96/EC FOR RoHS COMPLIANCY.



EDAC INC  
 TORONTO, ONTARIO  
 CANADA

YOUR CONNECTION TO QUALITY & SERVICE

THESE DRAWINGS AND SPECIFICATIONS ARE THE PROPERTY OF EDAC INC., AND SHALL NOT BE REPRODUCED, OR COPIED OR USED AS THE BASIS FOR THE MANUFACTURE OR SALE OF APPARATUS WITHOUT WRITTEN PERMISSION.

ACAD REFERENCE NO.: 690-W05-290-483

DRAWN: R.STA.MONICA DATE: JAN.20/2014

CHECKED: DATE:

PART NUMBER

SEE PART NO.

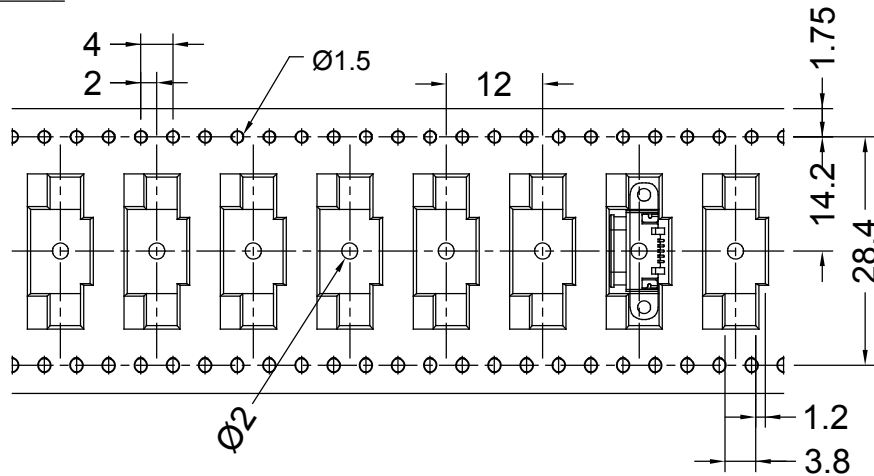
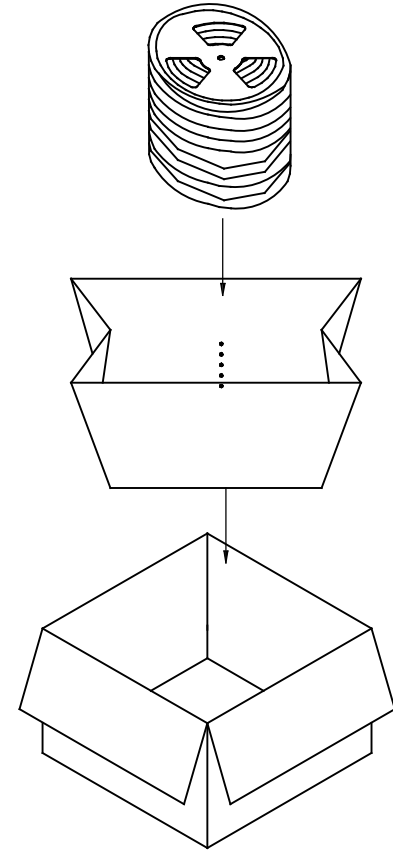
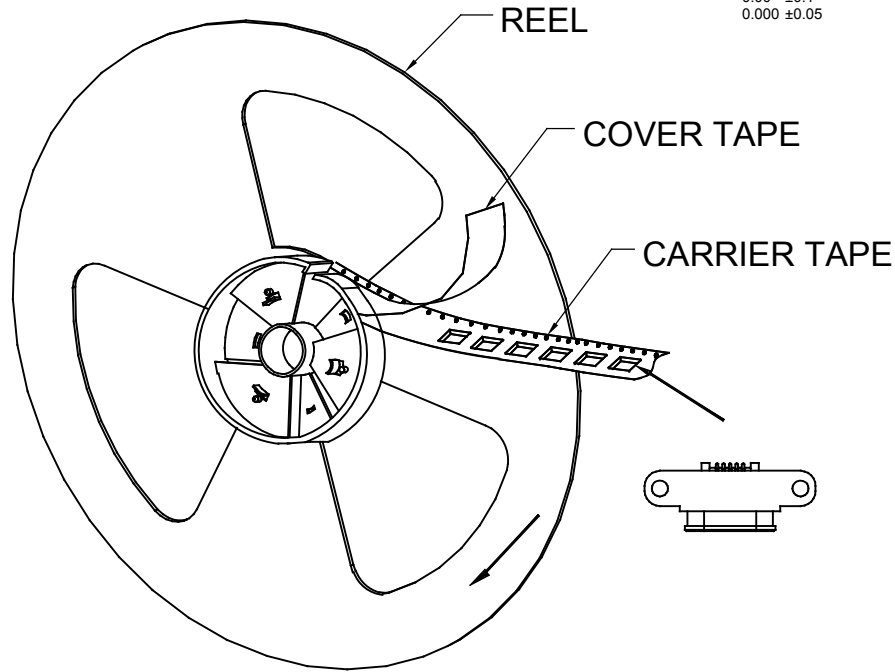
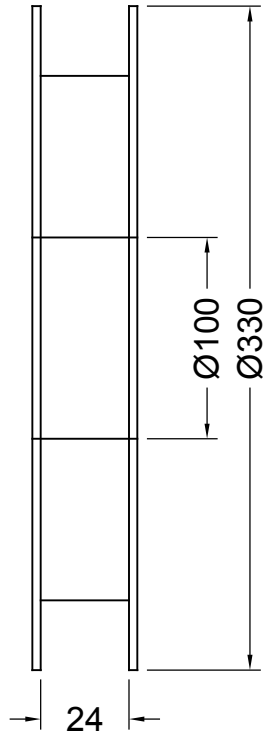
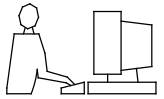
SHEET 1 OF 2

DRAWING NUMBER  
**690-W05-290-483**

ISSUE  
 6

TOLERANCE UNLESS OTHERWISE SPECIFIED IN MM:  
 0 ANGLE ±1°  
 0.0 ±0.2  
 0.00 ±0.1  
 0.000 ±0.05

THIS IS A C.A.D. GENERATED DRAWING  
 DO NOT MAKE MANUAL REVISIONS TO MASTER.



QUANTITY PER REEL: 1100 PCS

**WATERPROOF MICRO USB 5P(F) SMT TYPE  
 TAPE & REEL PACKAGING SPECS**

ACAD REFERENCE NO.: 690-W05-290-483

DRAWN: R.STA.MONICA

DATE: SEPT.16/2014

CHECKED:

DATE:

PART NUMBER

**SEE PART NO.**

SHEET 2 OF 2

DRAWING NUMBER

**690-W05-290-483**

ISSUE

6



THIS SERIES FULLY CONFORMS TO THE EUROPEAN UNION DIRECTIVES 2002/95/EC AND 2002/96/EC FOR RoHS COMPLIANCY.



YOUR CONNECTION TO QUALITY & SERVICE

**EDAC INC**  
 TORONTO, ONTARIO  
 CANADA

THESE DRAWINGS AND SPECIFICATIONS ARE THE PROPERTY OF EDAC INC., AND SHALL NOT BE REPRODUCED, OR COPIED OR USED AS THE BASIS FOR THE MANUFACTURE OR SALE OF APPARATUS WITHOUT WRITTEN PERMISSION.