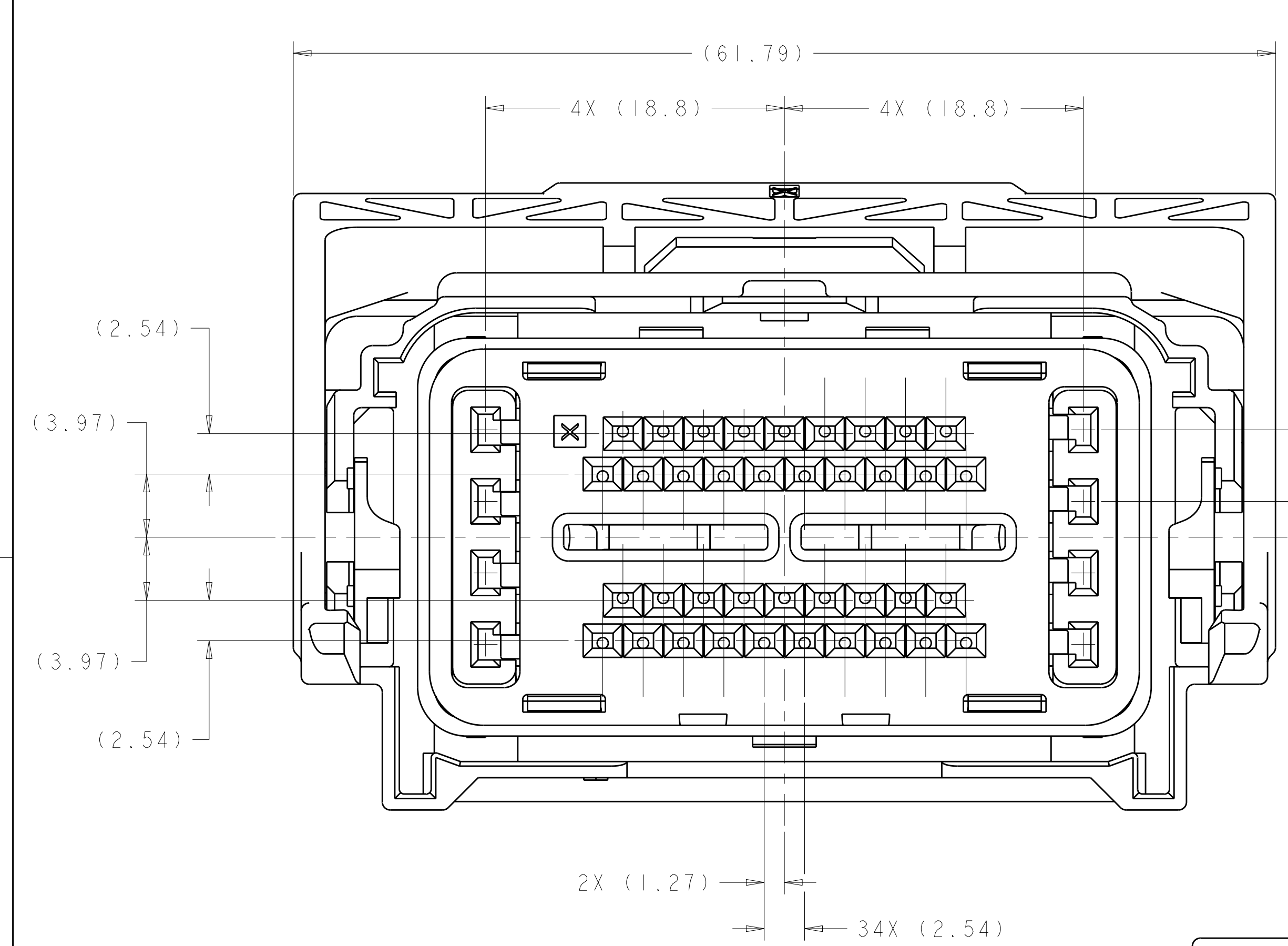
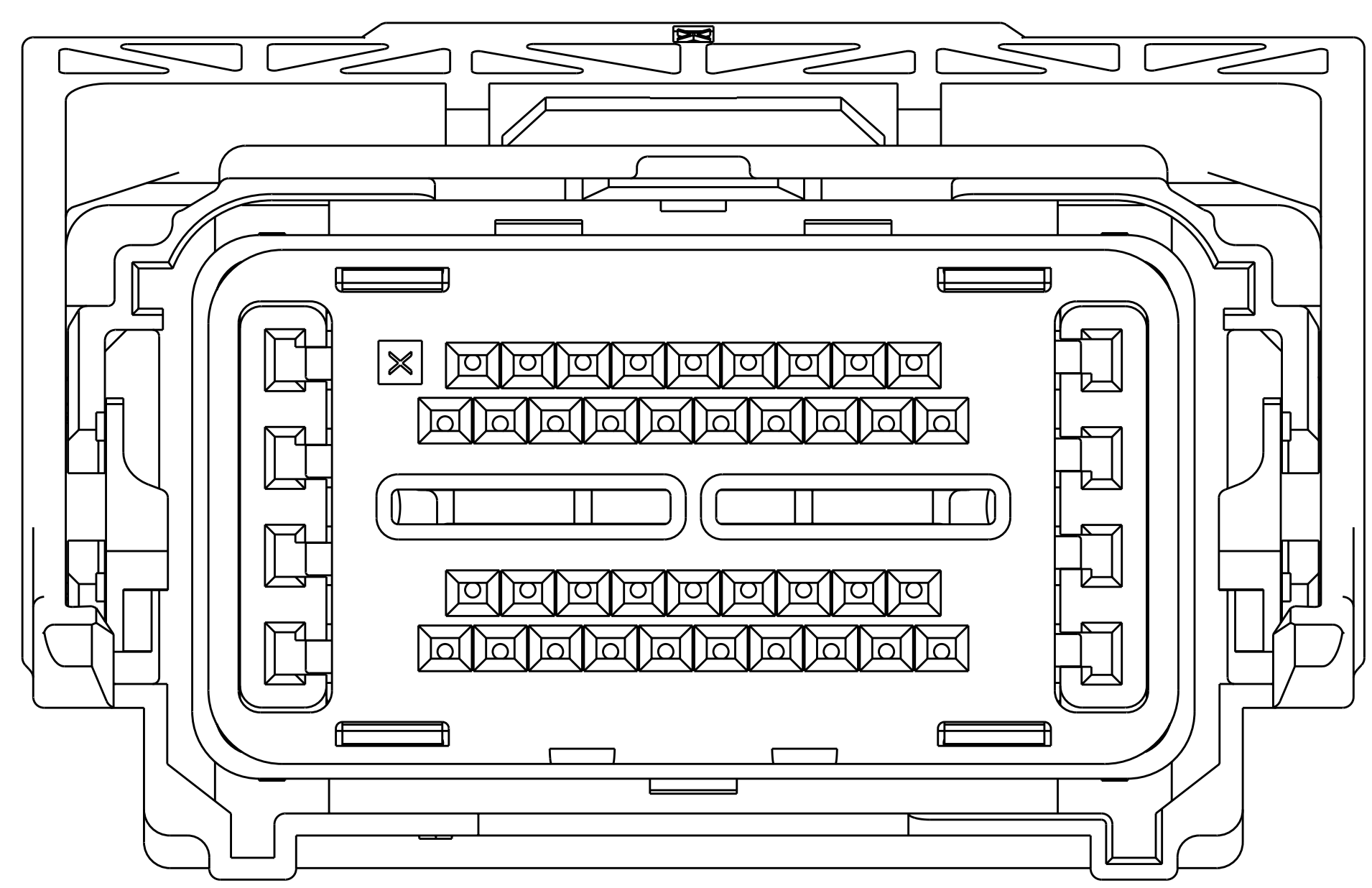


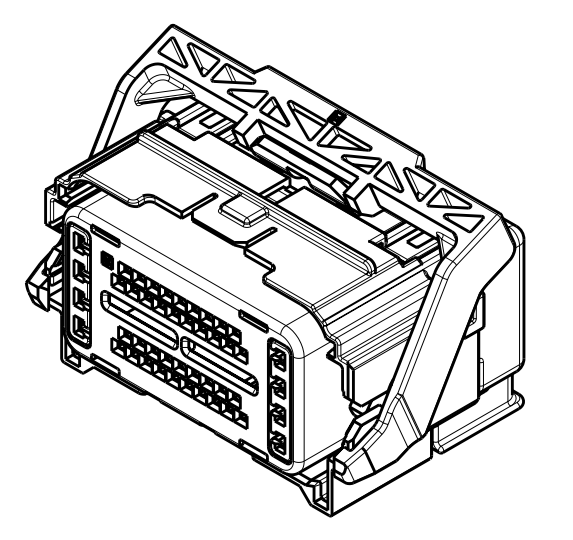
REV	DATE	DESCRIPTION	DATE	BY	APP'D
S10	23APR2009	REVISED PER ECO-09-009758		DLD	DCM
S11	29DEC2009	REVISED PER ECO-09-028550		DLD	DCM



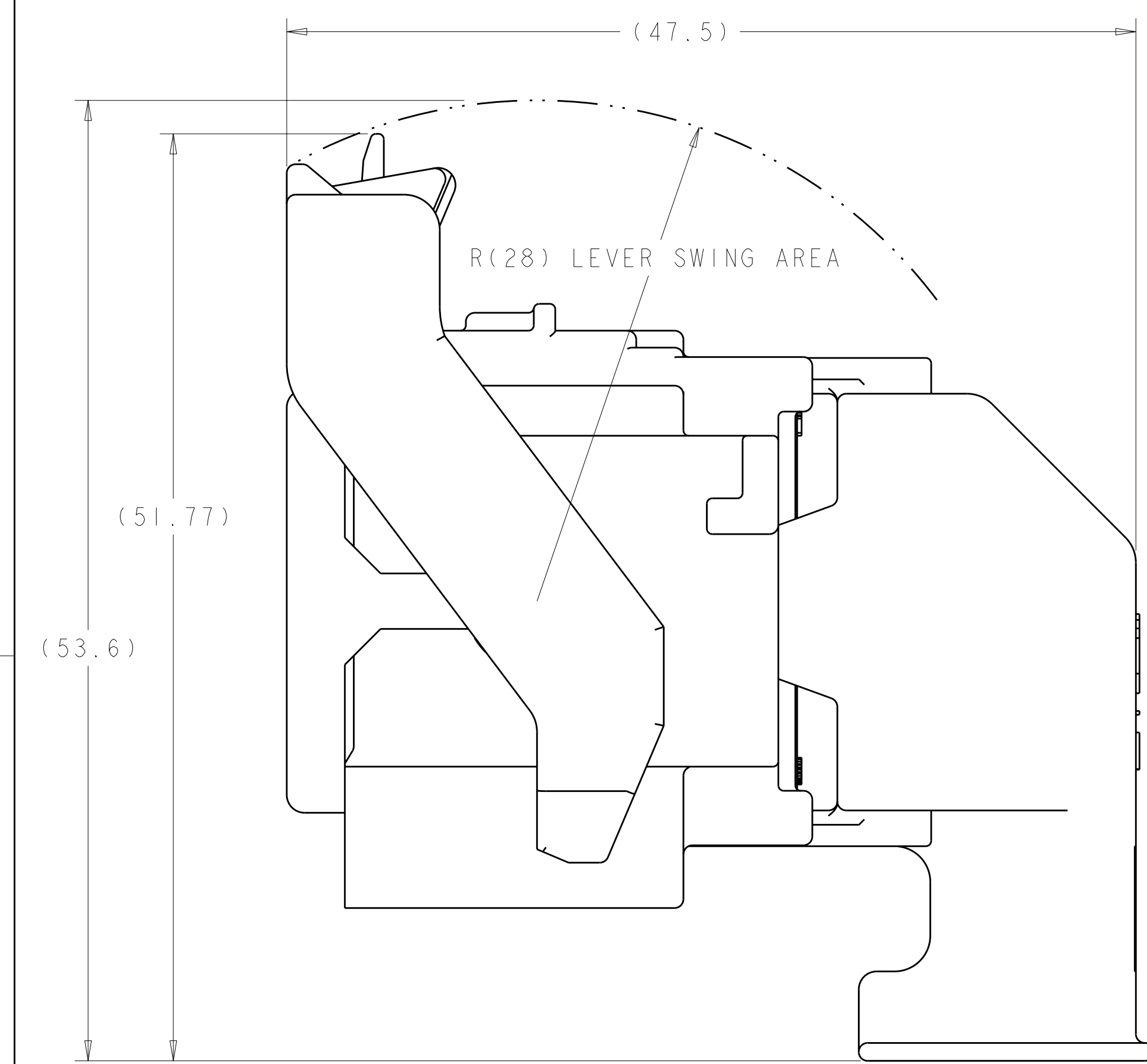
KEYING OPTION "A"  
1438082-1



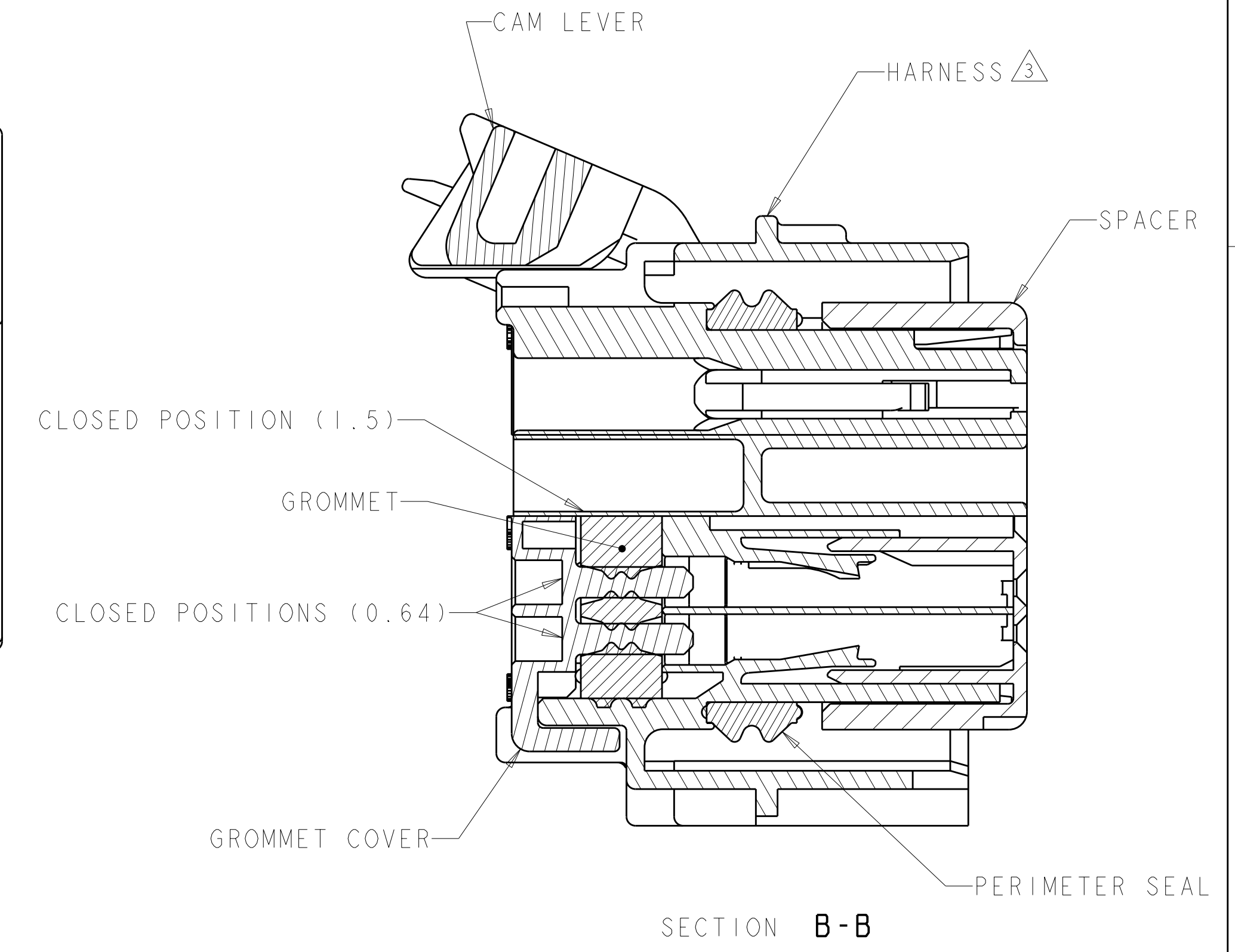
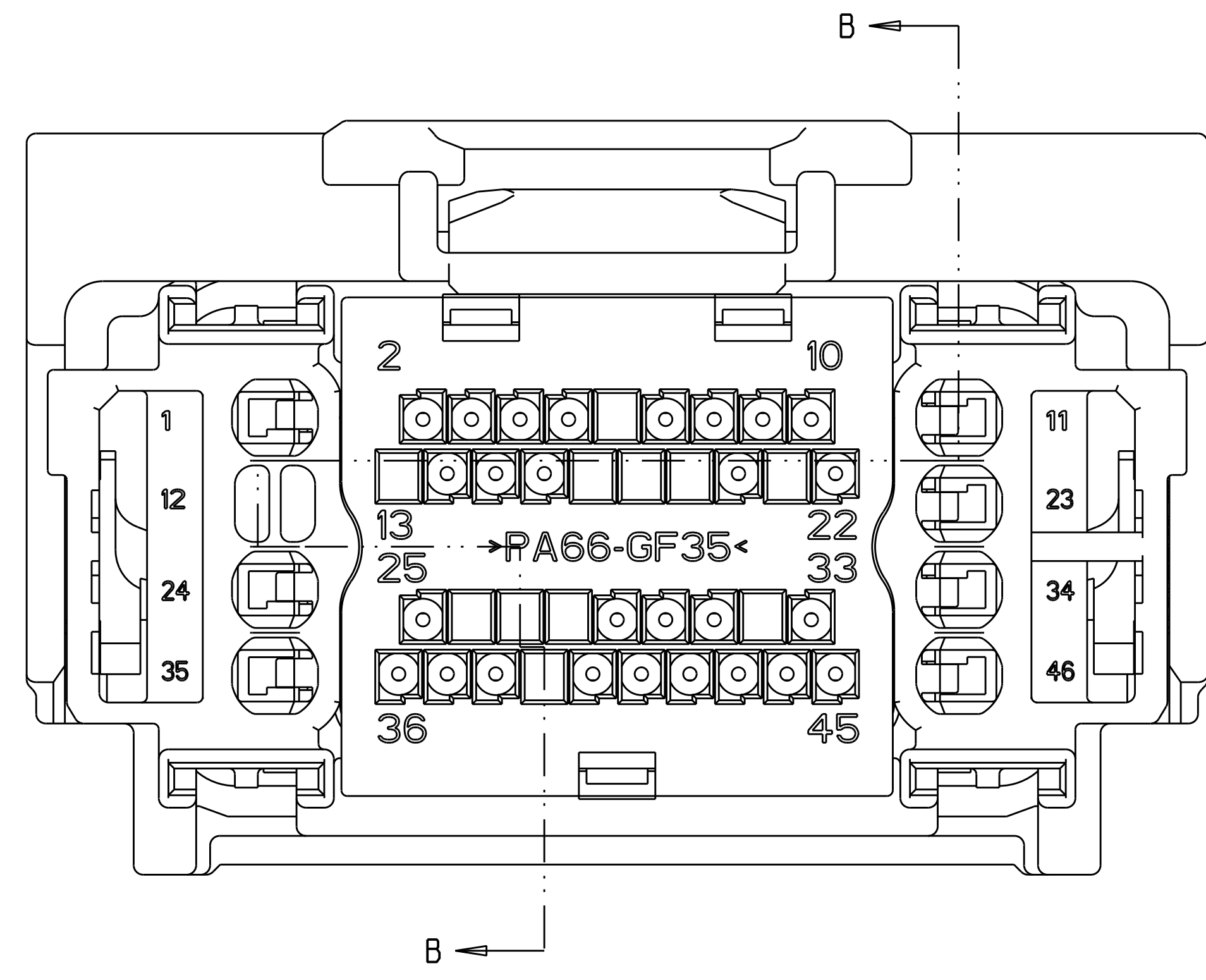
KEYING OPTION "B"  
1438082-2



SCALE 1:1



SHOWN WITH CAM LEVER AND SPACER  
IN LOADED POSITION WITH  
OPTIONAL WIRESHIELD



SECTION B-B

- MATERIAL:
  - HARNESS - 35% GLASS FILLED PA66, BLACK
  - ALT MAT'L: HARNESS - 30% GLASS FILLED sPS, BLACK
  - SPACER - 40% GLASS FILLED PPS+PA66, RED
  - ALT MAT'L: 30% GLASS FILLED sPS, RED
  - ALT MAT'L: 35% GLASS FILLED PA66, RED
  - COVER - 35% GLASS FILLED PA66, BLACK
  - ALT MAT'L: COVER - 30% GLASS FILLED LCP, BLACK
  - CAM LEVER - 35% GLASS FILLED NYLON, GRAY
  - GROMMET - SILICONE, BROWN
  - PERIMETER SEAL - SILICONE, GREEN

- 2. CAM LEVER AND SPACER ARE SHIPPED IN PRE-LATCH POSITION.
- SEE PINOUT CHART ON SHEETS 2, 3 AND 4 FOR CLOSED CIRCUIT CONFIGURATIONS.
- CAVITIES WITH A NUMERIC SYMBOL INDICATES CLOSED TERMINAL LOCATIONS. BLANK CAVITIES INDICATE OPEN TERMINAL HOLE LOCATIONS.

SEE PINOUT CHARTS  
PART NUMBER

DIMENSIONS: mm 		TOLERANCES UNLESS OTHERWISE SPECIFIED: 9 PLC ±0.3 1 PLC ±0.10 5 PLC ±0.15 4 PLC ±0.2 ANGLES ±°		DWN R. VESTAL 01AUG2003 CHK D. STRAUSSER 01AUG2003 APVD D. STRAUSSER 01AUG2003 PRODUCT SPEC APPLICATION SPEC WEIGHT CUSTOMER DRAWING		Tyco Electronics Harrisburg, PA 17105-3608 NAME: 46 WAY PCM CONNECTOR HARNESS ASSEMBLY SIZE: 00779 C=1438082 SCALE: 4:1 SHEET 1 OF 5		RESTRICTED TO REVISIONS	
--------------------	--	---	--	--	--	--	--	----------------------------	--









# Mouser Electronics

Authorized Distributor

Click to View Pricing, Inventory, Delivery & Lifecycle Information:

[TE Connectivity:](#)

[4-1438735-5](#)