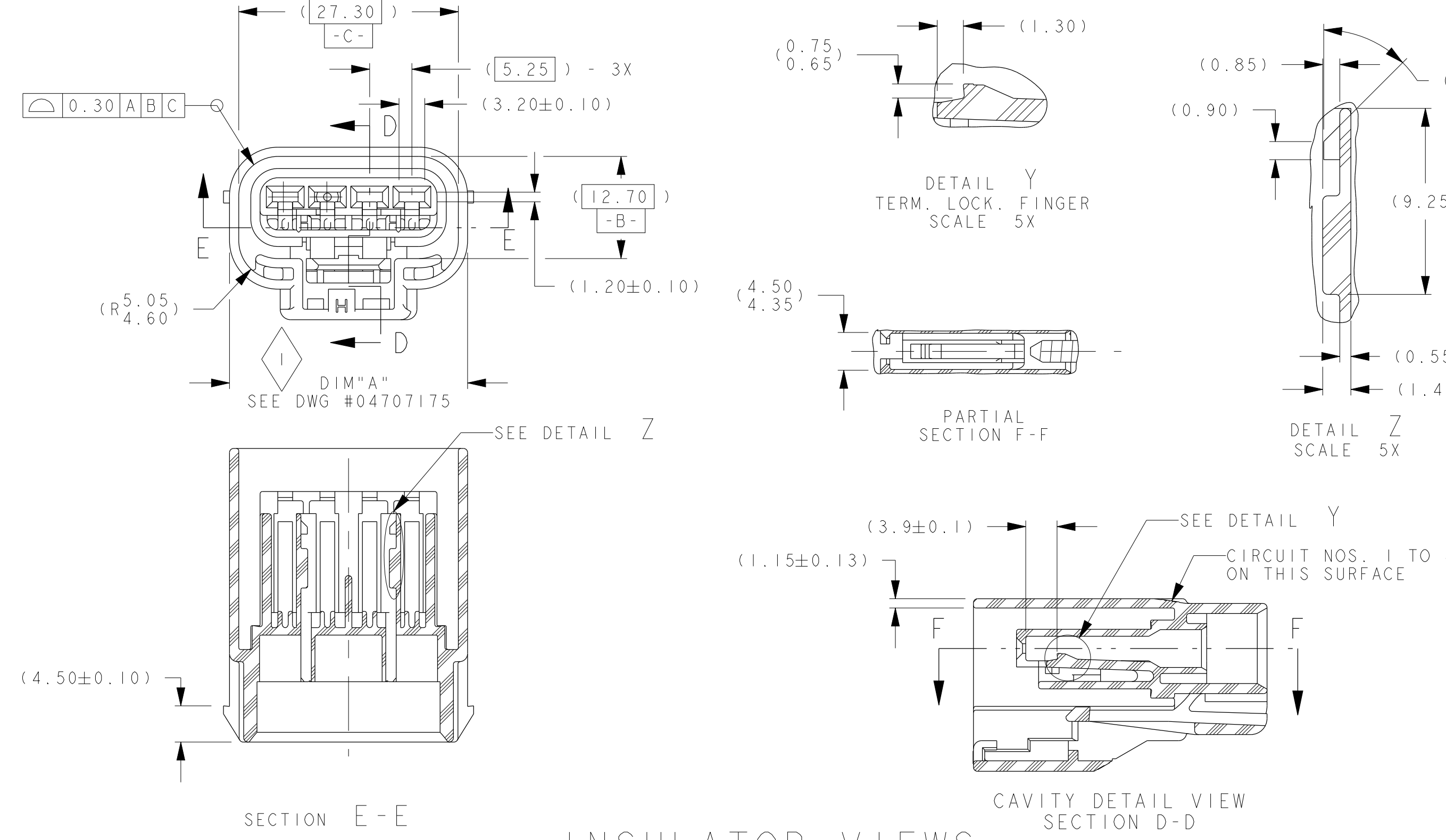
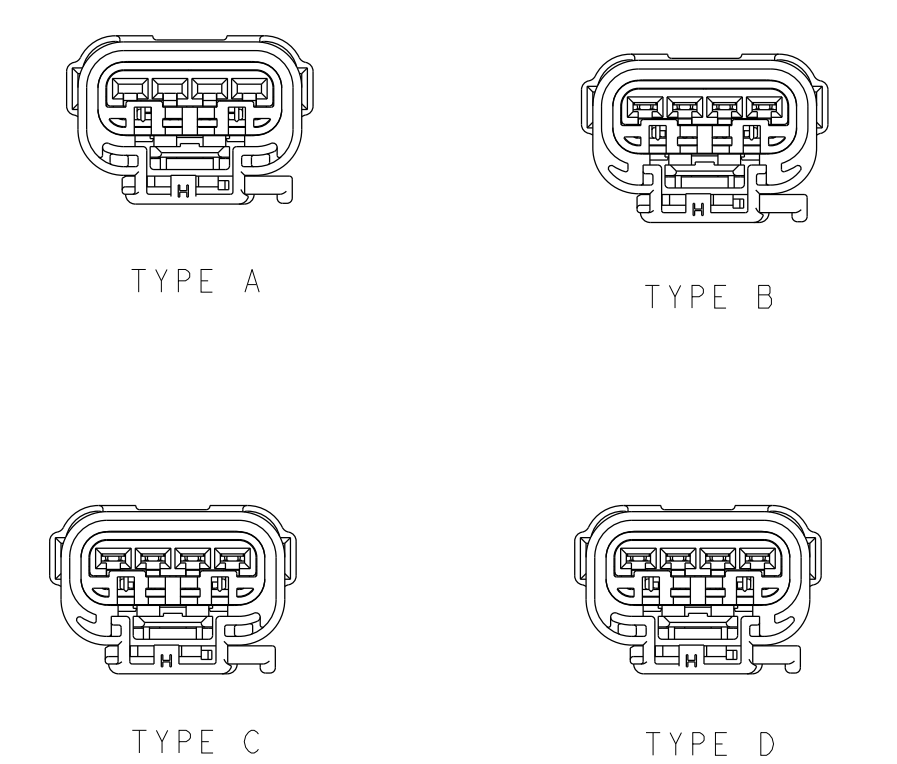


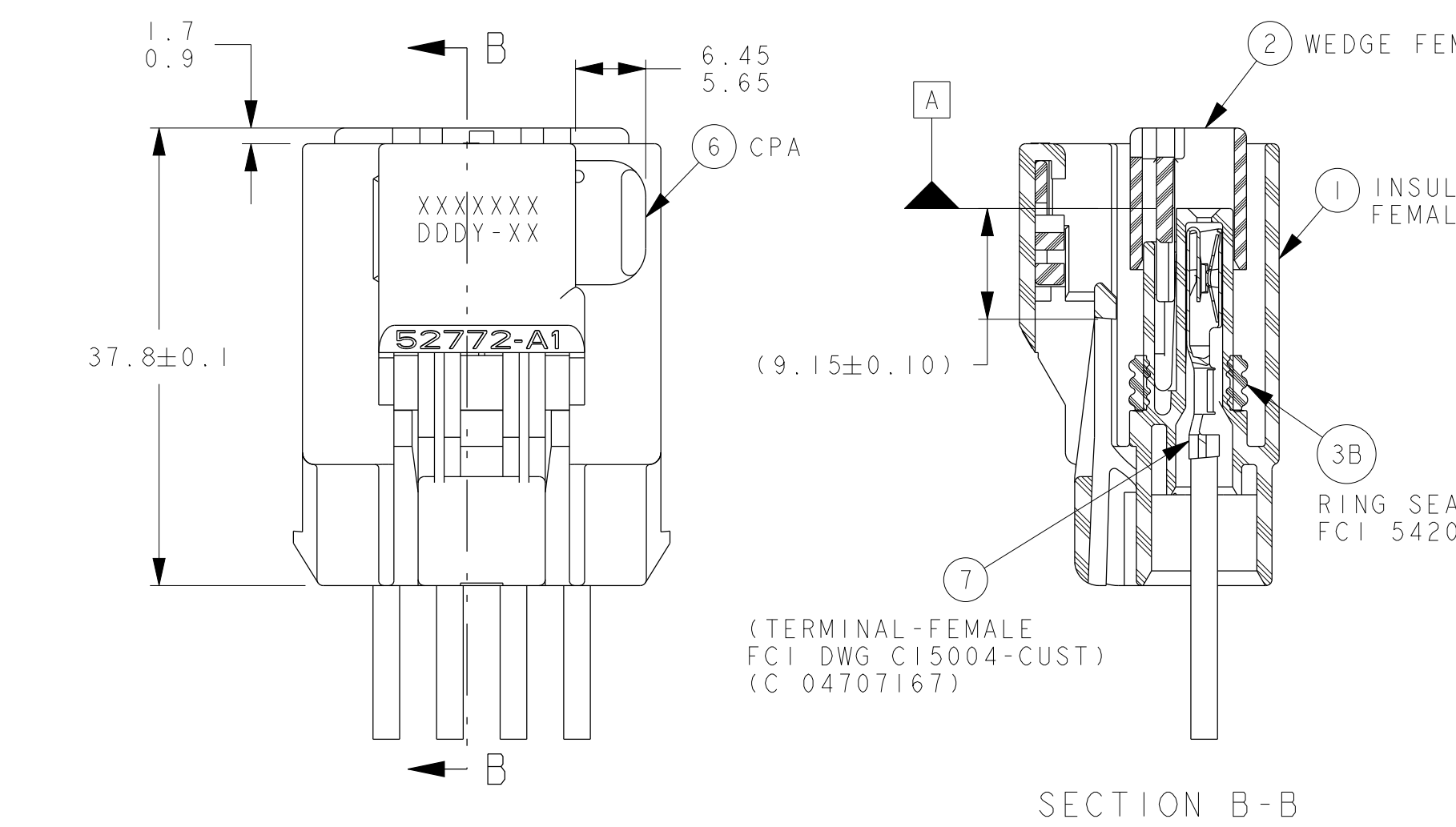
SEALED ASSEMBLY VIEWS
SEE P/N CHART
SHOWN WITH CPA'S



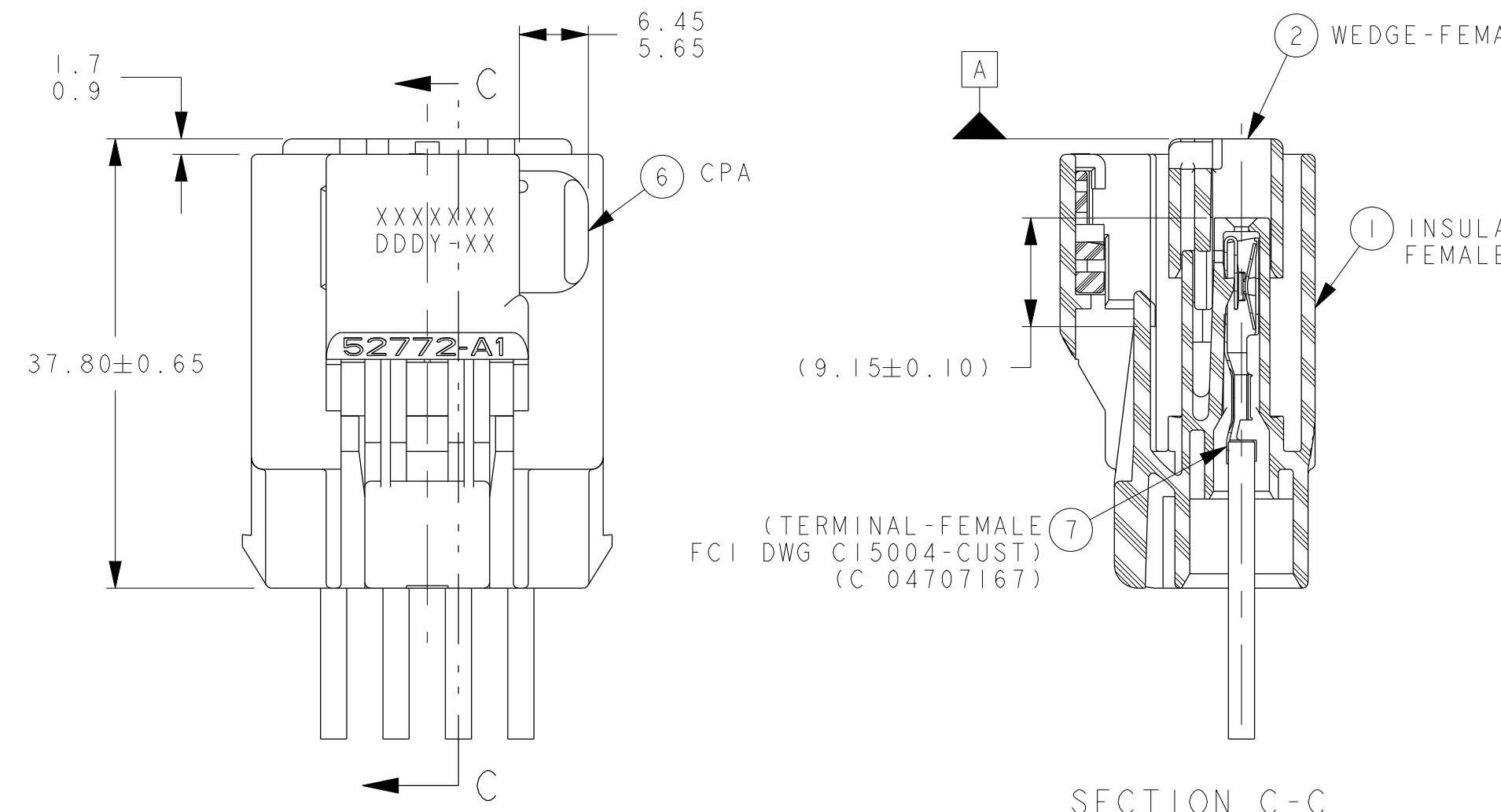
INSULATOR VIEWS
FOR REFERENCE ONLY



POLARIZATION OPTIONS
FULL SIZE
SHOWN W/CPA



SEALED (PARTIAL) ASSEMBLY VIEW
SEE NOTE (A) SHIPPED WITHOUT END SEAL AND RETAINER



UNSEALED ASSEMBLY VIEW
SEE PART NUMBER CHART

NOTES:

- QUALITY ASSURANCE REQUIREMENTS PER CHRYSLER PS-7300: 1 SPC DATA REQUIRED
- ENGINEERING APPROVAL OF SUPPLIER SAMPLES IS REQUIRED PRIOR TO AUTHORIZATION OF PART PRODUCTION
- CHANGES IN DESIGN COMPOSITION OR PROCESSING FROM THE PART PREVIOUSLY APPROVED FOR PART PRODUCTION REQUIRES PRIOR ENGINEERING APPROVAL
- WIRING FABRICATORS MUST PURCHASE FROM SOURCES SHOWN
- ALL THE SEALED CONNECTOR APPLICATIONS MUST BE USED WITH CHRYSLER WIRE SPEC. MS-8288 OR MS-9502 THIN WALL X-LINK 20, 18, 16, 14, 12 & 10 GAGE WIRES ONLY UNLESS OTHERWISE SPECIFIED SEE CHART (WIRE INSULATIONS Ø1.70 TO Ø4.09)
- ALL NON-SEALED APPLICATIONS MAY BE USED WITH ANY WIRE INSULATION 22 GAGE THROUGH 10 GAGE (EXCEPT AS NOTED) PROVIDED THAT A TERMINAL GRIP FOR THAT CORE/INSULATION COMBINATION IS SHOWN ON THE FEMALE TERMINAL DRAWING
MAX. INSULATION CRIMP WIDTH = 4.50
MAX. INSULATION CRIMP HEIGHT = 4.50
MAX. INSULATION DIA. = 4.09 (10 GA THIN WALL)
- MUST BE USED WITH FLUOROSILICONE END SEAL FCI P/N 54200430, RETAINER & PROPER GAGE TEFLON WIRES FOR METHANOL OR DIESEL FUEL APPLICATIONS
- USE WITH CAVITY PLUG FCI P/N 54200005, WHEN REQ'D USE WITH 2.80MM APEX FEM. TERM. PER C15004-CUST SYMMETRICAL ABOUT CENTERLINE FOR 180° ORIENTATION
- TEST METHOD PER SAE/USCAR-2 REV. 5, CONNECTOR ENGAGE & DISENGAGE WITH LATCH DEPRESSURE FORCE NOT TO EXCEED 75N FOR THIS SYSTEM
CPA SEATING FORCES - 40N MAXIMUM
WEDGE SEATING FORCES - 100N MAXIMUM
- SUPPLIER, MOLD & CAVITY I.D. MUST BE LEGIBLE
- ANNUAL QUALITY REQUIREMENTS:
IT IS PERMISSIBLE TO PERFORM CONTINUOUS CONFORMANCE PER FCI SPEC IF SPECIFIED IN PDS SEE REV X FOR PREVIOUS CHANGES.
ANNUAL PV REQUIREMENTS OF QS-9000 SECTION 2 & PF-9600
ALL NON-REFERENCE DIMENSIONS ARE REQUIRED
- USE INDEX A, BLACK SEALED AND UNSEALED FOR ALL AFFECTED INSULATOR CAVITIES
- CURRENT PRODUCTION TOOLING
- POINT OF LAST RUN
SERVICE TOOLING GUIDE INFORMATION PER APEX TRAINING MANUAL
- MUST CONFORM TO THE FOLLOWING CHRYSLER/YNA STANDARDS:
PF-9600 PERFORMANCE (CHRYSLER) EXCEPT AS NOTED ABOVE
PS-1300 QUALITY ASSURANCE (CHRYSLER)
PS-4480 CEK-4 (CHRYSLER) PART I.D. (G-009-3 YNA)
PS-9065 REGRIND (CHRYSLER), (G-009-3 YNA)
PS-9227 DATA EXCHANGE (CHRYSLER), (G-009-3 YNA)
PS-10052 INFORMATION SECURITY (CHRYSLER)
- THIS DRAWING (H59003) REPLACES CHRYSLER DRAWING NUMBER 0470254 LEVEL "R"
- FCI P/N WITH SUFFIX "N" DESIGNATES ASSEMBLY W/O CPA
- P/N'S WITH BURNT ORANGE END SEAL CAN BE USED WITH 12 OR 14 GAGE IN ANY COMBINATION OR ORDER OR WITH THREE 12 GAGE AND ONE 18 GAGE OR ONE 16 GAGE WIRE (ONE END)

MATING PART NUMBER CHART

D	NATURAL	UNSEALED	SEALED	54200404N	N/A	54200424, 54200408	N/A
D	NATURAL	UNSEALED	SEALED	54200404N	N/A	54200424, 54200408	N/A
		SEALED	54200412N	N/A	54200416	C 56042179, 56038055	
C	DK GREY	UNSEALED	SEALED	54200403N	N/A	54200407	N/A
		SEALED	54200411N	N/A	54200415	C 56038194	
B	LT GREY	UNSEALED	SEALED	54200418	N/A	54200419, 54200417	C 04495870, 04661922
		SEALED	54200422	N/A	54200429	C 04707209	
A	BLACK	UNSEALED	SEALED	54200402N	N/A	54200414, 54200418, 54200419, 54200417	C 04707209, T.B.D.
		SEALED	54200410N	N/A	54200410	C 04707256	
B	BLACK	UNSEALED	SEALED	54200402N	N/A	54200414, 54200418, 54200419, 54200417	C 04707209
		SEALED	54200410N	N/A	54200410	C 04707256	
A	BLACK	UNSEALED	SEALED	54200402N	N/A	54200414, 54200418, 54200419, 54200417	C 04707209
		SEALED	54200410N	N/A	54200410	C 04707256	
B	BLACK	UNSEALED	SEALED	54200402N	N/A	54200414, 54200418, 54200419, 54200417	C 04707209
		SEALED	54200410N	N/A	54200410	C 04707256	
A	BLACK	UNSEALED	SEALED	54200402N	N/A	54200414, 54200418, 54200419, 54200417	C 04707209
		SEALED	54200410N	N/A	54200410	C 04707256	
B	BLACK	UNSEALED	SEALED	54200402N	N/A	54200414, 54200418, 54200419, 54200417	C 04707209
		SEALED	54200410N	N/A	54200410	C 04707256	
A	BLACK	UNSEALED	SEALED	54200402N	N/A	54200414, 54200418, 54200419, 54200417	C 04707209
		SEALED	54200410N	N/A	54200410	C 04707256	
B	BLACK	UNSEALED	SEALED	54200402N	N/A	54200414, 54200418, 54200419, 54200417	C 04707209
		SEALED	54200410N	N/A	54200410	C 04707256	
A	BLACK	UNSEALED	SEALED	54200402N	N/A	54200414, 54200418, 54200419, 54200417	C 04707209
		SEALED	54200410N	N/A	54200410	C 04707256	
B	BLACK	UNSEALED	SEALED	54200402N	N/A	54200414, 54200418, 54200419, 54200417	C 04707209
		SEALED	54200410N	N/A	54200410	C 04707256	
A	BLACK	UNSEALED	SEALED	54200402N	N/A	54200414, 54200418, 54200419, 54200417	C 04707209
		SEALED	54200410N	N/A	54200410	C 04707256	
B	BLACK	UNSEALED	SEALED	54200402N	N/A	54200414, 54200418, 54200419, 54200417	C 04707209
		SEALED	54200410N	N/A	54200410	C 04707256	
A	BLACK	UNSEALED	SEALED	54200402N	N/A	54200414, 54200418, 54200419, 54200417	C 04707209
		SEALED	54200410N	N/A	54200410	C 04707256	
B	BLACK	UNSEALED	SEALED	54200402N	N/A	54200414, 54200418, 54200419, 54200417	C 04707209
		SEALED	54200410N	N/A	54200410	C 04707256	
A	BLACK	UNSEALED	SEALED	54200402N	N/A	54200414, 54200418, 54200419, 54200417	C 04707209
		SEALED	54200410N	N/A	54200410	C 04707256	
B	BLACK	UNSEALED	SEALED	54200402N	N/A	54200414, 54200418, 54200419, 54200417	C 04707209
		SEALED	54200410N	N/A	54200410	C 04707256	
A	BLACK	UNSEALED	SEALED	54200402N	N/A	54200414, 54200418, 54200419, 54200417	C 04707209
		SEALED	54200410N	N/A	54200410	C 04707256	
B	BLACK	UNSEALED	SEALED	54200402N	N/A	54200414, 54200418, 54200419, 54200417	C 04707209
		SEALED	54200410N	N/A	54200410	C 04707256	
A	BLACK	UNSEALED	SEALED	54200402N	N/A	54200414, 54200418, 54200419, 54200417	C 04707209
		SEALED	54200410N	N/A	54200410	C 04707256	
B	BLACK	UNSEALED	SEALED	54200402N	N/A	54200414, 54200418, 54200419, 54200417	C 04707209
		SEALED	54200410N	N/A	54200410	C 04707256	
A	BLACK	UNSEALED	SEALED	54200402N	N/A	54200414, 54200418, 54200419, 54200417	C 04707209
		SEALED	54200410N	N/A	54200410	C 04707256	
B	BLACK	UNSEALED	SEALED	54200402N	N/A	54200414, 54200418, 54200419, 54200417	C 04707209
		SEALED	54200410N	N/A	54200410	C 04707256	
A	BLACK	UNSEALED	SEALED	54200402N	N/A	54200414, 54200418, 54200419, 54200417	C 04707209
		SEALED	54200410N	N/A	54200410	C 04707256	
B	BLACK	UNSEALED	SEALED	54200402N	N/A	54200414, 54200418, 54200419, 54200417	C 04707209
		SEALED	54200410N	N/A	54200410	C 04707256	
A	BLACK	UNSEALED	SEALED	54200402N	N/A	54200414, 54200418, 54200419, 54200417	C 04707209
		SEALED	54200410N	N/A	54200410	C 04707256	
B	BLACK	UNSEALED	SEALED	54200402N	N/A	54200414, 54200418, 54200419, 54200417	C 04707209
		SEALED	54200410N	N/A	54200410	C 04707256	
A	BLACK	UNSEALED	SEALED	54200402N	N/A	54200414, 54200418, 54200419, 54200417	C 04707209
		SEALED	54200410N	N/A	54200410	C 04707256	
B	BLACK	UNSEALED	SEALED	54200402N	N/A	54200414, 54200418, 54200419, 54200417	C 04707209
		SEALED	54200410N	N/A	54200410	C 04707256	
A	BLACK	UNSEALED	SEALED	54200402N	N/A	54200414, 54200418, 54200419, 54200417	C 04707209
		SEALED	54200410N	N/A	54200410	C 04707256	
B	BLACK	UNSEALED	SEALED	54200402N	N/A	54200414, 54200418, 54200419, 54200417	C 04707209
		SEALED	54200410N	N/A	54200410	C 04707256	
A	BLACK	UNSEALED	SEALED	54200402N	N/A	54200414, 54200418, 54200419, 54200417	C 04707209
		SEALED	54200410N	N/A	54200410	C 04707256	
B	BLACK	UNSEALED	SEALED	54200402N	N/A	54200414, 54200418, 54200419, 54200417	C 04707209
		SEALED	54200410N	N/A	54200410	C 04707256	
A	BLACK	UNSEALED	SEALED	54200402N	N/A	54200414, 54200418, 54200419, 54200417	C 04707209
		SEALED	54200410N	N/A	54200410	C 04707256	
B	BLACK	UNSEALED	SEALED	54200402N	N/A	54200414, 54200418, 54200419, 54200417	C 04707209
		SEALED	54200410N	N/A	54200410	C 04707256	
A	BLACK	UNSEALED	SEALED	54200402N	N/A	54200414, 54200418, 54200419, 54200417	C 04707209
		SEALED	54200410N	N/A	54200410	C 04707256	
B	BLACK	UNSEALED	SEALED	54200402N	N/A	54200414, 54200418, 54200419, 54200417	C 04707209
		SEALED	54200410N	N/A	54200410	C 04707256	
A	BLACK	UNSEALED	SEALED	54200402N	N/A	54200414, 54200418, 54200419, 54200417	C 04707209
		SEALED	54200410N	N/A	54200410	C 04707256	
B	BLACK	UNSEALED	SEALED	54200402N	N/A	54200414, 54200418, 54200419, 54200417	C 04707209
		SEALED	54200410N	N/A	54200410	C 04707256	
A	BLACK	UNSEALED	SEALED	54200402N	N/A	54200414, 54200418, 54200419, 54200417	C 04707209
		SEALED	54200410N	N/A	54200410	C 04707256	
B	BLACK	UNSEALED	SEALED	54200402N	N/A	54200414, 54200418, 54200419, 54200417	C 04707209
		SEALED	54200410N	N/A	54200410	C 04707256	
A	BLACK	UNSEALED	SEALED	54200402N	N/A	54200414, 54200418, 54200419, 54200417	C 04707209
		SEALED	54200410N	N/A	54200410	C 04707256	
B	BLACK	UNSEALED	SEALED	54200402N	N/A	54200414, 54200418, 54200419, 54200417	C 04707209
		SEALED</					

Mouser Electronics

Authorized Distributor

Click to View Pricing, Inventory, Delivery & Lifecycle Information:

[Aptiv:](#)

[54200402N](#) [54200409](#) [54200410](#) [54200402N-B](#) [54200409-B](#) [54200410-B](#) [54200412-B](#) [54200412](#) [54200404](#)
[54200403](#) [54200404-B](#)