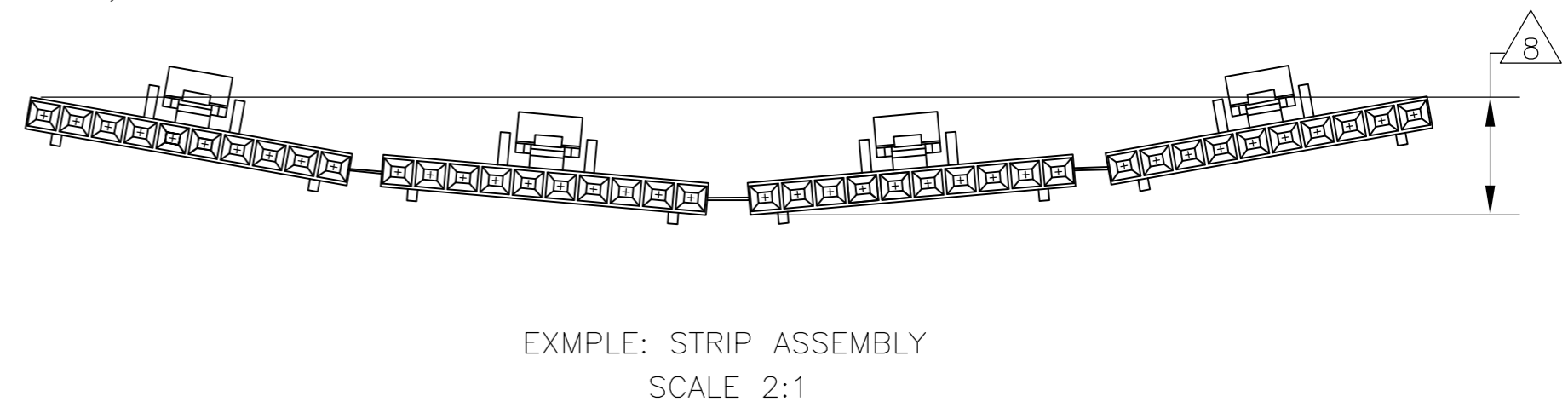
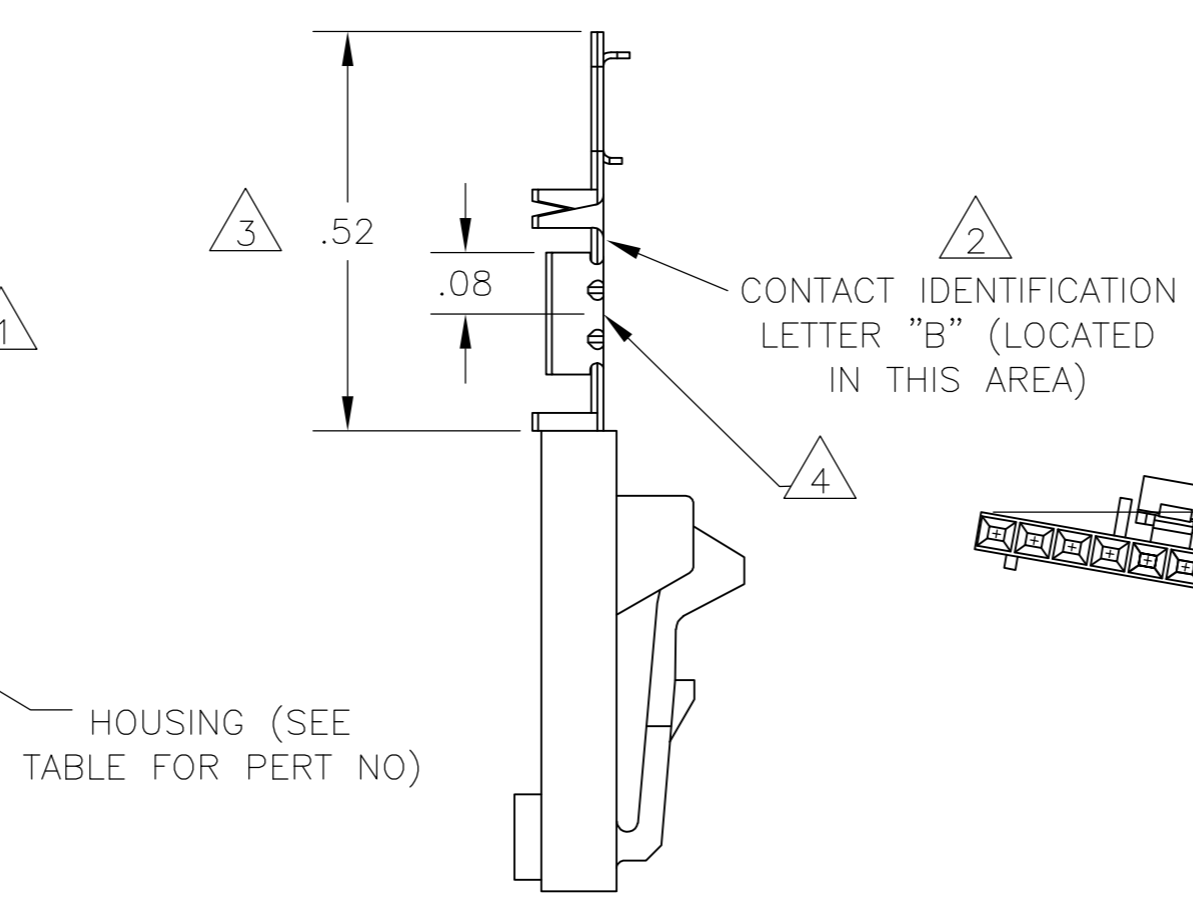
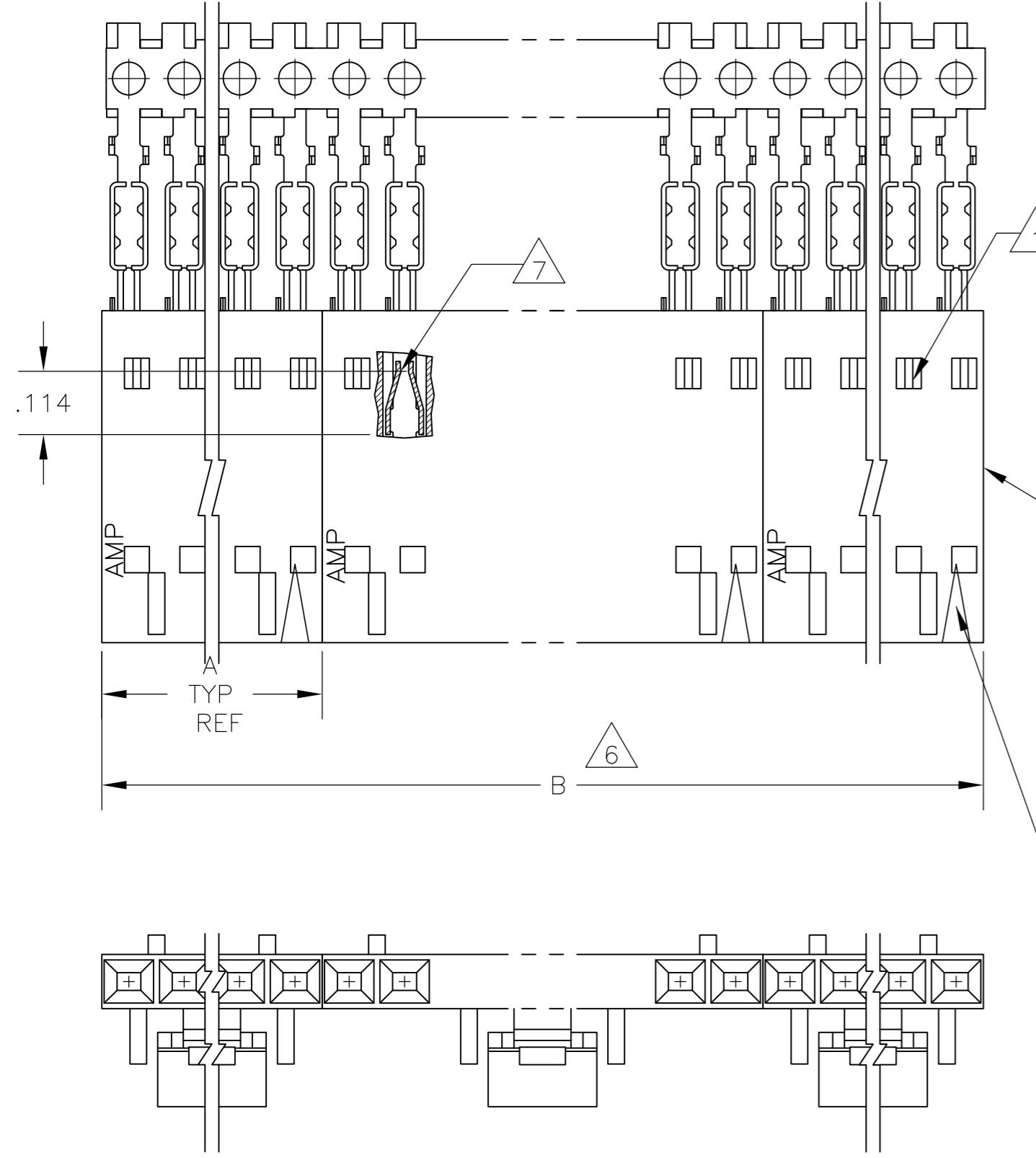


LOC	DIST	REVISIONS					
AD	00	P	LTR	DESCRIPTION	DATE	DWN	APVD
		P1		REVISED PER ECO-11-004587	11MAR11	RK	HMR



HOUSING (SEE TABLE FOR PERT NO)
 POSITION #1 INDICATOR (FAR SIDE)

- 1 CONTACTS ARE LATCHED INTO THE PRELOAD WINDOWS
- 2 USE WITH #22-#26 AWG WIRE SIZE, .054/.030 INSULATION DIAMETER, .015 MAXIMUM INSULATION THICKNESS
- 3 THE DIMENSION APPLIES WITH THE FORWARD PRELOAD STOP IN CONTACT WITH THE HOUSING SURFACE
- 4 POINT OF MEASUREMENT FOR PLATING THICKNESS
- 5 FOR INDIVIDUAL ASSEMBLIES SEE PART NUMBER 103734
- 6 ASSEMBLIES ARE JOINED BY THE CARRIER STRIP. ORDER QUANTITY REFLECTS TOTAL NUMBER OF INDIVIDUAL ASSEMBLIES REQUIRED. SEE TABLE FOR NUMBER OF ASSEMBLIES PER STRIP.
- 7 POINT OF MEASUREMENT FOR PLATING THICKNESS (INSIDE BEAMS)
- 8 MAXIMUM ALLOWABLE BOW OF ASSEMBLY NOT TO EXCEED .055.
- 9 .000030 GOLD IN THE CONTACT AREA. .000050-.000100 BRIGHT TIN-LEAD ON THE TERMINATION AREA, ALL OVER .000050 NICKEL.
- 10 .000030 GOLD IN THE CONTACT AREA. .000050-.000100 BRIGHT TIN ON THE TERMINATION AREA, ALL OVER .000050 NICKEL.
- 11 PRELIMINARY PART - NOT RELEASED FOR PRODUCTION.
- 12 .000030 GOLD IN THE CONTACT AREA, .000050 -.000100 MATTE TIN ON THE TERMINATION AREA, ALL OVER .000050 NICKEL

12	2	2.40	1.198	1-104257-1	12	6-103958-1
12	2	2.20	1.098	1-104257-0	11	6-103958-0
12	2	2.00	.998	104257-9	10	5-103958-9
12	2	1.80	.898	104257-8	9	5-103958-8
12	2	1.60	.798	104257-7	8	5-103958-7
12	2	1.40	.698	104257-6	7	5-103958-6
12	4	2.39	.598	104257-5	6	5-103958-5
12	4	1.99	.498	104257-4	5	5-103958-4
12	5	1.99	.398	104257-3	4	5-103958-3
12	8	2.40	.298	104257-2	3	5-103958-2
12	10	2.00	.198	104257-1	2	5-103958-1
10	2	1.60	.798	104257-7	8	1-103958-6
10	4	1.99	.498	104257-4	5	1-103958-5
10	5	1.99	.398	104257-3	4	1-103958-4
10	8	2.40	.298	104257-2	3	1-103958-3
10	10	2.00	.198	104257-1	2	1-103958-2
9	2	2.40	1.198	1-104257-1	12	1-103958-1
9	2	2.20	1.098	1-104257-0	11	1-103958-0
9	2	2.00	.998	104257-9	10	103958-9
9	2	1.80	.898	104257-8	9	103958-8
9	2	1.60	.798	104257-7	8	103958-7
9	2	1.40	.698	104257-6	7	103958-6
9	4	2.39	.598	104257-5	6	103958-5
9	4	1.99	.498	104257-4	5	103958-4
9	5	1.99	.398	104257-3	4	103958-3
9	8	2.40	.298	104257-2	3	103958-2
9	10	2.00	.198	104257-1	2	103958-1
PLATING	6	B	A	HOUSING PART NUMBER	NO OF POSN	ASSEMBLY PART NUMBER ON STRIP

THIS DRAWING IS A CONTROLLED DOCUMENT.

DWN L A MAYER 11-4-86
 CHK P de Jong 11-12-86
 APVD P de Jong 11-12-86

DIMENSIONS: INCHES
 TOLERANCES UNLESS OTHERWISE SPECIFIED:
 0 PLC ± -
 1 PLC ± -
 2 PLC ± .02
 3 PLC ± .005
 4 PLC ± -
 ANGLES ± -
 FINISH SEE TABLE

PRODUCT SPEC: 108-25034
 APPLICATION SPEC: 114-25026
 WEIGHT: -

NAME: RCPT ASSY, AMPMODU MTE, SINGLE ROW, .100 C/L, LATCHED & POLARIZED, FOR NO 22-NO 26 AWG WIRE SIZE, STRIP FORM

SIZE: A2 CAGE CODE: 00779 DRAWING NO: C-103958

TE Connectivity

RESTRICTED TO: -

CUSTOMER DRAWING SCALE: 4:1 SHEET: 1 of 1 REV: P1

Mouser Electronics

Authorized Distributor

Click to View Pricing, Inventory, Delivery & Lifecycle Information:

[TE Connectivity:](#)

[103958-9](#)