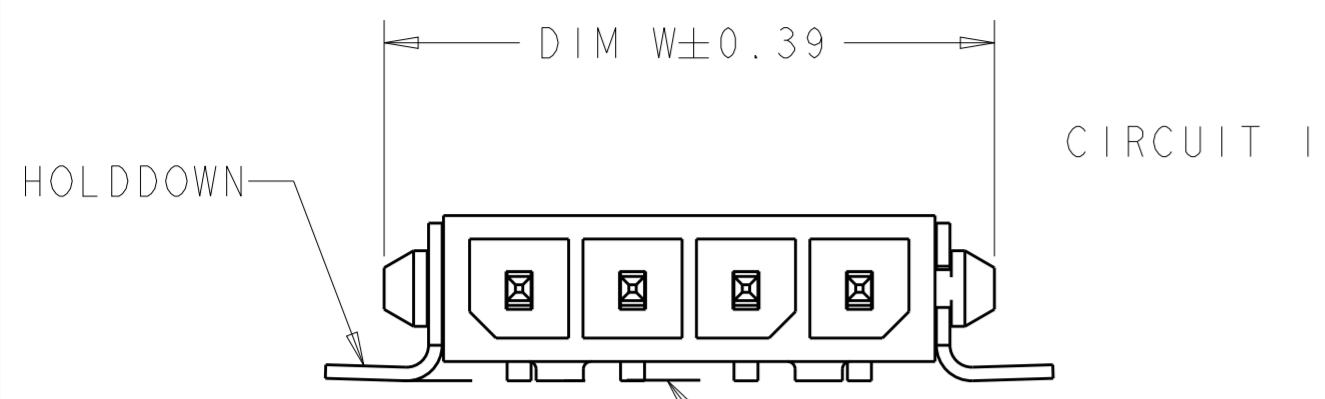
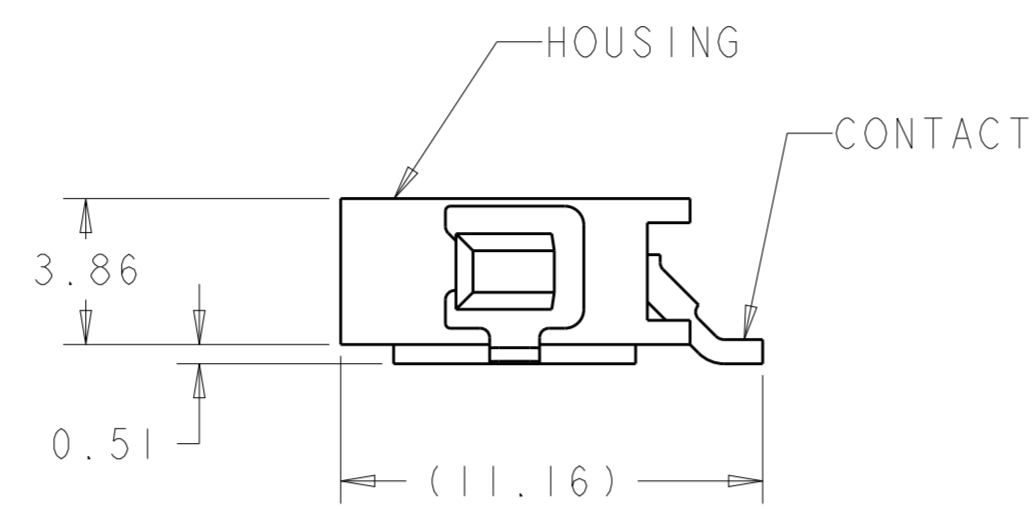


THIS DRAWING IS UNPUBLISHED. RELEASED FOR PUBLICATION 20
 © COPYRIGHT 20 ALL RIGHTS RESERVED.

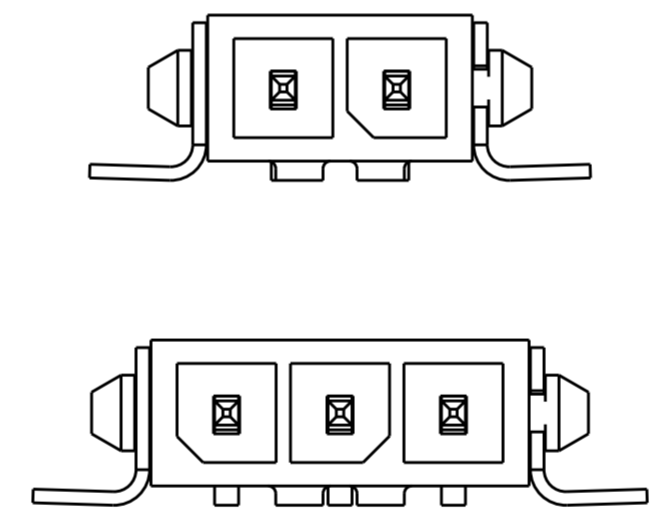
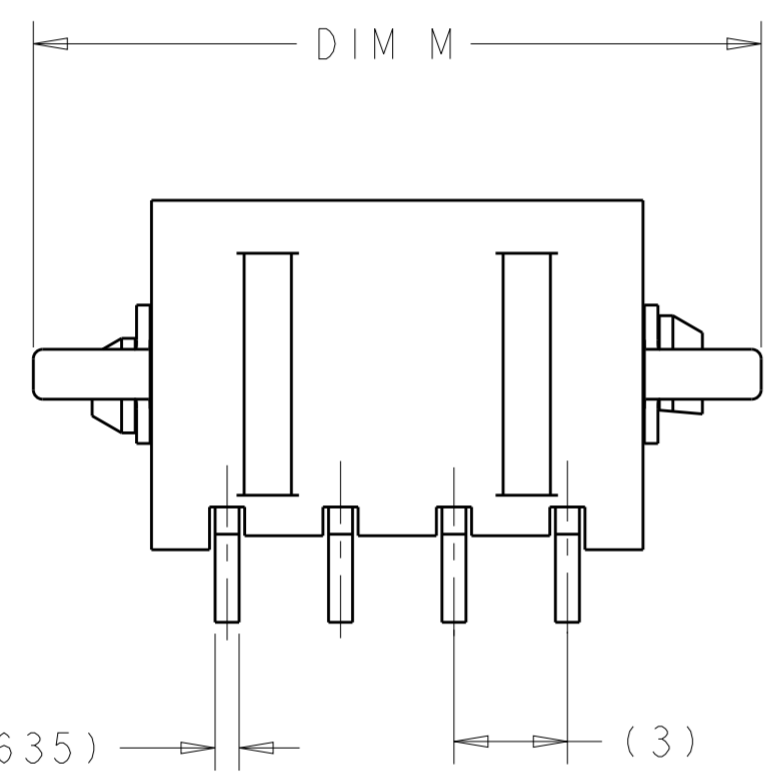
LOC	DIST	REVISIONS					
CM	00	P	LTR	DESCRIPTION	DATE	DWN	APVD
		A1		REVISED PER ECO-11-005027	07MAY2011	RK	HMR
		A2		REVISED PER ECO-17-007352	10MAY2017	CX	DZ
		A3		REVISED PER ECR-17-012975	05SEP2017	JB	DZ



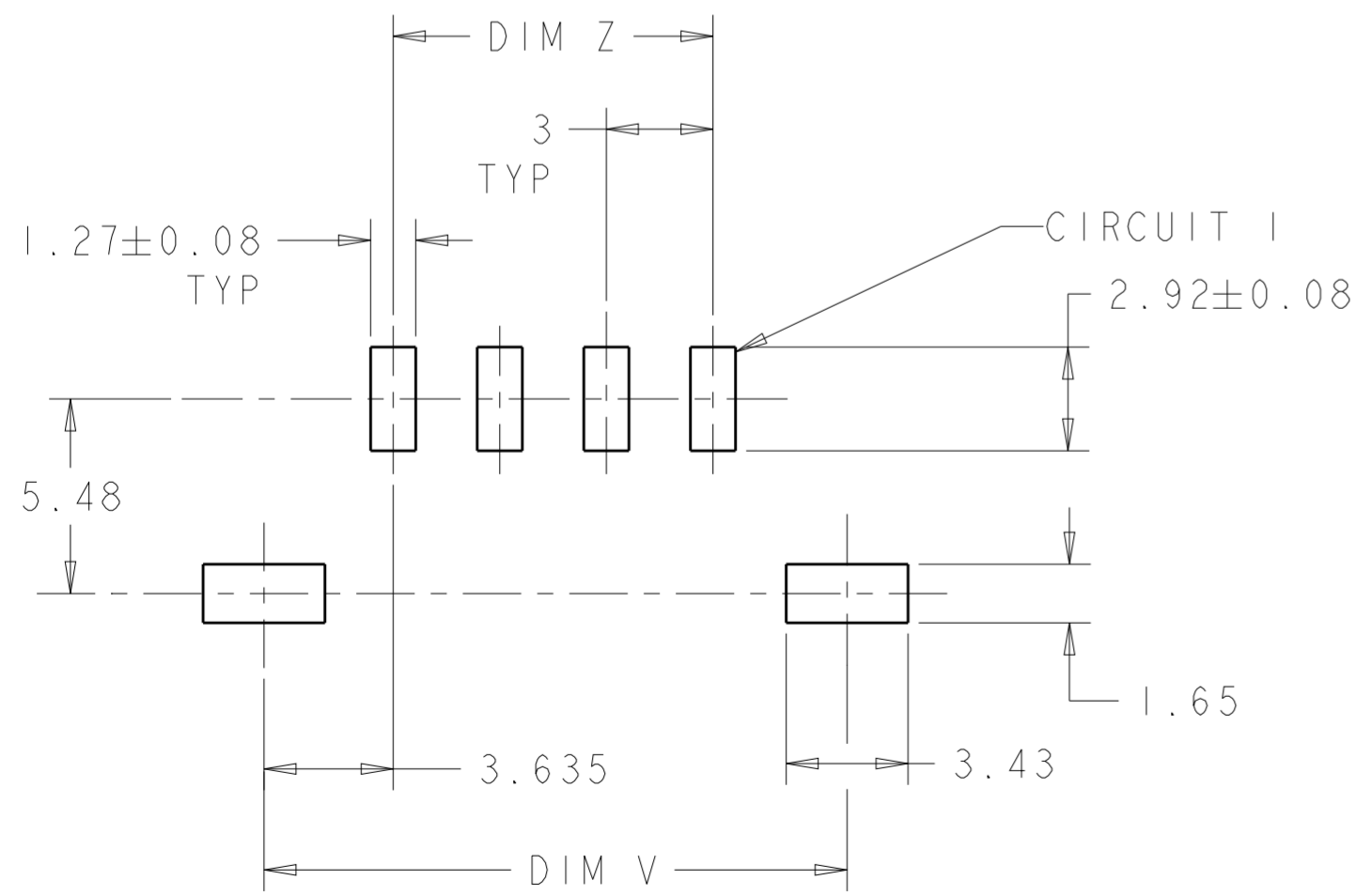
0.15
 INCLUDES CONTACT TAILS, HOUSING STANDOFFS, AND BOARDLOCKS



- 1 MATERIAL: CONTACTS - BRASS
 HOUSING - UL 94V-0 RATED HIGH TEMP NYLON, COLOR BLACK.
 HOLDDOWNS - PHOSPHOR BRONZE.
- 2 PLATING: CONTACTS - 2.54µm MINIMUM TIN OVER 1.27µm MINIMUM NICKEL. LEAD FREE PLATING.
 HOLDDOWNS - 2.54µm MINIMUM TIN OVER 1.27µm MINIMUM NICKEL. LEAD FREE PLATING.
- 3 RECOMMENDED PC BOARD THICKNESS OF 1.57.
- 4 PLATING: CONTACTS - 2.54µm MINIMUM TIN OVER 1.27µm MINIMUM NICKEL. LEAD FREE PLATING.
 0.762µm MINIMUM GOLD ON MATING END.
 HOLDDOWNS - 2.54µm MINIMUM TIN OVER 1.27µm MINIMUM NICKEL. LEAD FREE PLATING.
- 5 PRELIMINARY DRAWING NOT RELEASED FOR PRODUCTION.



KEYING BY POSITION SIZE



PCB LAYOUT COMPONENT SIDE 3

FINISH	DIM M	DIM Z	DIM W	DIM V	NO. OF POSN	PART NUMBER
4	13.25	3	10	10.41	2	2-2029030-2
4	13.25	3	10	10.41	2	1-2029030-2
2	19.25	9	16	16.41	4	2029030-4
2	16.25	6	13	13.41	3	2029030-3
2	13.25	3	10	10.41	2	2029030-2

THIS DRAWING IS A CONTROLLED DOCUMENT.

DIMENSIONS: mm	TOLERANCES UNLESS OTHERWISE SPECIFIED:	DWN K. WHITAKER 27NOV2007	TE Connectivity NAME RT ANG SURF MNT HDR ASSY, SGL LATCH, TIN POSTS, SURF MOUNT HOLDDOWNS, SINGLE ROW, MICRO MATE-N-LOK(TM) SIZE A2 CAGE CODE G-2029030 DRAWING NO. G-2029030
	0 PLC ±0.13	CHK C. JONES 27NOV2007	
	1 PLC ±0.13	APVD C. JONES 27NOV2007	
	2 PLC ±0.13	PRODUCT SPEC	
	3 PLC ±0.13	APPLICATION SPEC	RESTRICTED TO
	4 ANGLES ±	WEIGHT	A200779
MATERIAL	FINISH	CUSTOMER DRAWING	SCALE 5:1 SHEET 1 OF 1 REV A3

Mouser Electronics

Authorized Distributor

Click to View Pricing, Inventory, Delivery & Lifecycle Information:

[TE Connectivity:](#)

[2029030-3](#)