



**Features:**

- Motor: External Rotor Capacitor-Run Induction Motor
- Motor Protection: Thermal Protected
- Bearing Type: Two Ball
- Connection: UL 1015 AWG 22, 300mm Wire Leads or Terminal
- Frame Material: Aluminum Alloy
- Impeller Material: Steel
- **IP54 Certified**
- Operating Temp:  
Two Ball: -20°C~70°C
- Life Expectancy:  
Two Ball: 50,000 Hours  
Two Ball: 100,000 Hours (-L)



Fan-S Division



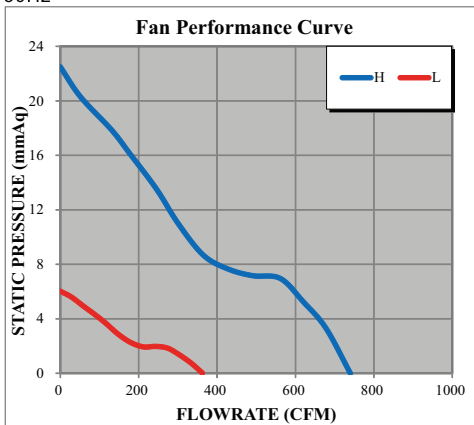
Model No.	Volt.	Freq.	Current	Power	Rated Speed	Maximum AirFlow		Maximum Static Pressure		Noise Level	Weight
	(VAC)	(Hz)	(A)	(W)	(rpm)	(CMM)	(CFM)	(InAq)	(mmAq)	(dB/A)	(g)
FDA2-25489NBH * 4F #	115	50/60	0.58/0.88	66.0/97.0	2800/3200	20.94/24.34	740/860	0.886/0.846	22.5/21.5	66.0/68.0	2750
FDA2-25489QBH * 4F #	230	50/60	0.28/0.42	64.0/92.0	2800/3200	20.94/24.34	740/860	0.886/0.846	22.5/21.5	66.0/68.0	2750
FDA2-25489NBL * 4F #	115	50/60	0.34/0.28	30.0/29.0	1400/1650	9.54/12.45	337/440	0.240/0.307	6.1/7.8	50.0/52.0	2750
FDA2-25489QBL * 4F #	230	50/60	0.17/0.14	32.0/32.0	1400/1650	9.54/12.45	337/440	0.240/0.307	6.1/7.8	50.0/52.0	2750

\* Indicates "W" (Wire Leads) or "T" (Terminal)

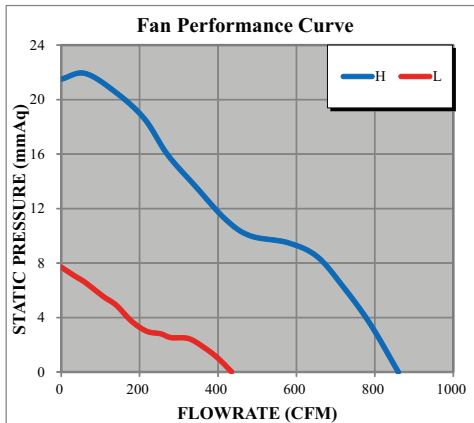
# Indicates "-L" (100,000 Hours Life Expectancy) or Leave Blank (50,000 Hours Life Expectancy)

Noise is measured at the distance of one (1) meter from the axis of intake.

50Hz



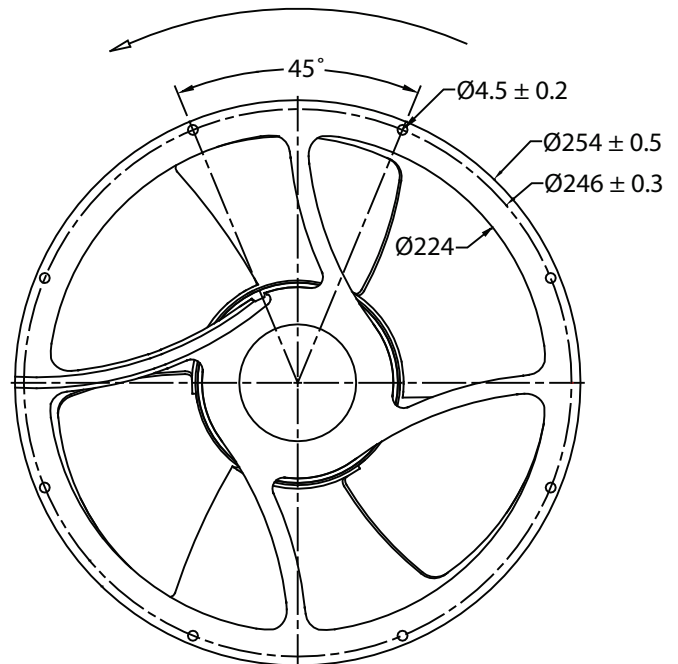
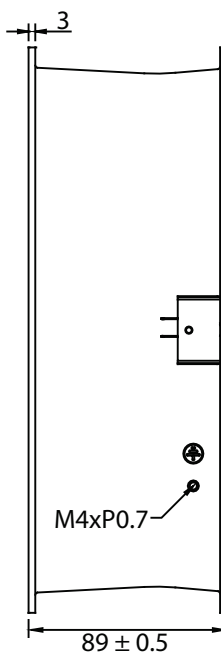
60Hz



Air flow



Rotation direction



# Mouser Electronics

Authorized Distributor

Click to View Pricing, Inventory, Delivery & Lifecycle Information:

[Qualtek:](#)

[FDA2-25489NBLW4F](#) [FDA2-25489NBLT4F](#) [FDA2-25489QBLT4F](#) [FDA2-25489QBLW4F](#) [FDA2-25489NBHT4F](#)