

THIS DRAWING IS UNPUBLISHED.

RELEASED FOR PUBLICATION

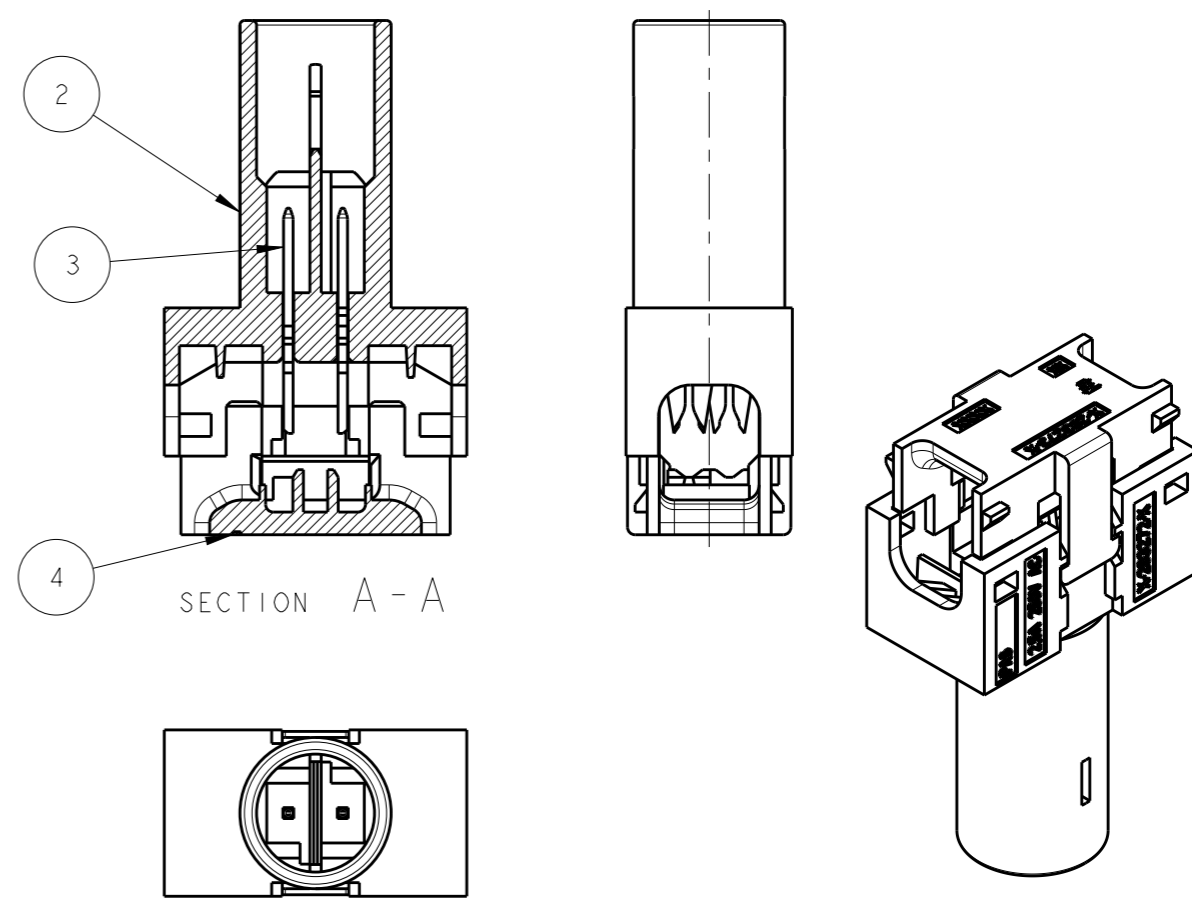
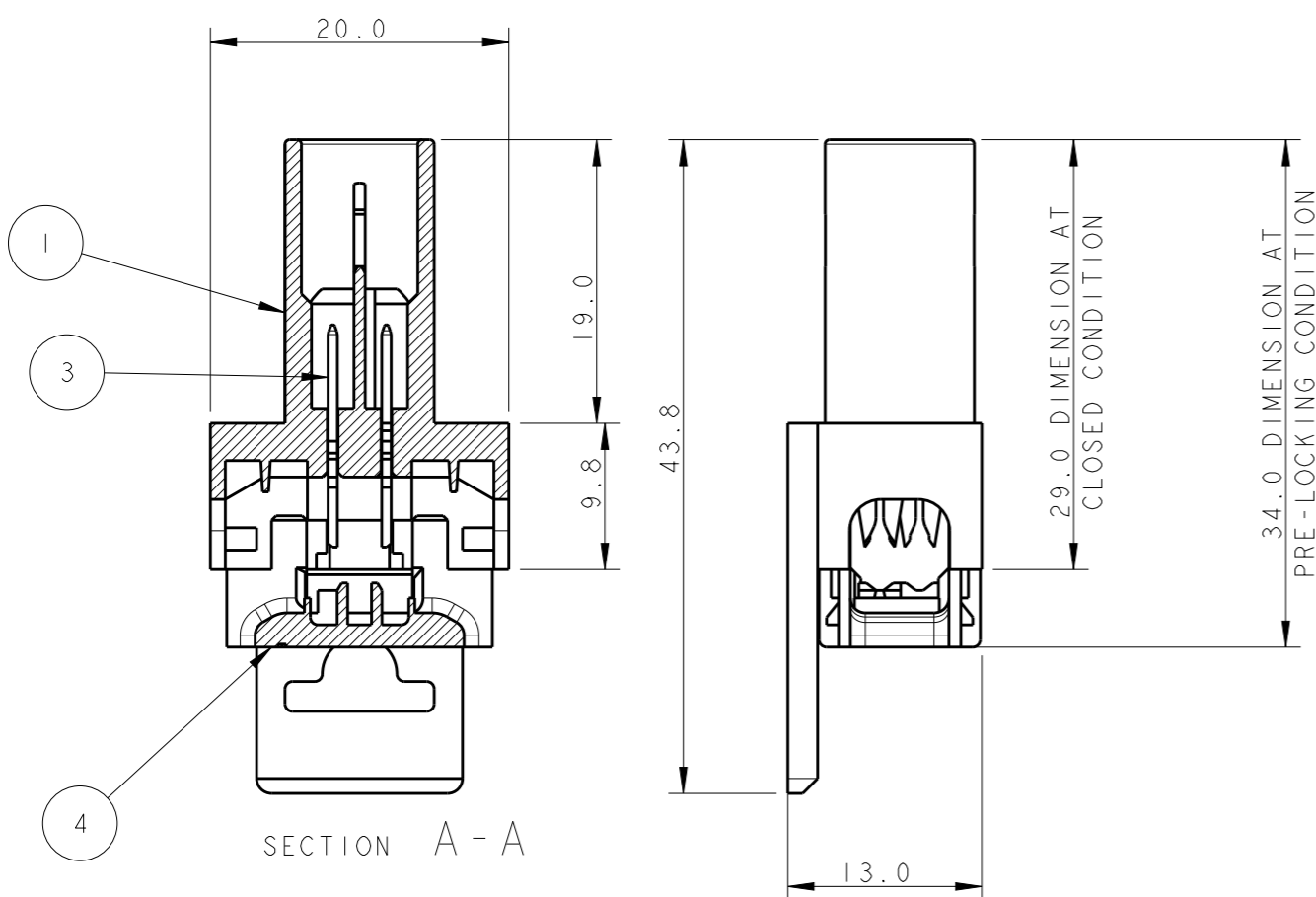
20

© COPYRIGHT 20

Tyco Electronics AMP GmbH

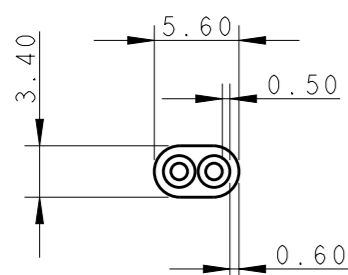
ALL RIGHTS RESERVED.

LOC	DIST	REVISIONS				
P	LTR	DESCRIPTION	DATE	DWN	APVD	
A1	-	L	IMPROVED LOCKING RETENTION TEETH	20MAY2011	AV	GT
		M	REMOVED H05VVH2-F CABLE	22AUG2012	MZ	JC
		N	ECR-16-004670	26APR2016	RS	JL



CABLE CONFIGURATION



CABLE H03VVH2-F  
2x0.75 mm<sup>2</sup>



P/N 0-293300-1;-2 AS SHOWN  
POLARIZATION KEY HV-1

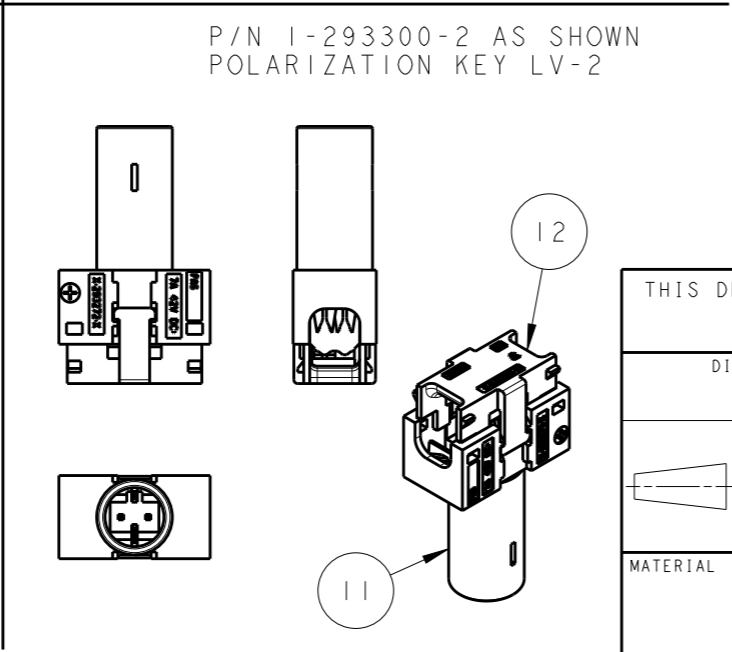
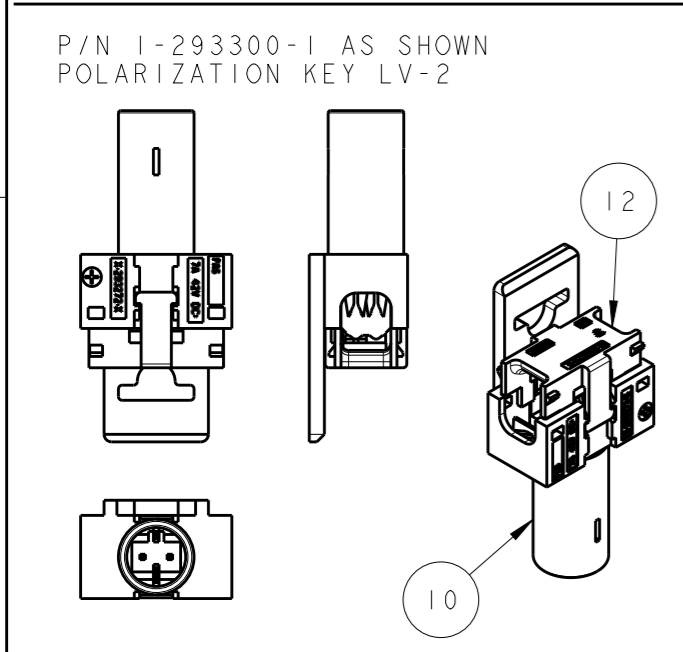
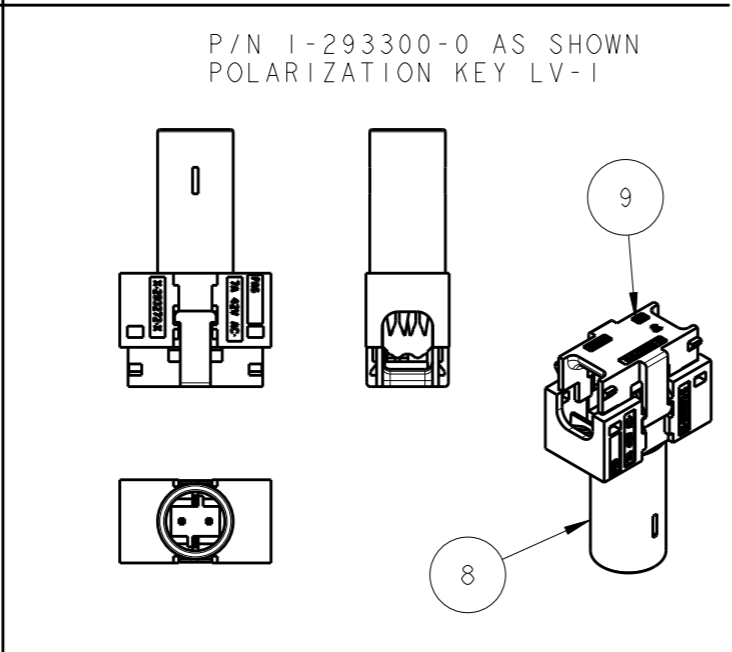
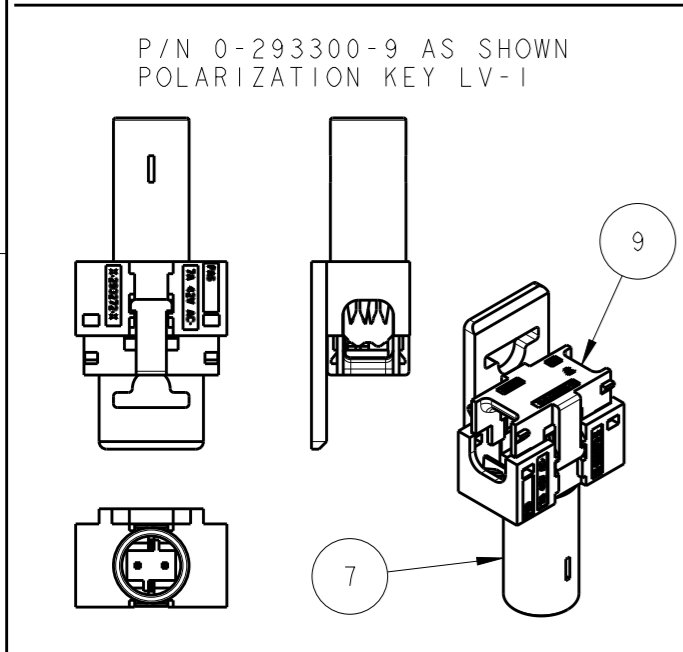
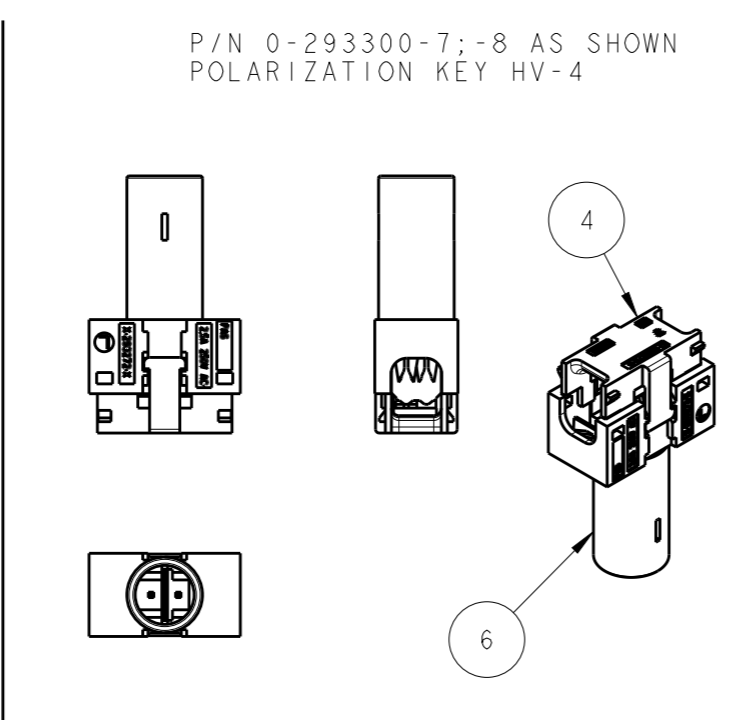
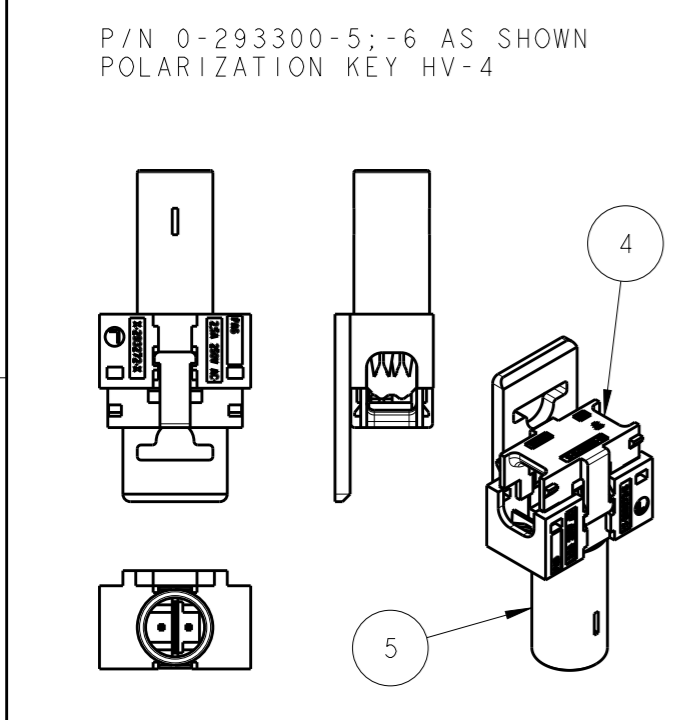
MISSING DIMENSION SEE P/N 0-...-1

P/N 0-293300-3;-4 AS SHOWN  
POLARIZATION KEY HV-1

THIS DRAWING IS A CONTROLLED DOCUMENT.		DWN A. Vecchia 23APR2007	 <b>TE Connectivity</b>	
DIMENSIONS: mm		CHK G. Turco 23APR2007		
TOLERANCES UNLESS OTHERWISE SPECIFIED:		APVD G. Turco 23APR2007	NAME BUS BAR 2 POSITION GENERAL	
		PRODUCT SPEC 108-94018	SIZE A300779	
MATERIAL -		FINISH -	DRAWING NO C-293300	
0 PLC ± 1 PLC ±0.3 2 PLC ±0.05 3 PLC ± 4 PLC ± ANGLES ±°		APPLICATION SPEC 114-20131	RESTRICTED TO -	
CUSTOMER DRAWING		WEIGHT -	SCALE 2:1	
		SHEET 1 OF 2		REV N

THIS DRAWING IS UNPUBLISHED. RELEASED FOR PUBLICATION 20  
 © COPYRIGHT 20 Tyco Electronics AMP GmbH ALL RIGHTS RESERVED.

LOC	DIST	REVISIONS					
A1	-	P	LTR	DESCRIPTION	DATE	DWN	APVD
			-	SEE SHEET 1		-	-



													COVER YELLOW	12
													BODY HOUSING W/O FLANGE YELLOW LV-2	11
													BODY HOUSING YELLOW LV-2	10
													COVER LIGHT GREY	9
													BODY HOUSING W/O FLANGE LIGHT GREY LV-1	8
													BODY HOUSING LIGHT GREY LV-1	7
													BODY HOUSING W/O FLANGE BLACK HV-4	6
													BODY HOUSING W/O FLANGE WHITE HV-4	6
													BODY HOUSING BLACK HV-4	5
													BODY HOUSING WHITE HV-4	5
													COVER BLACK	4
													COVER WHITE	4
2	2	2	2	2	2	2	2	2	2	2	2	2	CONTACT	3
													BODY HOUSING W/O FLANGE BLACK HV-1	2
													BODY HOUSING W/O FLANGE WHITE HV-1	2
													BODY HOUSING BLACK HV-1	1
													BODY HOUSING WHITE HV-1	1
													DESCRIPTION	ITEM
L	L	L	L	L	L	L	L	L	L	L	L	L	REVISIONE DELL'ASSEMBLATO (REV. OF EACH ASSY NO)	
LV-2	LV-2	LV-1	LV-1	HV-4	HV-4	HV-4	HV-4	HV-1	HV-1	HV-1	HV-1	HV-1	KEYING	ELENCO DEI COMPONENTI (PART LIST)

THIS DRAWING IS A CONTROLLED DOCUMENT.

DIMENSIONS: mm

TOLERANCES UNLESS OTHERWISE SPECIFIED:

0 PLC	±0.3
1 PLC	±0.3
2 PLC	±0.05
3 PLC	±
4 PLC	±
ANGLES	±°

MATERIAL: - FINISH: -

DWN	A. Vecchia	23APR2007
CHK	G. Turco	23APR2007
APVD	G. Turco	23APR2007
PRODUCT SPEC	108-94018	
APPLICATION SPEC	114-20131	
WEIGHT	-	

CUSTOMER DRAWING

**TE** TE Connectivity

NAME: BUS BAR 2 POSITION GENERAL

SIZE	CAGE CODE	DRAWING NO	RESTRICTED TO
A3	00779	C-293300	-

SCALE: 2:1 SHEET: 2 OF 2 REV: N

# Mouser Electronics

Authorized Distributor

Click to View Pricing, Inventory, Delivery & Lifecycle Information:

[TE Connectivity:](#)

[1-293300-2](#)