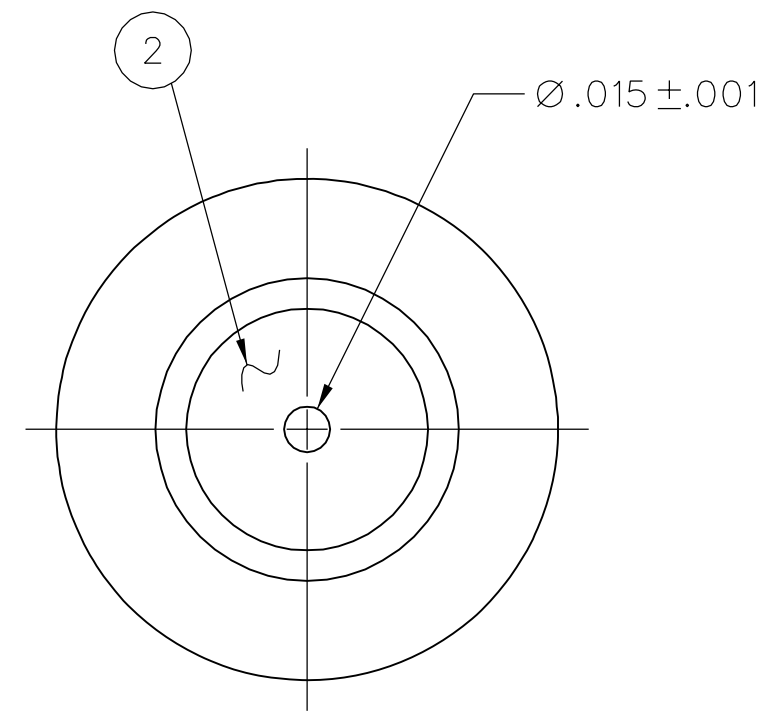
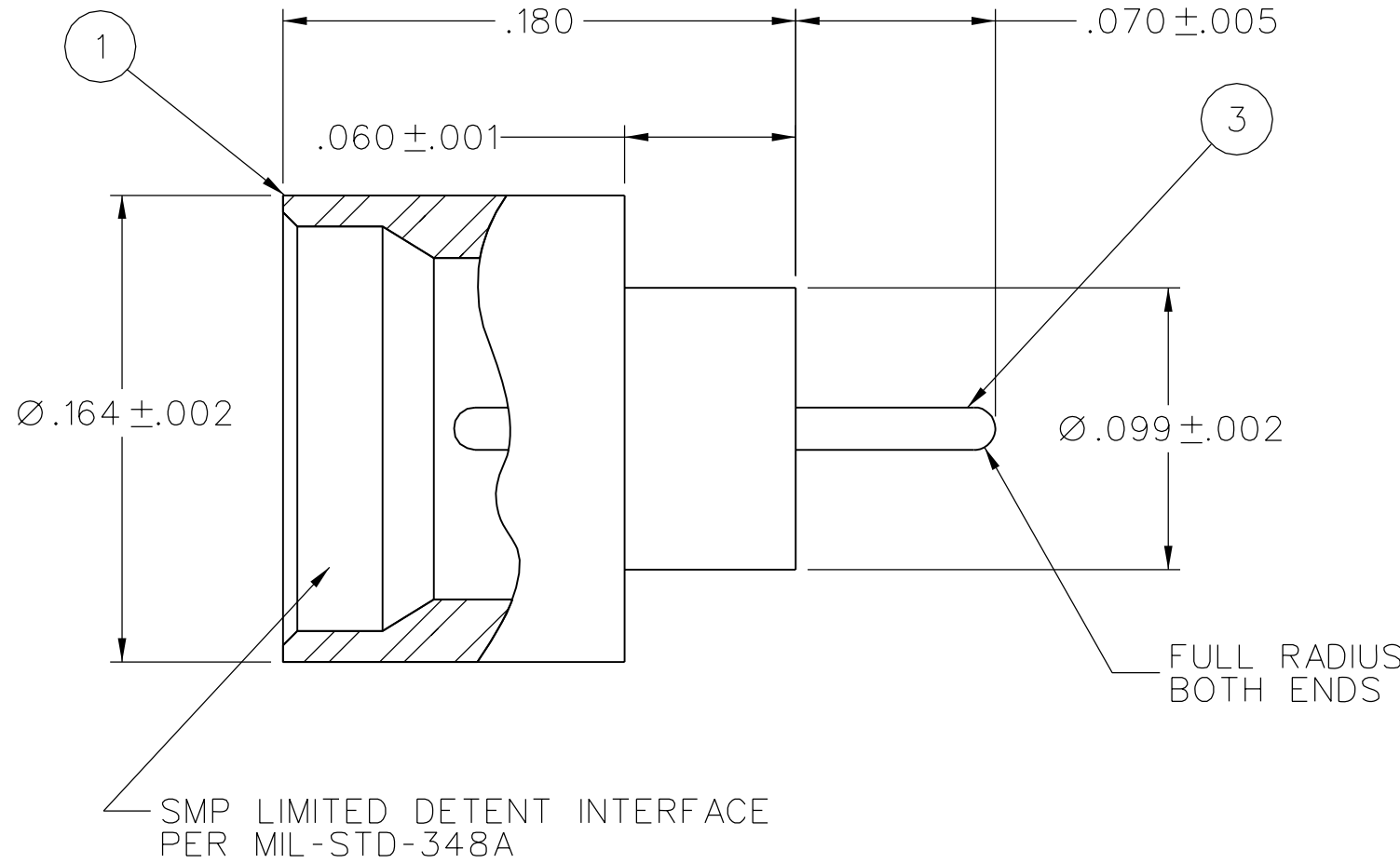


PART NUMBER	ITEM ① SHROUD BODY	ITEM ② INSULATOR	ITEM ③ PIN
127-1711-601	KOVAR GOLD PL .00005 MIN OVER NICKEL PL	GLASS, CORNING 7070 OR EQUIVALENT	KOVAR GOLD PL .00005 MIN OVER NICKEL PL

DRAWING NO. B-127-1711-601/610	
0	REVISIONS
ENGINEERING RELEASE	
1	1-4-07 PAT JRK JCN 1-18-07 ECN 50861



CUSTOMER DRAWING

THIS DRAWING TO BE INTERPRETED
PER ASME Y 14.5M - 1994

"μSTATION"

COMPANY CONFIDENTIAL

NOTES:

- SPECIFICATIONS:
ELECTRICAL:
IMPEDANCE: 50 OHMS NOMINAL
FREQUENCY RANGE: DC TO 18 GHZ
VSWR: DEPENDANT ON APPLICATION
ENVIRONMENTAL:
HERMETICITY: 1×10^{-8} cc/sec AT ONE ATMOSPHERE
SOLDERABILITY: MEETS REQUIREMENTS OF MIL-STD-202G, TEST METHOD 208H.
OPERATING TEMPERATURE: -55 DEG C TO +165 DEG C

TOLERANCE UNLESS OTHERWISE SPECIFIED		DRAWN BY PAT	DATE 11-21-06
DECIMALS	mm	CHECKED BY JRK	DATE 1-18-07
.XX	_____	APPROVED BY JCN	DATE 1-18-07
.XXX ±.003	_____	RELEASE DATE	1-18-07
MATL	_____	U/M	INCH
FINISH	_____	SCALE	15:1

	Cinch Connectivity Solutions P.O. Box 1732 Waseca, MN 56093 1-800-247-8256	
	TITLE SMP LIMITED DETENT STRAIGHT FEEDTHRU SHROUD HERMETIC SEALED PIN CONTACT	
SHEET 2 OF 2	DRAWING NO. B-127-1711-601/610	

Mouser Electronics

Authorized Distributor

Click to View Pricing, Inventory, Delivery & Lifecycle Information:

[Cinch Connectivity Solutions:](#)

[127-1711-601](#)