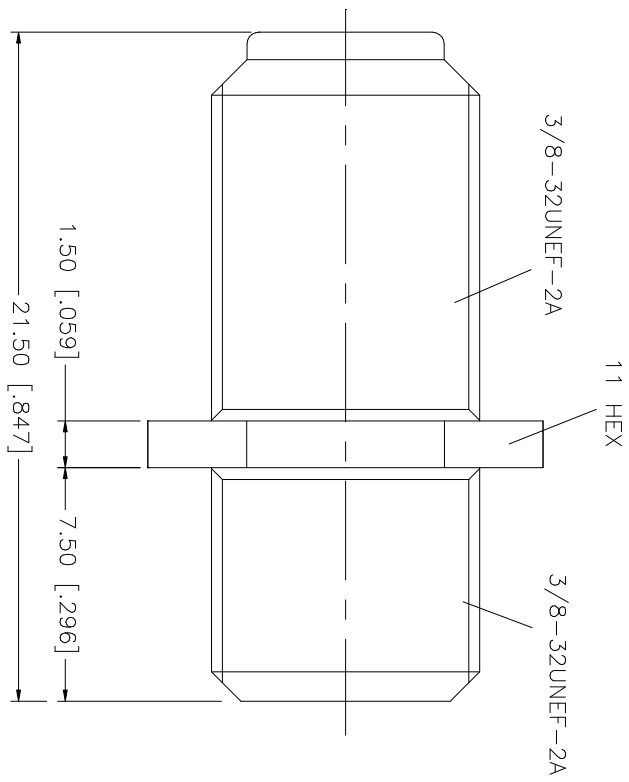
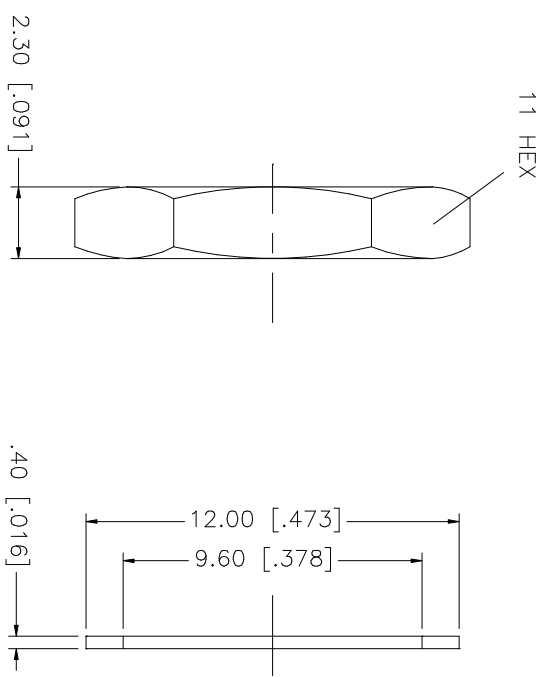


REV.	DATE	DESCRIPTION
A	04/27/99	CHANGE PLATING SPEC. / UPDATE DWG.
B	05/01/04	UPDATE DRAWING FORMAT
C	02/21/06	MODIFY BODY DIMENSIONS



8	DESCRIPTION	MATERIAL	FINISH	QTY	DO NOT SCALE DRAWING	CAD FILE	DWG. NO.	REV.	SIZE	SCALE
8							222121.DWG	C	A	NA
7										
6	HEX NUT	BRASS	NICKEL	1						
5	WASHER	BRASS	NICKEL	1						
4	CONTACT PIN	BRASS	BRIGHT TIN	1						
3	INSULATOR	P.P.	NATURAL	1						
2	BODY	DIECAST	NICKEL	1						
1										

Amphenol Connex

F CONNECTOR

222121

UNLESS OTHERWISE SPECIFIED DIMENSIONS ARE IN MILLIMETERS DIMENSIONS IN [] ARE IN INCHES AND FOR CUSTOMER REFERENCE ONLY.
 UNLESS OTHERWISE SPECIFIED TOLERANCES FOR MILLIMETERS ARE:
 0.5 - 8mm ± 0.20mm
 8 - 30mm ± 0.40mm
 30 - 120mm ± 0.50mm
 UNLESS OTHERWISE SPECIFIED TOLERANCES FOR INCHES ARE:
 .020 - .315 = ± 0.007"
 .315 - 1.180 = ± 0.015"
 1.180 - 4.724 = ± 0.020"

APPROVALS	DATE
DRAWN G.R.S.	02/21/06
CHECKED	
ISSUED	
SHEET 1 OF 1	

PART DESCRIPTION	PART NO.
F CONNECTOR	222121

Mouser Electronics

Authorized Distributor

Click to View Pricing, Inventory, Delivery & Lifecycle Information:

[Amphenol:](#)

[222121](#)