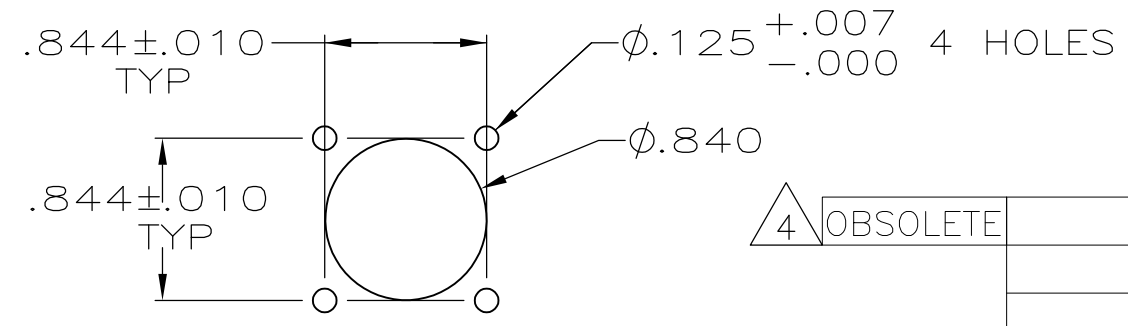
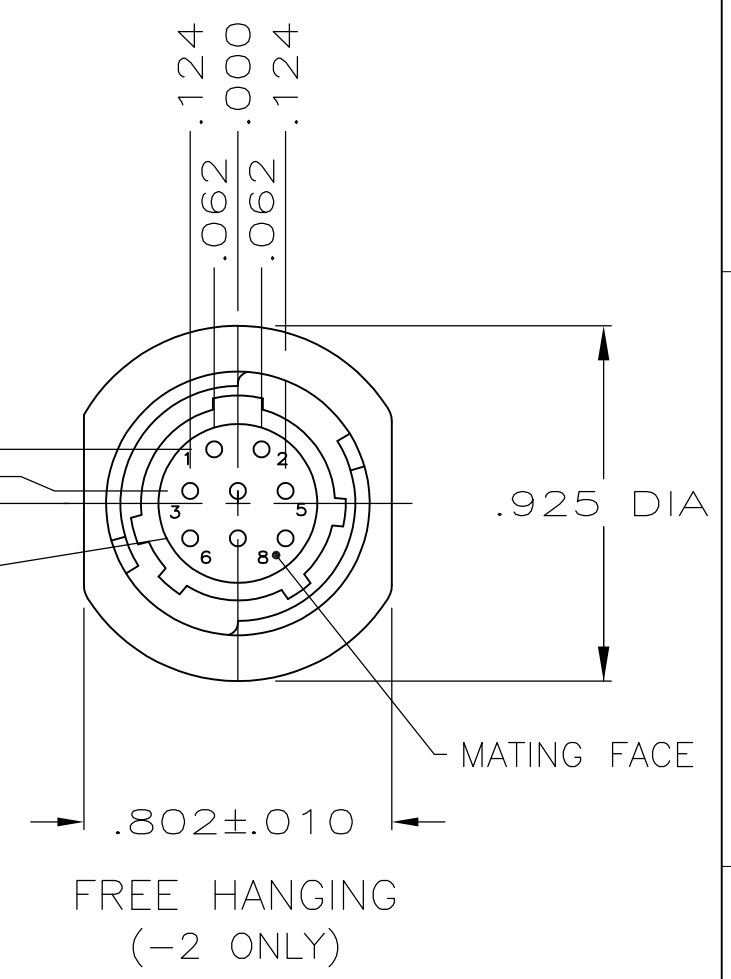
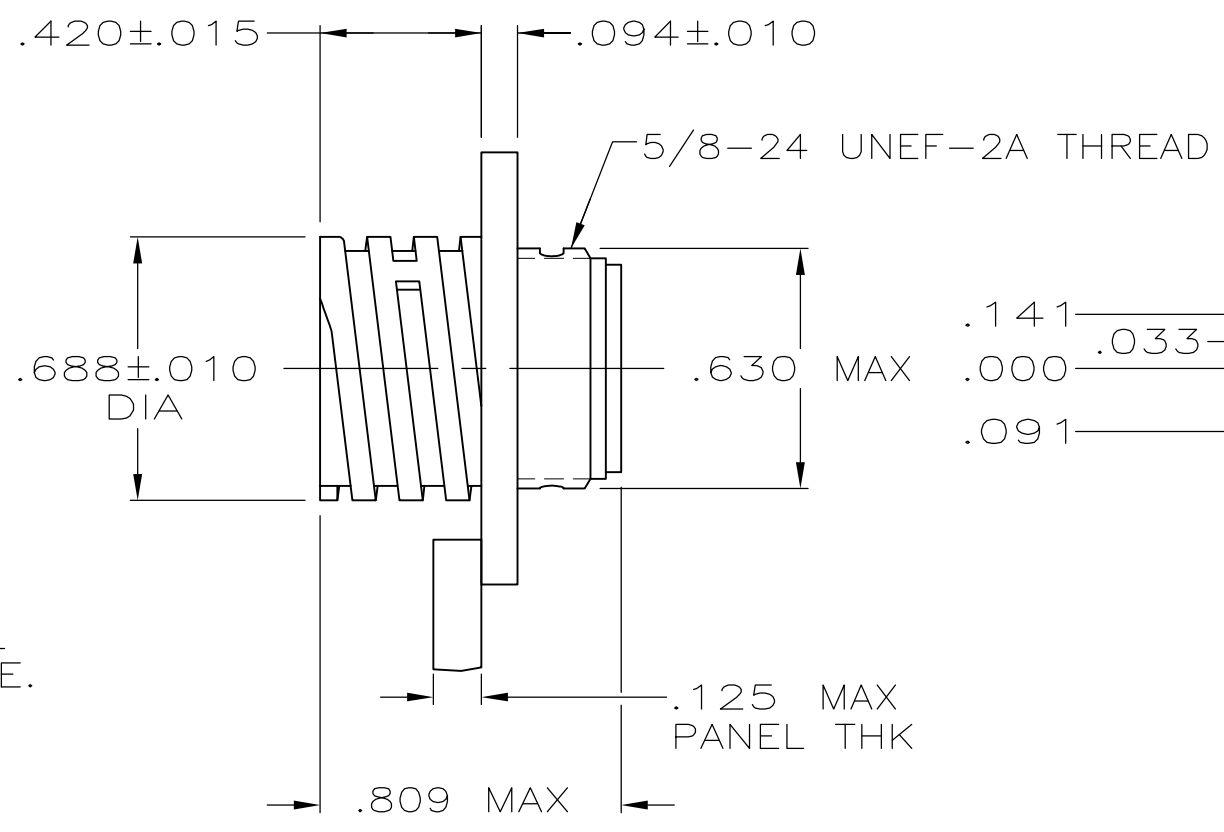
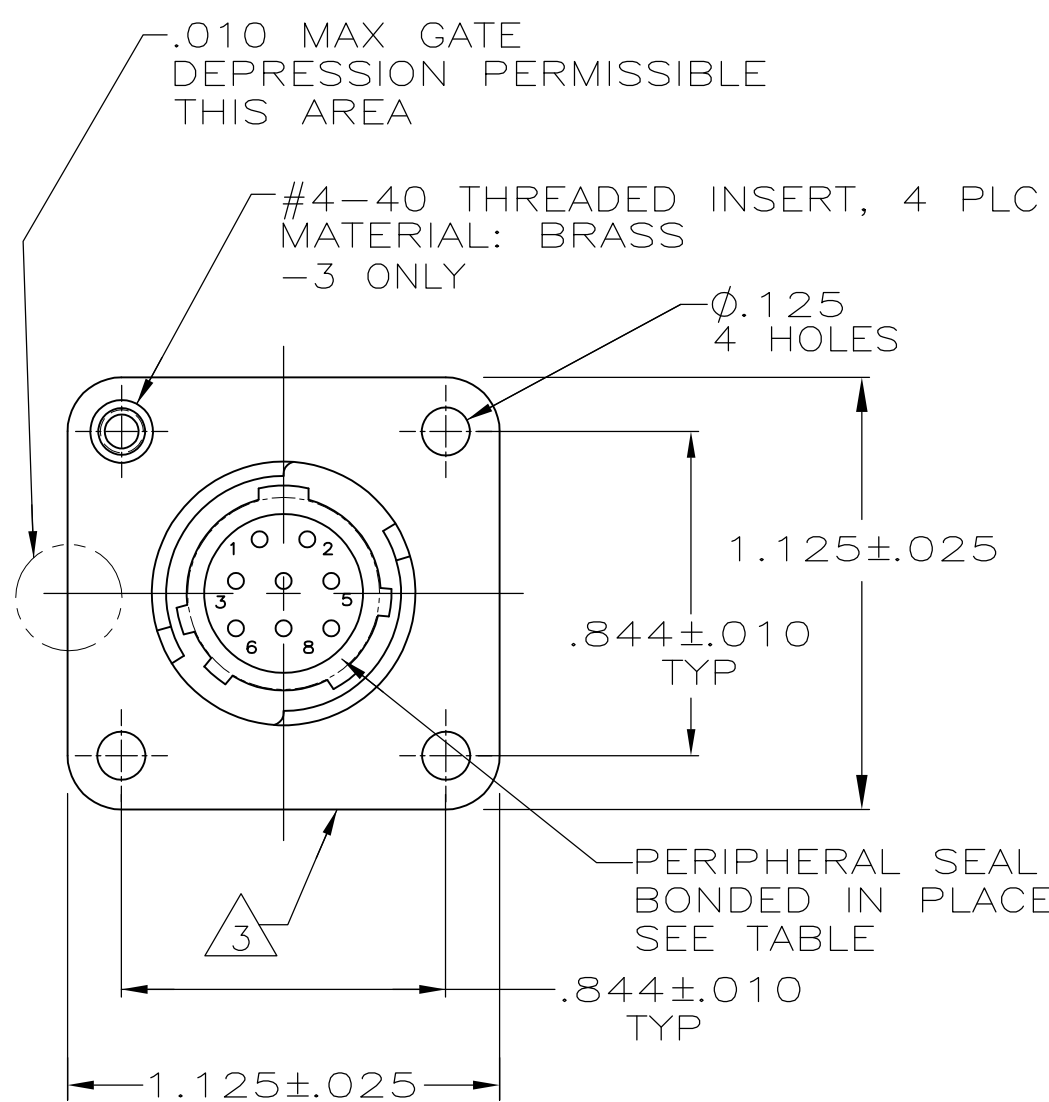


THIS DRAWING IS UNPUBLISHED. RELEASED FOR PUBLICATION
 © COPYRIGHT - By - ALL RIGHTS RESERVED.

LOC	DIST	REVISIONS					
FT	0	P	LTR	DESCRIPTION	DATE	DWN	APVD
			N4	REVISED PER ECO-13-019645	14DEC2013	KH	MZ



PANEL CUTOUT SCALE 1:1

4 OBSOLETE

	-	YES	YES	205841-4
	205841-1	YES	NO	205841-3
	205841-2	NO	NO	205841-2
	205841-1	NO	NO	205841-1
PART NUMBER LOCATED ON FLANGE EDGE		THREADED INSERTS	PERIPHERAL SEAL	PART NUMBER

- 1 CONTACT CAVITIES IDENTIFIED BY CHARACTERS ON FRONT AND REAR FACES OF CONNECTOR.
- 2 WILL ACCEPT (8) SIZE 20 PIN CONTACTS.
- 3 AMP LOGO AND PART NUMBER LOCATED ON ANY FLANGE EDGE SEE CHART FOR PART NUMBER
- 4 OBSOLETE PARTS: OBSOLETE CIS STREAMLINING PER D.RENAUD/D.SINISI

THIS DRAWING IS A CONTROLLED DOCUMENT.

DIMENSIONS: INCHES	TOLERANCES UNLESS OTHERWISE SPECIFIED:	DWN A.STAUB BG 4/5/91	TE Connectivity RECEPTACLE ASSEMBLY, STD SEX, SERIES 2, 11-8, CPC
	0 PLC ± -	CHK W.G.LENKER 7-24-92	
	1 PLC ± -	APVD -	
	2 PLC ± -	PRODUCT SPEC 108-10024	
MATERIAL THERMOPLASTIC, BLK	FINISH -	APPLICATION SPEC -	SIZE A3 CAGE CODE 00779 DRAWING NO C-205841 RESTRICTED TO - CUSTOMER DRAWING SCALE 2:1 SHEET 1 OF 1 REV N4

Mouser Electronics

Authorized Distributor

Click to View Pricing, Inventory, Delivery & Lifecycle Information:

[TE Connectivity:](#)

[205841-2](#)