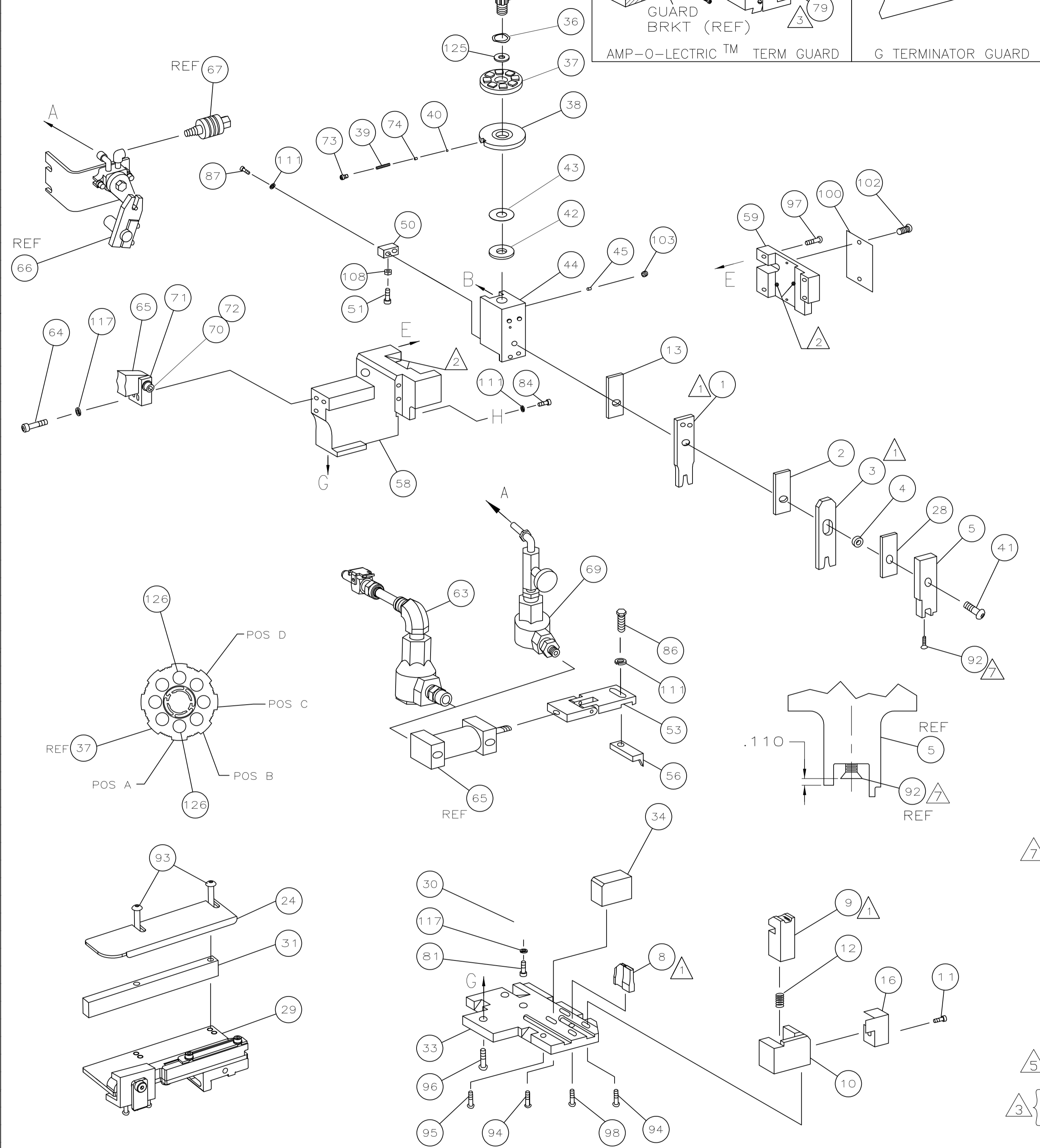


THIS DRAWING IS UNPUBLISHED. RELEASED FOR PUBLICATION.
 © COPYRIGHT BY TYCO ELECTRONICS CORPORATION. ALL INTERNATIONAL RIGHTS RESERVED.

PART NUMBER	REV	FIRST USED
1852196-1	B	122500-1
1852196-2	B	565435-5
1852196-3	B	354500-1



RECOMMENDED SPARE PARTS.

GREASE LIGHTLY.

GUARD MUST BE IN PLACE WHEN OPERATING APPLICATOR IN A BENCH MACHINE.

SEE DRAWING FOR COMPONENTS

CUT TO LENGTH AT ASSY

THIS APPLICATOR APPLIES TERMINAL WITH A SEAL.

APPLY TORQ-SEAL IN ALLEN SOCKET TO FILL HOLE AFTER FLAT HD HAS BEEN ADJUSTED TO CORRECT HEIGHT AT QUALIFICATION. APPLY PN 1-23419-5 LOC-TITE TO THREADS.

BENCH MACHINE & LEADMAKER

TERMINAL NAME: FEMALE

AMP TERM PN	MFR TERM PN	YAZAKI TERMINAL	AMP CRIMP SPECS
1572942	7116-4143-02		
		PAD LTR	CRIMP HEIGHT
		A	2.25 ±0.05 [.089 ±.002]
		B	NOT USED
		C	NOT USED
		D	NOT USED
		CRIMP	SIZE
			10 AWG
		WIRE	TYPE
			RANGE
			10 AWG
		INSUL	0
			3.80-4.05mm
		WIRE STRIP LENGTH	TERM APPL SPEC
			NONE
		FEED	APPL INSTRUCTION
		.870	408-8040
		SET UP GAGE	LAYOUT
		458637-1	L1852196

QTY REQD	PER ASSY	PART NO	DESCRIPTION	ITEM NO		
				129		
				128		
				127		
2	2	2	7-354778-7	PIN, WIRE DISC (.2880)A	126	
1	1	1	986950-1	WASHER, FLAT PRECISION	125	
1	1	1	217238-1	GENERAL INSTRUCTION PACKAGE	124	
1	1	1	4088040	SF APPL INST 408-8040	123	
				122		
				121		
				120		
				119		
				118		
3	3	3	21024-5	WASHER, LOCK(#10)ADJ BLOCK	117	
				116		
				115		
				114		
				113		
				112		
4	4	4	21024-4	WASHER, LOCK(#8)STRIPPER	111	
				110		
				109		
1	1	1	21018-5	NUT, HEX(NO.6)HOLDDOWN	108	
				107		
				106		
				105		
				104		
1	1	1	21009-2	SCR,SKT SET(1/4-20x.25 LW)RAM	103	
2	2	2	21017-2	SCR,DRIVE(#2x.19)ID PLATE	102	
				101		
1	1	1	461264-1	PLATE, IDENTIFICATION	100	
				99		
1	1	1	22733-8	SCR,BHC(8-32x.38 LW)ANVIL	98	
4	4	4	2-21002-9	SCR,BHC(10-32x.75)CAP	97	
3	3	3	2-22733-8	SCR,BHC(1/4-20x.62)HSG	96	
1	1	1	2-21002-7	SCR,BHC(10-32x.50)SG ADJ BLK	95	
4	4	4	2-21002-2	SCR,BHC(8-32x.50)TERM H DWN	94	
2	2	2	2-21002-4	SCR,BHC(8-32x.75)CAP	93	
1	1	1	1-21003-9	SCR,FHC(6-32x.38)DEP	92	
				91		
				90		
				89		
				88		
2	2	2	2-21000-7	SCR,SHC(8-32x.44)DEP-HOLD	87	
1	1	1	2-22603-0	SCR,HEX HD(8-32x.38)FEED FINGER	86	
				85		
1	1	1	2-21000-7	SCR,SHC(8-32x.50)STRIPPER	84	
				83		
				82		
1	1	1	3-21000-4	SCR,SHC(10-32x.38)SG ADJ BL	81	
				80		
				79		
				78		
				77		
				76		
				75		
1	1	1	690603-1	SPRING, ASSIST	74	
1	1	1	23030-1	SCR,SHC(6-32x.25 SL)INS DISC	73	
1	1	1	3-21001-5	SCR,SHC(3/8-16x1.00)AIR FEED	72	
1	1	1	459610-1	MOUNT, FEED BRACKET	71	
-3	-2	-1	U/M	PART NO	DESCRIPTION	ITEM NO
						70
						69
						68
						67
						66
						65
						64
						63
						62
						61
						60
1	1	1	454220-1	CAP, RAM	59	
1	1	1	454485-1	HOUSING	58	
						57
1	1	1	458537-2	PAWL, FEED	56	
						55
						54
1	1	1	461062-1	FEED FINGER ASSY	53	
						52
1	1	1	811242-2	BUMPER, HOLDDOWN	51	
1	1	1	690753-1	SPACER, TONKER	50	
						49
						48
						47
						46
1	1	1	690191-1	PLUG, NYLON	45	
1	1	1	819307-4	RAM	44	
1	1	1	690125-1	WASHER, LAMINATED	43	
1	1	1	690124-1	WASHER, RAM	42	
1	1	1	7-21002-9	BOLT, CRIMPER(5/16x1.00)	41	
1	1	1	23241-6	BALL, STEEL	40	
1	1	1	690170-1	SPRING, COMPRESSION	39	
1	1	1	1-690142-3	DISC, INSULATION	38	
1	1	1	354777-1	DISC, WIRE	37	
1	1	1	22480-5	WASHER, SPRING	36	
1	1	1	690212-1	POST, RAM	35	
1	1	1	690786-3	SUPPORT, TERMINAL	34	
1	1	1	318055-4	PLATE, BASE	33	
						32
1	1	1	1-1320908-2	SPACER, STRIP GUIDE	31	
1	1	1	455689-1	BLOCK, STRIP GUIDE ADJ	30	
1	1	1	1633091-7	STRIP GUIDE ASSEMBLY	29	
1	1	1	455888-8	SPACER, FRONT SHEAR DEP	28	
						27
						26
						25
1	1	1	1320928-1	GUIDE, STRIP (REAR)	24	
						23
						22
						21
						20
1	1	1	619353-1	STRIPPER	19	
						18
						17
1	1	1	318563-1	GUARD, CHIP, FRONT	16	
						15
						14
1	1	1	455888-5	SPACER, CRIMPER	13	
1	1	1	3-22280-3	SPRING, SHEAR	12	
1	1	1	1-21000-9	STOP, SHEAR	11	
1	1	1	2-690459-2	HOLDER, SHEAR (FRONT)	10	
1	1	1	318059-4	SHEAR, FLOAT (FRONT)	9	
1	1	1	1633332-2	ANVIL	8	
						7
						6
1	1	1	122399-4	DEPRESSOR, SHEAR (FRONT)	5	
1	1	1	238011-2	SPACER, BLOCK CRIMPER	4	
1	1	1	6-1583690-3	CRIMPER, INSULATION	3	
1	1	1	2-455888-1	SPACER, CRIMPER	2	
1	1	1	4-1633305-7	CRIMPER, WIRE	1	
-3	-2	-1	U/M	PART NO	DESCRIPTION	ITEM NO

LOC: A DIST: 66

REVISONS

REV	DESCRIPTION	DATE	BY	APPV
B	ECR-09-009983	5-2009	MY	TE

QTY REQD	PER ASSY	PART NO	DESCRIPTION	ITEM NO		
				70		
				69		
				68		
				67		
				66		
				65		
				64		
				63		
				62		
				61		
				60		
1	1	1	454220-1	CAP, RAM	59	
1	1	1	454485-1	HOUSING	58	
					57	
1	1	1	458537-2	PAWL, FEED	56	
					55	
					54	
1	1	1	461062-1	FEED FINGER ASSY	53	
					52	
1	1	1	811242-2	BUMPER, HOLDDOWN	51	
1	1	1	690753-1	SPACER, TONKER	50	
					49	
					48	
					47	
					46	
1	1	1	690191-1	PLUG, NYLON	45	
1	1	1	819307-4	RAM	44	
1	1	1	690125-1	WASHER, LAMINATED	43	
1	1	1	690124-1	WASHER, RAM	42	
1	1	1	7-21002-9	BOLT, CRIMPER(5/16x1.00)	41	
1	1	1	23241-6	BALL, STEEL	40	
1	1	1	690170-1	SPRING, COMPRESSION	39	
1	1	1	1-690142-3	DISC, INSULATION	38	
1	1	1	354777-1	DISC, WIRE	37	
1	1	1	22480-5	WASHER, SPRING	36	
1	1	1	690212-1	POST, RAM	35	
1	1	1	690786-3	SUPPORT, TERMINAL	34	
1	1	1	318055-4	PLATE, BASE	33	
					32	
1	1	1	1-1320908-2	SPACER, STRIP GUIDE	31	
1	1	1	455689-1	BLOCK, STRIP GUIDE ADJ	30	
1	1	1	1633091-7	STRIP GUIDE ASSEMBLY	29	
1	1	1	455888-8	SPACER, FRONT SHEAR DEP	28	
					27	
					26	
					25	
1	1	1	1320928-1	GUIDE, STRIP (REAR)	24	
					23	
					22	
					21	
					20	
1	1	1	619353-1	STRIPPER	19	
					18	
					17	
1	1	1	318563-1	GUARD, CHIP, FRONT	16	
					15	
					14	
1	1	1	455888-5	SPACER, CRIMPER	13	
1	1	1	3-22280-3	SPRING, SHEAR	12	
1	1	1	1-21000-9	STOP, SHEAR	11	
1	1	1	2-690459-2	HOLDER, SHEAR (FRONT)	10	
1	1	1	318059-4	SHEAR, FLOAT (FRONT)	9	
1	1	1	1633332-2	ANVIL	8	
					7	
					6	
1	1	1	122399-4	DEPRESSOR, SHEAR (FRONT)	5	
1	1	1	238011-2	SPACER, BLOCK CRIMPER	4	
1	1	1	6-1583690-3	CRIMPER, INSULATION	3	
1	1	1	2-455888-1	SPACER, CRIMPER	2	
1	1	1	4-1633305-7	CRIMPER, WIRE	1	
-3	-2	-1	U/M	PART NO	DESCRIPTION	ITEM NO

THIS DRAWING IS A CONTROLLED DOCUMENT.

DIN: C. REICHELDERFER 22FEB08

CIK: -

APVD: J. ELBIN 22FEB08

NAME: Tyco Electronics Corporation, Harrisburg, PA 17105-3608

PRODUCT SPEC: SIDE FEED HDM APPLICATOR

APPLICATION SPEC: -

SIZE: A1

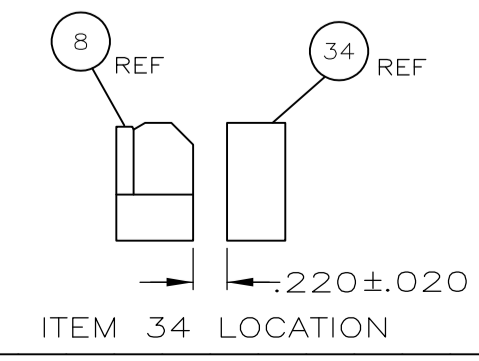
WEIGHT: F

CUSTOMER DRAWING: 1852196

SCALE: -

SHEET: 1 of 1

REV: B



Mouser Electronics

Authorized Distributor

Click to View Pricing, Inventory, Delivery & Lifecycle Information:

[TE Connectivity:](#)

[1852196-3](#)