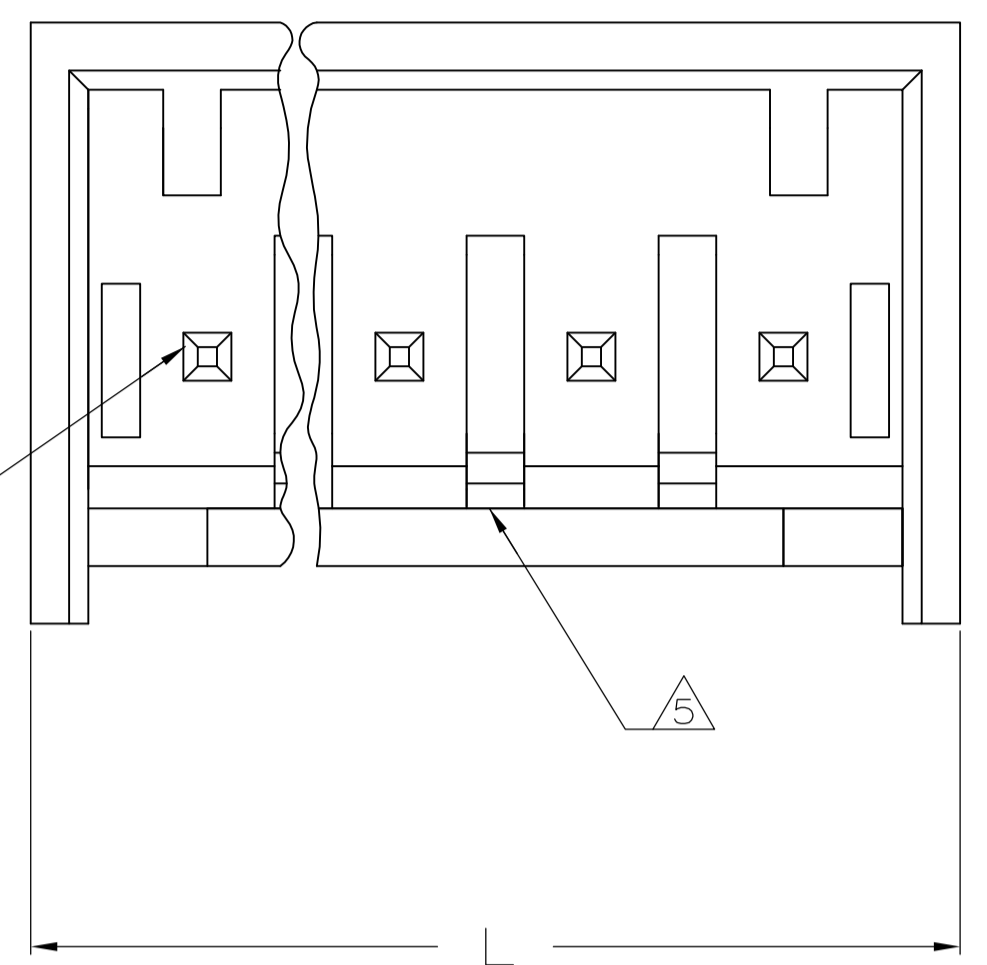
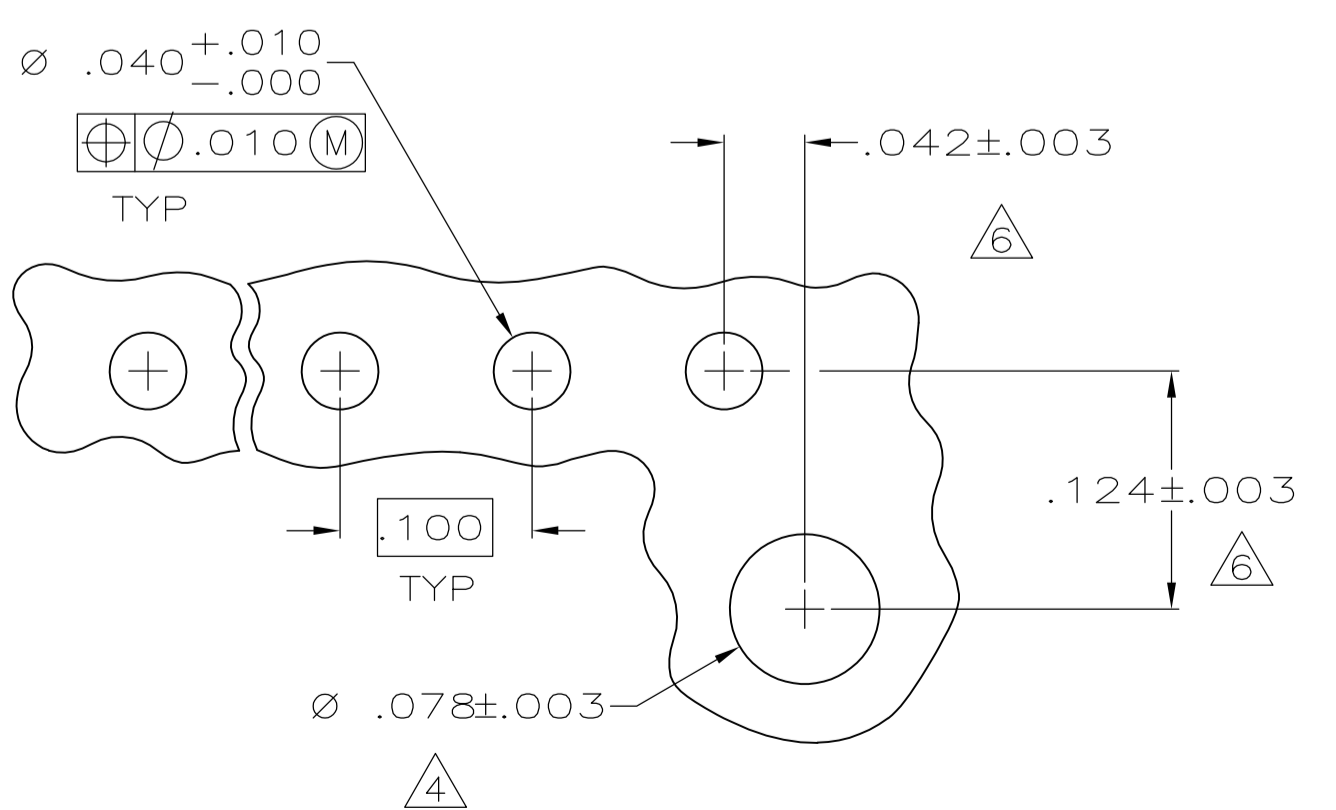
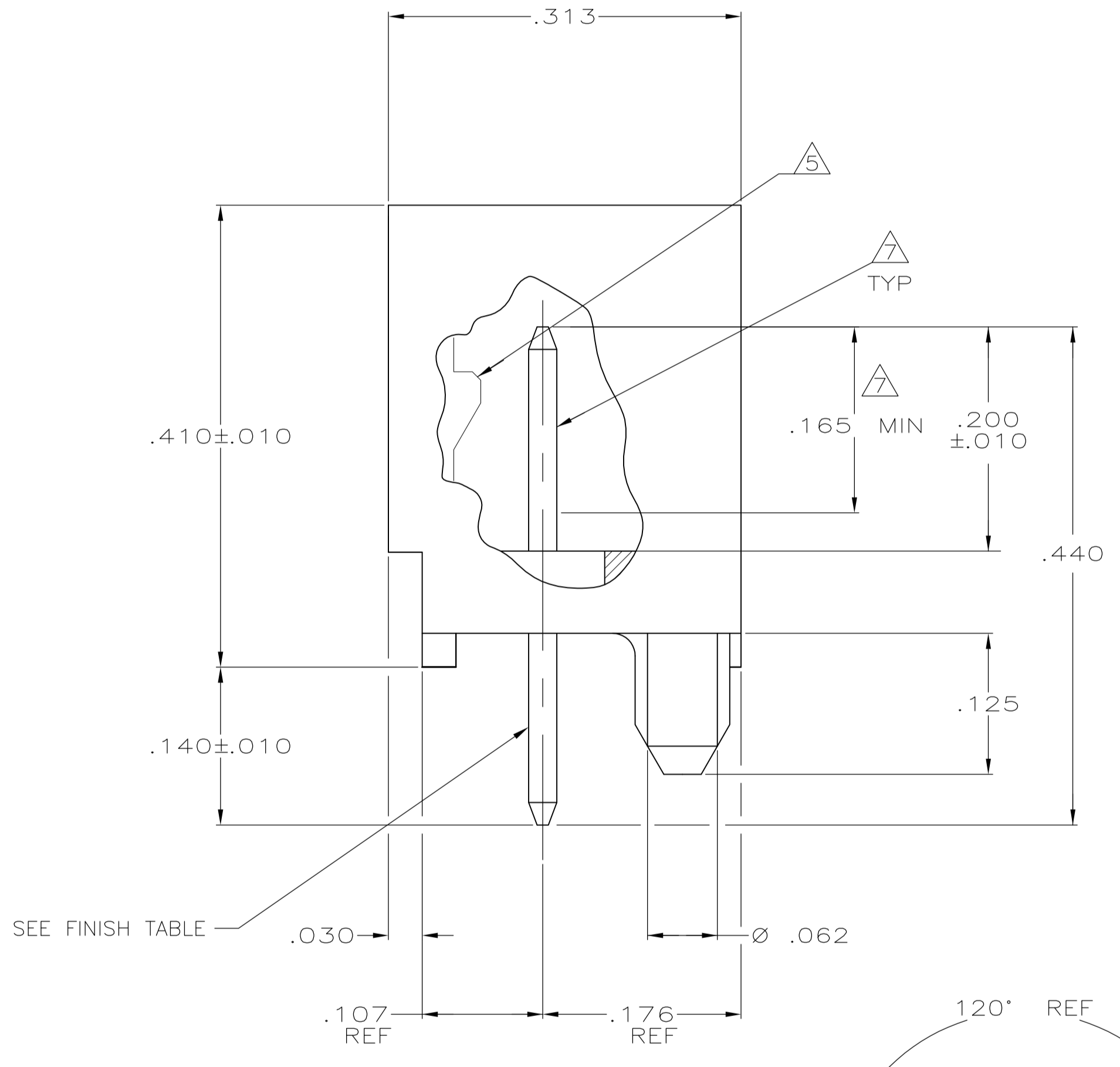
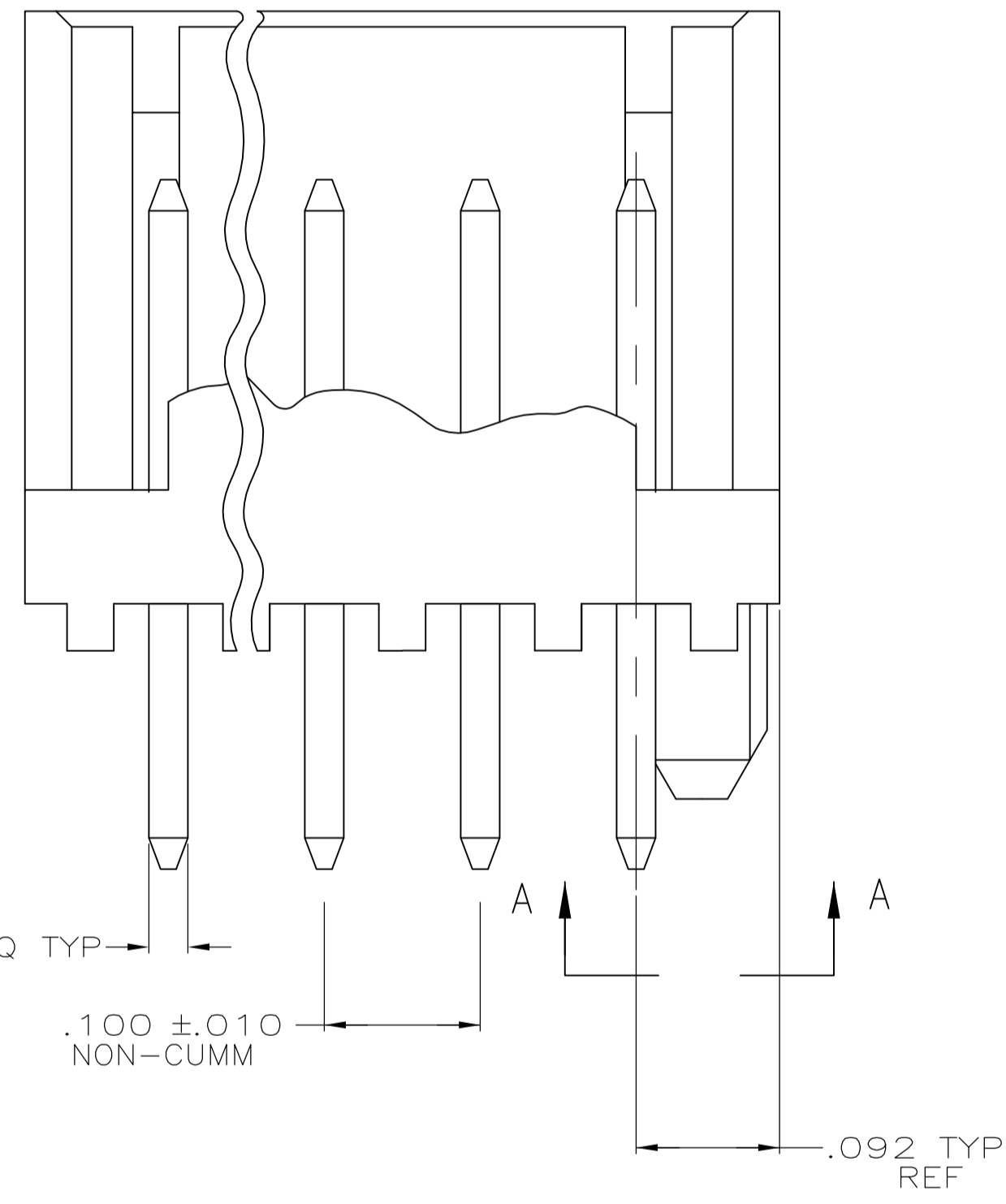


LOC	DIST	REVISIONS				
CM	00	REV	DESCRIPTION	DATE	BY	APPV
		H	REVISED PER ECO-11-014383	13OCT11	KH	SM
		J	ECR-13-008537	16SEP13	M.T	D.Z



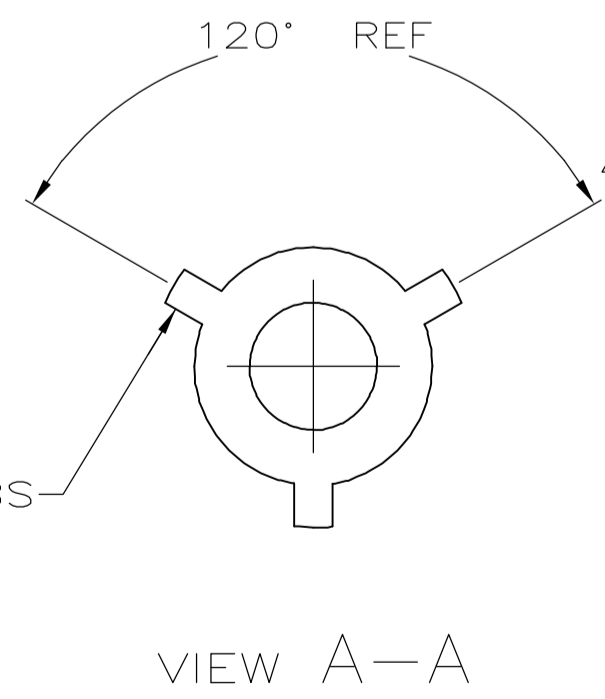
POST #1



RECOMMENDED MOUNTING HOLE PATTERN FOR .063 THK PRINTED CIRCUIT BOARD

.010	0.25	.107	2.72	.440	11.18
.005	0.13	.100	2.54	.410	10.41
.003	0.08	.092	2.34	.313	7.95
.001	0.03	.078	1.98	.200	5.08
.000350	0.00889	.063	1.6	.176	4.47
.000150	0.00381	.042	1.07	.165	4.19
.000050	0.00127	.040	1.02	.140	3.56
.000030	0.00076	.030	0.76	.125	3.18
.000	0	.025	0.64	.124	3.15
IN	MM	IN	MM	IN	MM

CONVERSION TABLE



METRIC

- 1 MATERIAL: HEADER- POLYESTER UL94V-0 (BLACK)  
POST- COPPER ALLOY.
- 2 SOLDER SIDE OF P.C. BOARD SHOWN.
- 3 PARTS COMPLY WITH AMP SOLDERABILITY SPEC 109-11-2.
- 4 THE RETENTION TABS PROVIDE A ONE-TIME INTERFERENCE FIT IN THE .078 DIAMETER BOARD HOLE FOR HEADER ASSEMBLY RETENTION DURING SOLDERING.
- 5 LATCH DETENT FEATURE OCCURS 2 PLACES ON EACH END (MAXIMUM OF FOUR PER PART). FOR 2 THRU 5 CIRCUIT HEADERS, LATCH FEATURE OCCURS BETWEEN EACH CIRCUIT.
- 6 COORDINATE DIMENSION APPLIES FROM CENTER OF ACTUAL FEATURE.
- 7 PLATING: GOLD PLATE AREA, .000030 GOLD OR .000003 MIN GOLD FLASH OVER .000027 PALLADIUM NICKEL, PER TE CONNECTIVITY'S DISCRETION, ALL SIDES, OVER NICKEL UNDERPLATE, .000050 MIN, ALL SIDES AND ENTIRE LENGTH OF POST.
- J 8 TIN PLATE, .000150-.000350 THK, ALL FOUR SIDES, .140 REF.
- 9 UL RECOGNIZED ( UR ) LOGO AND CSA LOGO WILL APPEAR ON THE SIDE OF THE PART. THE AMP LOGO MAY APPEAR ON THE SIDE OR ON BOTTOM OF PART.
- J 10 MATTE TIN PLATE .000150-.000350 THICK, ALL FOUR SIDES, .140 REF.
- 11 OBSOLETE PARTS: OBSOLETE CIS STREAMLINING PER D.RENAUD/D.SINISI

YES	10	1.484	37.69	14	3-644487-4
		1.384	35.15	13	3-644487-3
		1.284	32.61	12	3-644487-2
		1.184	30.07	11	3-644487-1
		1.084	27.53	10	3-644487-0
		.984	24.99	9	2-644487-9
		.884	22.45	8	2-644487-8
		.784	19.91	7	2-644487-7
		.684	17.37	6	2-644487-6
		.584	14.83	5	2-644487-5
		.484	12.29	4	2-644487-4
		.384	9.75	3	2-644487-3
		.284	7.21	2	2-644487-2

THIS DRAWING IS A CONTROLLED DOCUMENT.

DIN S CARPENTER 28MAY2003  
CHK D BOSSI 28MAY2003  
APPV D BOSSI 28MAY2003  
PRODUCT SPEC

TE Connectivity  
MTA-100 SHROUDED HEADER ASSEMBLY, FRICTION LOCK, STRAIGHT POST, .000030 GOLD

APPLICATION SPEC  
SIZE CASE CODE DRAWING NO  
A1 00779 C=644487

RESTRICTED TO  
WEIGHT  
CUSTOMER DRAWING

SCALE 10:1 SHEET 1 OF 1 REV J

# Mouser Electronics

Authorized Distributor

Click to View Pricing, Inventory, Delivery & Lifecycle Information:

[TE Connectivity:](#)

[644487-6](#)