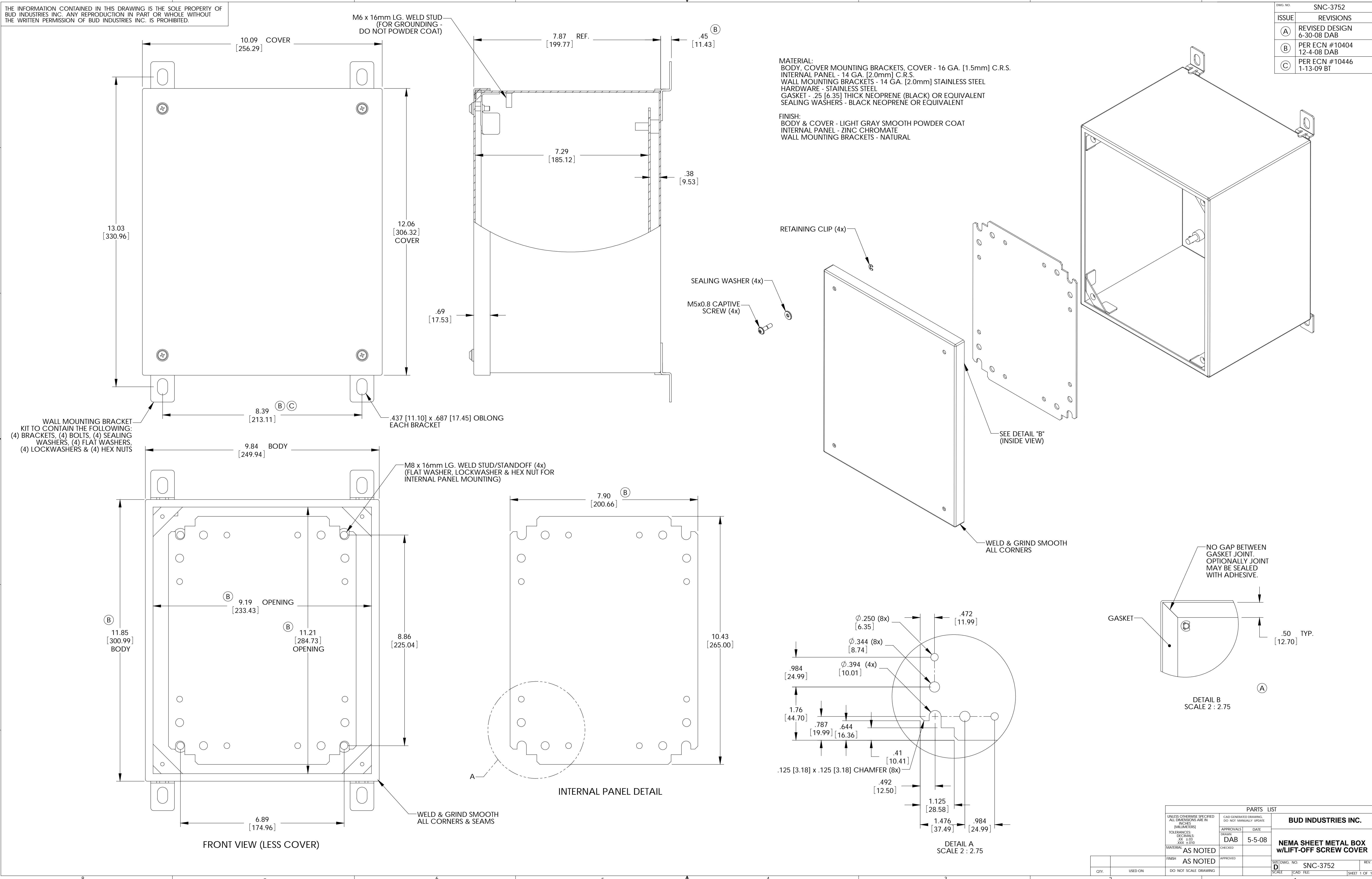


THE INFORMATION CONTAINED IN THIS DRAWING IS THE SOLE PROPERTY OF BUD INDUSTRIES INC. ANY REPRODUCTION IN PART OR WHOLE WITHOUT THE WRITTEN PERMISSION OF BUD INDUSTRIES INC. IS PROHIBITED.

ISSUE		REVISIONS
(A)	REVISED DESIGN	6-30-08 DAB
(B)	PER ECN #10404	12-4-08 DAB
(C)	PER ECN #10446	1-13-09 BT

MATERIAL:
 BODY, COVER MOUNTING BRACKETS, COVER - 16 GA. [1.5mm] C.R.S.
 INTERNAL PANEL - 14 GA. [2.0mm] C.R.S.
 WALL MOUNTING BRACKETS - 14 GA. [2.0mm] STAINLESS STEEL
 HARDWARE - STAINLESS STEEL
 GASKET - .25 [6.35] THICK NEOPRENE (BLACK) OR EQUIVALENT
 SEALING WASHERS - BLACK NEOPRENE OR EQUIVALENT

FINISH:
 BODY & COVER - LIGHT GRAY SMOOTH POWDER COAT
 INTERNAL PANEL - ZINC CHROMATE
 WALL MOUNTING BRACKETS - NATURAL



WALL MOUNTING BRACKET KIT TO CONTAIN THE FOLLOWING:
 (4) BRACKETS, (4) BOLTS, (4) SEALING WASHERS, (4) FLAT WASHERS, (4) LOCKWASHERS & (4) HEX NUTS

FRONT VIEW (LESS COVER)

INTERNAL PANEL DETAIL

DETAIL A SCALE 2 : 2.75

DETAIL B SCALE 2 : 2.75

PARTS LIST		BUD INDUSTRIES INC.	
UNLESS OTHERWISE SPECIFIED ALL DIMENSIONS ARE IN INCHES (MILLIMETERS)	CAD GENERATED DRAWING DO NOT MANUALLY UPDATE	DATE	5-5-08
TOLERANCES DECIMALS .XX ±.03 ANG. ±.010	APPROVALS	DATE	
MATERIAL AS NOTED	DAB	5-5-08	
FINISH AS NOTED	CHECKED		
APPROVED			
SIZE [DWG. NO.]	SNC-3752	SCALE [CAD FILE]	
QTY.	USED ON	DO NOT SCALE DRAWING	

Mouser Electronics

Authorized Distributor

Click to View Pricing, Inventory, Delivery & Lifecycle Information:

[Bud Industries:](#)

[SNC-3752](#)