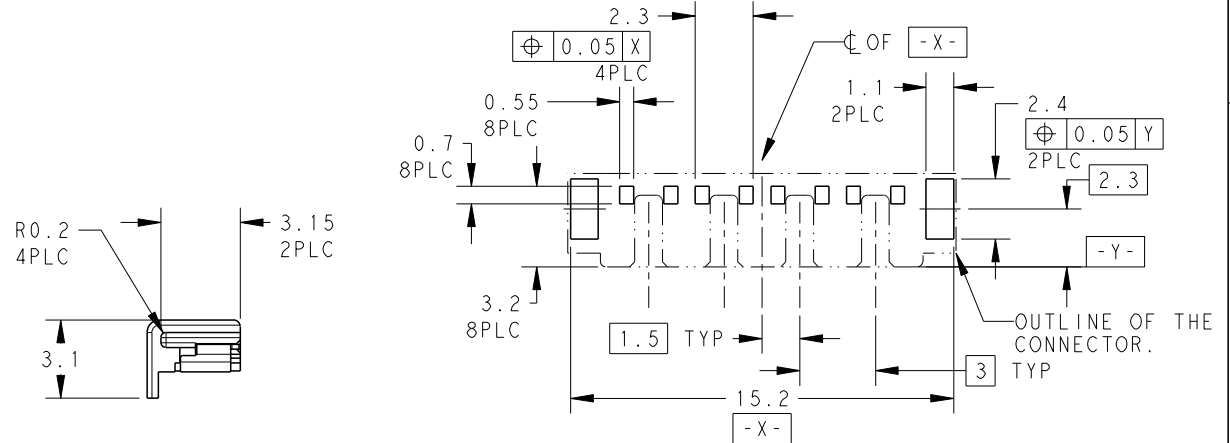
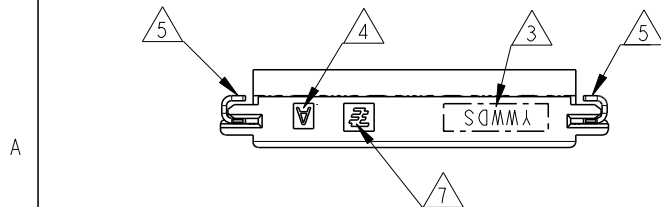
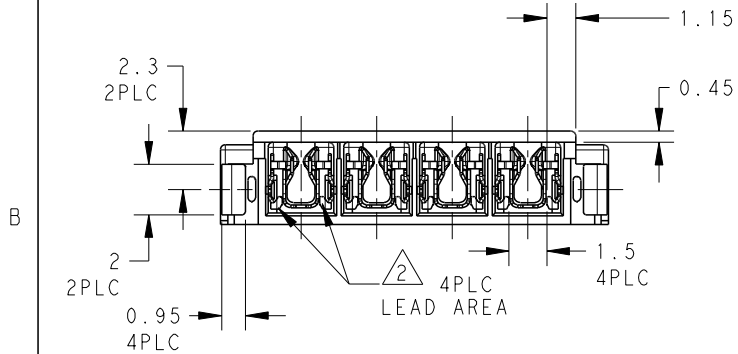
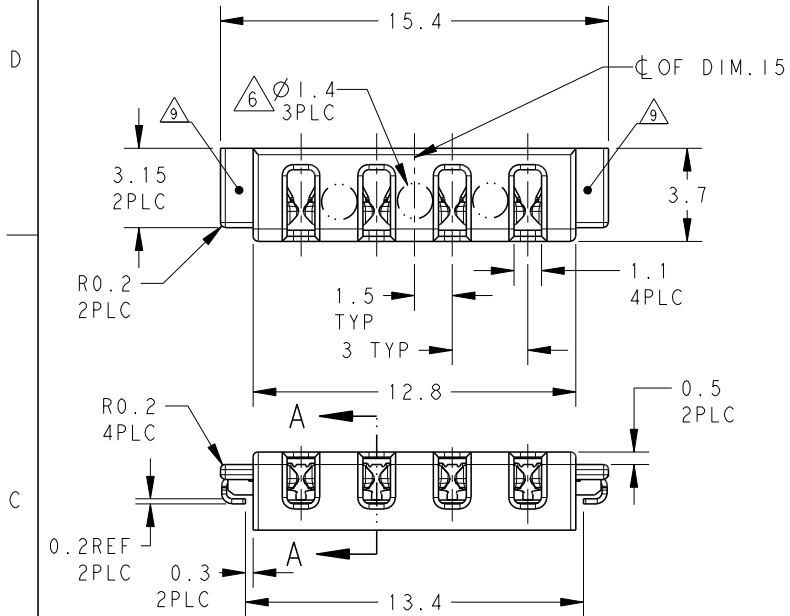
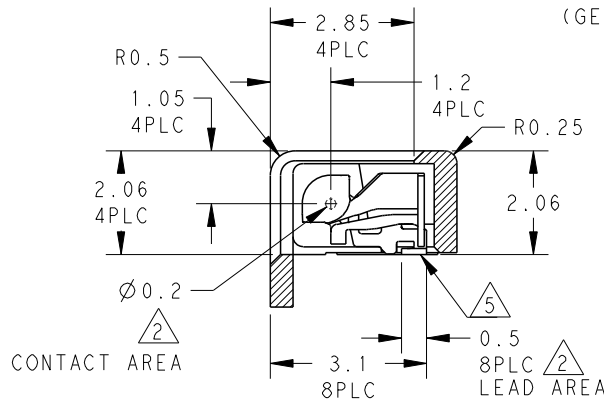


THIS DRAWING IS UNPUBLISHED. RELEASED FOR PUBLICATION
 (C) COPYRIGHT 19 ALL RIGHTS RESERVED.

LOC	DIST	REVISIONS					
		P	LTR	DESCRIPTION	DATE	DWN	APVD
DS	-		A	RELEASED	09JUN2011	JH.G	BW.K



REFERENCE P.C BOARD LAYOUT
 (GENERAL TOLERANCE: ±0.05, SCALE 5:1)



A-A
 SCALE 10:1

- △ MATERIAL CONTACT: COPPER ALLOY
- HOUSING: THERMO PLASTICS UL94 HB, BLACK
- SOLDER PEG: COPPER ALLOY
- △ FINISH CONTACT: NICKEL ALL OVER UNDER PLATING
- GOLD PLATING AT CONTACT AREA 0.5um MIN.
- GOLD FLASH PLATING AT LEAD AREA
- SOLDER PEG: NICKEL ALL OVER UNDER PLATING
- TIN PLATING ALL OVER
- △ DATE CODE: (YYWWS: Y-YEAR, WW-WEEK, D-DAY, S-SHIFT (D-DAY, N-NIGHT))
- △ MOLD CAVITY ID.
- △ COPLANARITY: 0.08MAX.
- △ PICKING AREA
- △ TRADE MARK
- 8. HSG SURFACE: TEXTURE ACCORDING VDI 3400-24/27 (R_a 1.9 MICROMETER).
- △ GATE BURR 0.08 MAX. GATE ON THE ONE SURFACE BETWEEN INDICATED TWO SURFACES OF THE PRODUCT.

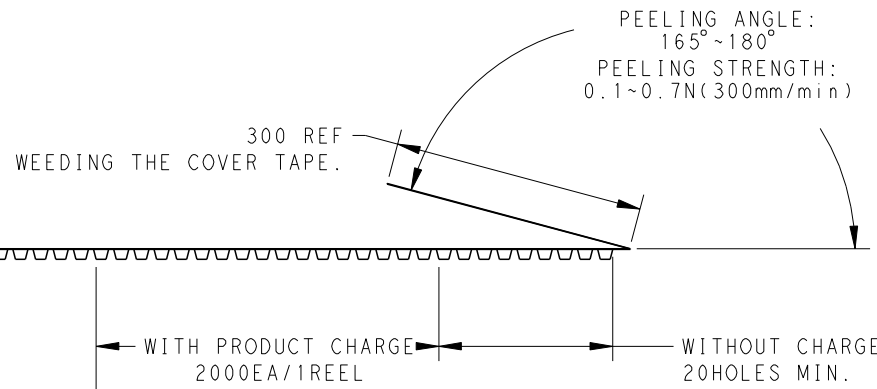
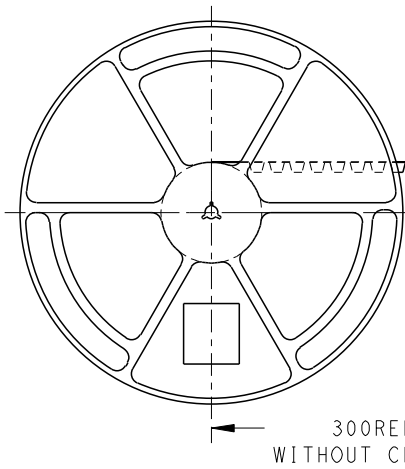
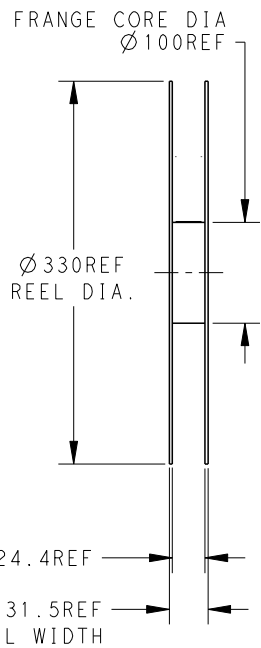
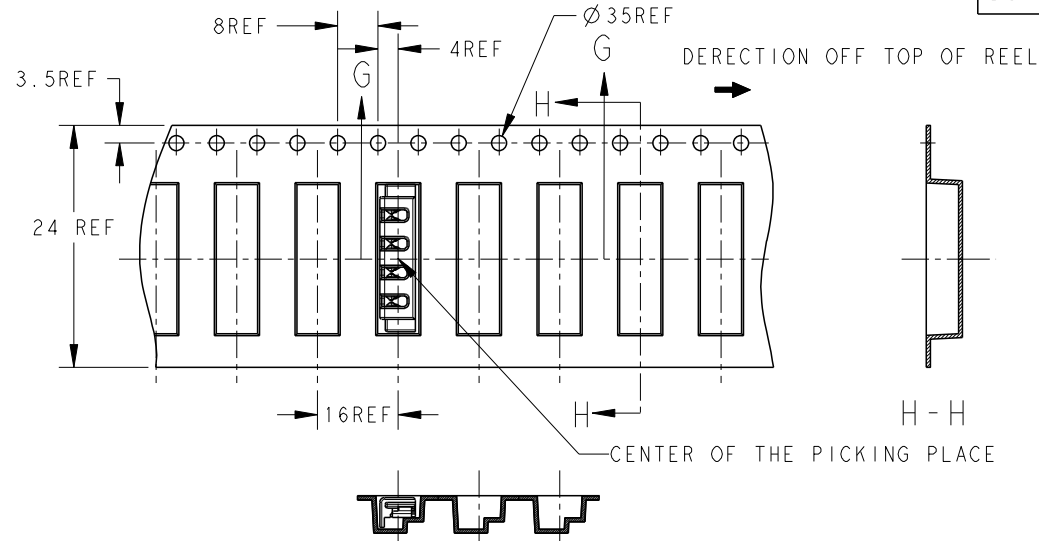
△ 2	2108074-2
FINISH	P/N

THIS DRAWING IS A CONTROLLED DOCUMENT.		DWN JH GONG 09JUN2011	TE Connectivity		
		CHK JH KIM 09JUN2011			
		APVD BW KANG 09JUN2011	NAME		
DIMENSIONS: mm		PRODUCT SPEC 108-61118		FLOATING BATTERY INTERCONNECTION SYSTEMS RECEPTACLE ASSEMBLY	
TOLERANCES UNLESS OTHERWISE SPECIFIED: ±0.15		APPLICATION SPEC		RESTRICTED TO	
0 PLC ± 1 PLC ±0.5 2 PLC ±0.13 3 PLC ±0.013 4 PLC ±0.0003 ANGLES ±		WEIGHT 0.14g		SIZE A3	CAGE CODE 00779
MATERIAL 1		FINISH 2		DRAWING NO C=2108074	
		CUSTOMER DRAWING		SCALE 5:1	SHEET 1 OF 2
				REV A	

THIS DRAWING IS UNPUBLISHED.
 RELEASED FOR PUBLICATION
 ALL RIGHTS RESERVED.

LOC DS
 DIST -

REVISIONS				DATE	DWN	APVD
P	LTR	DESCRIPTION				
-	-	SEE SHEET 1	-	-	-	-



2000	2108074-2
QTY/REEL	P/N

THIS DRAWING IS A CONTROLLED DOCUMENT.		DWN	TE Connectivity	
DIMENSIONS: mm		CHK		
TOLERANCES UNLESS OTHERWISE SPECIFIED: ±0.3		APVD	NAME	
0-PLC ± 1-PLC ±0.5 2-PLC ±0.13 3-PLC ±0.013 4-PLC ±0.003 ANGLES ±		PRODUCT SPEC	FLOATING BATTERY INTERCONNECTION SYSTEMS RECEPTACLE ASSEMBLY	
MATERIAL		APPLICATION SPEC	SIZE	RESTRICTED TO
FINISH		WEIGHT	CAGE CODE	DRAWING NO
		0.14g	A300779	©=2108074
CUSTOMER DRAWING			SCALE	SHEET
			NTS	2 OF 2
			REV	A

Mouser Electronics

Authorized Distributor

Click to View Pricing, Inventory, Delivery & Lifecycle Information:

[TE Connectivity:](#)

[2108074-2](#)