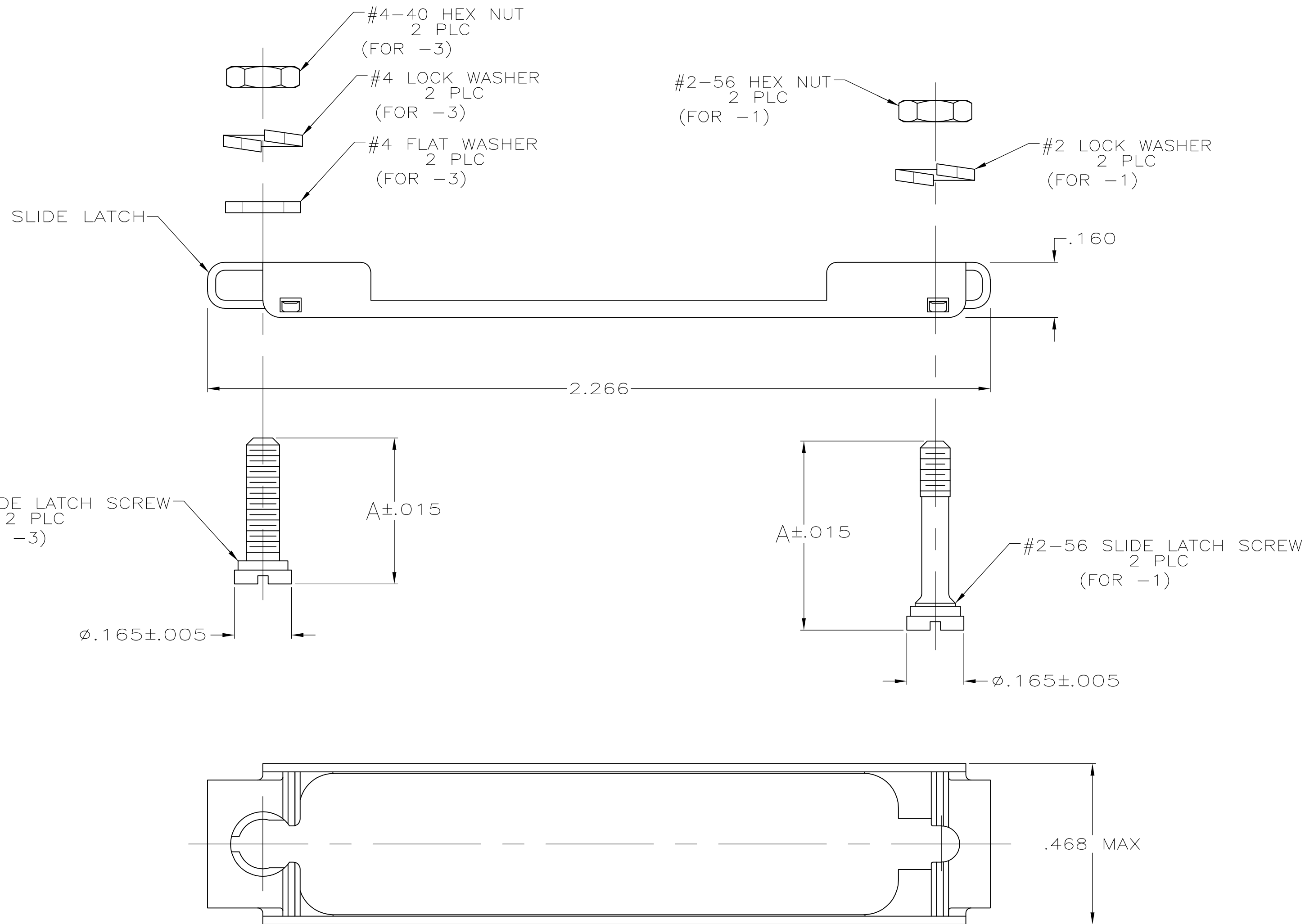


THIS DRAWING IS UNPUBLISHED. RELEASED FOR PUBLICATION
 © COPYRIGHT - By - ALL RIGHTS RESERVED.

LOC	DIST	REVISIONS			
P	LTR	DESCRIPTION	DATE	DWN	APVD
BD	0				
P		REVISED PER ECO-11-004835	11MAR11	RK	HMR



1. PARTS PACKAGED UNASSEMBLED.
2. PARTS PACKAGED AS A UNIT KIT.
3. ZINC PLATED .000200-.000400 THICK, CLEAR CHROMATE COATING.
4. ZINC PLATED .000200-.000400 THICK, YELLOW CHROMATE COATING.
5. THIS KIT CAN BE USED WITH TWO-PIECE STRAIGHT/90° EXIT CABLE CLAMPS, RFI/EMI CABLE CLAMPS OR UNIVERSAL CABLE CLAMPS.
6. THIS KIT CAN BE USED WITH STRAIGHT/45° EXIT ONE-PIECE CABLE CLAMPS, STRAIGHT/90° EXIT ONE-PIECE CABLE CLAMPS, OR ON CONNECTORS WITHOUT CABLE CLAMPS.

.415	4	#4-40	6	5745584-3
.547	3	#2-56	5	5745584-1
A	HARDWARE FINISH	THREAD TYPE	PART NO	

DIMENSIONS:		TOLERANCES UNLESS OTHERWISE SPECIFIED:		APVD		NAME	
INCHES		0 PLC	± -	30JUN05	S.WAITMAN		
		1 PLC	± -	30JUN05	J.GERACE		
		2 PLC	± -	30JUN05	M.WALMSLEY		
		3 PLC	± .010		PRODUCT SPEC		
		4 PLC	± -		APPLICATION SPEC		
		ANGLES	± -		WEIGHT		
MATERIAL		FINISH		WEIGHT		SIZE	
SLIDE LATCH: STAINLESS STEEL		HARDWARE: SEE TABLE		-		A2 00779	
HARDWARE: STEEL				CUSTOMER DRAWING		SCALE 4:1	
				SHEET 1 of 1		REV P	

Mouser Electronics

Authorized Distributor

Click to View Pricing, Inventory, Delivery & Lifecycle Information:

[TE Connectivity:](#)

[5745584-1](#)