

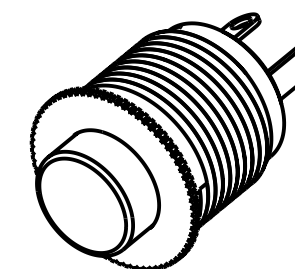
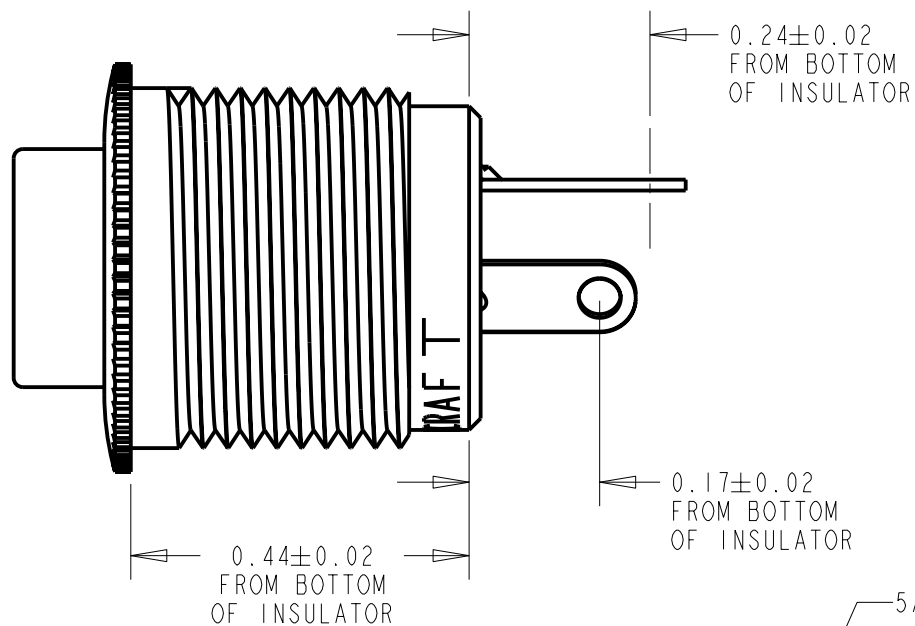
PART NUMBER	PART REV.	BUTTON COLOR	SCHEMATIC
903X	A	RED	I-C
903DX	A	RED	I-D
913X	A	BLACK	I-C
913DX	A	BLACK	I-D

**NOTES:**

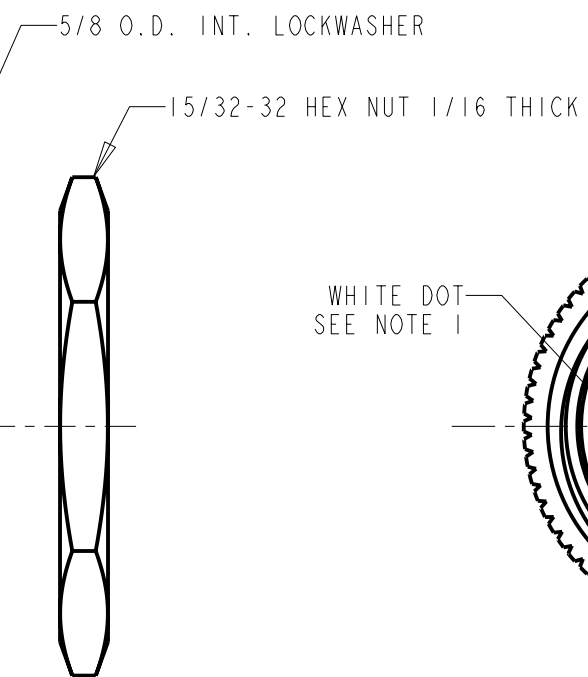
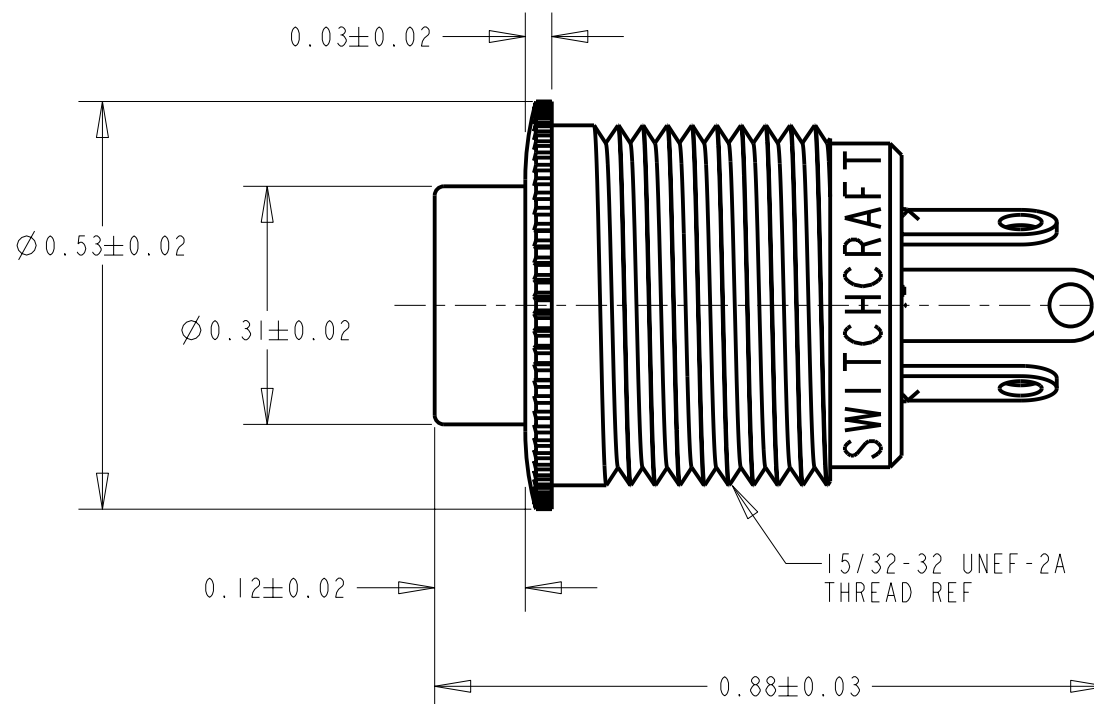
1. WHITE DOT DESIGNATES "I-D SCHEMATIC".
2. HEX NUT AND LOCKWASHER ARE SHIPPED UNASSEMBLED.
3. ALL DIMENSIONS ARE REFERENCE.
4. THESE PRODUCTS ARE RoHS COMPLIANT.

**SPECIFICATIONS:**

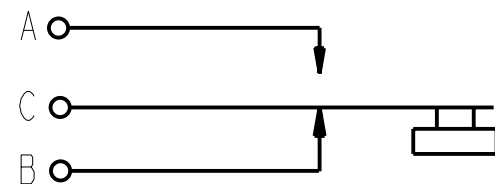
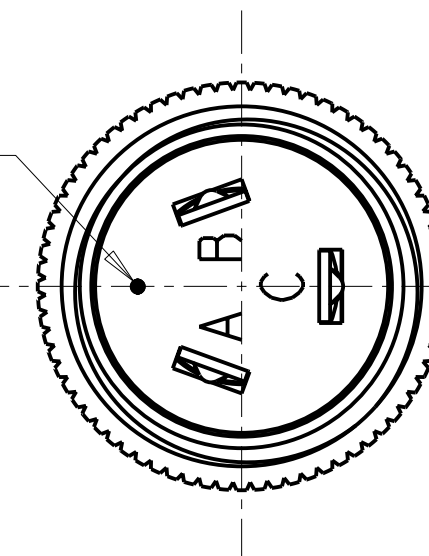
1. PUSHBUTTON - PLASTIC, SEE TABLE FOR COLOR
2. HOUSING - BRASS, NICKEL PLATED
3. TERMINALS - BRASS, SILVER PLATED
4. CONTACTORS - BRASS, SILVER PLATED
5. INSULATORS - PHENOLIC
6. SPRING - SILVER PLATED
7. HEX NUT - BRASS, NICKEL PLATED
8. WASHER - STEEL, NICKEL PLATED



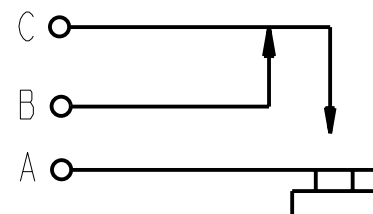
SCALE 2:1



WHITE DOT  
SEE NOTE 1



903X & 913X  
SCHEMATIC  
I-C



903DX & 913DX  
SCHEMATIC  
I-D

CUSTOMER DRAWING

REV	ECO NUMBER	DATE	BY	APVD
A	ECO #25286	1-18-07	TJK	TJK
REVISIONS				

- ★ STAR SYMBOL DENOTES CRITICAL DIMENSION
- UNLESS OTHERWISE SPECIFIED
- 1. ALL DIMENSIONS IN INCHES
  - TWO PLACE DECIMALS ±0.01
  - THREE PLACE DECIMALS ±0.005
  - ANGLES ±1°
  - ALL DIA. CONCENTRIC WITHIN 0.005 T.I.R.
- 2. FEATURES ON THE SAME CENTERLINE MUST BE ALIGNED WITHIN ±0.002
- 3. REMOVE ALL BURRS

DO NOT SCALE DRAWING

THIS DRAWING DESCRIBES A DESIGN CONSIDERED PROPRIETARY IN NATURE, DEVELOPED AND MANUFACTURED BY SWITCHCRAFT INC. AND IS RELEASED ON A CONFIDENTIAL BASIS FOR IDENTIFICATION PURPOSES ONLY.									
SIZE		WIDTH		MULT		LBS/M		TEMPER	
FINISH					MATERIAL				
SPEC No.					SPEC No.				
FIRST USED ON				SCALE					
				4:1					
DATE DRAWN		BY		CHKD		APVD			
18-Jan-07		TJK		TJK		TJK			
				1-18-07		1-18-07			
NAME									
BUTTON SWITCH, RoHS									
PART No. 903X & 913X 903DX & 913DX								REV A	

**Switchcraft**

SHEET 1 OF 1

# Mouser Electronics

Authorized Distributor

Click to View Pricing, Inventory, Delivery & Lifecycle Information:

[Switchcraft:](#)

[903X](#) [913X](#) [913DX](#)