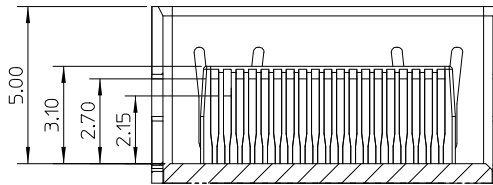
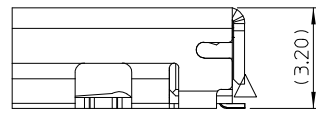
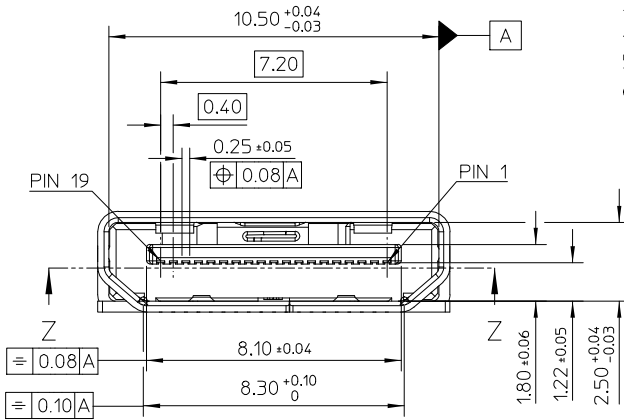
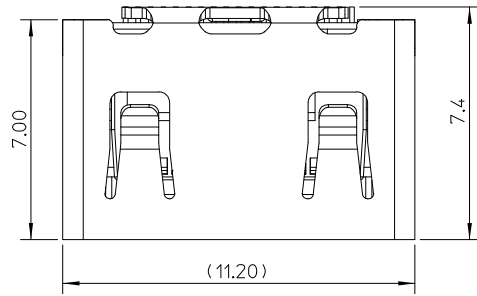
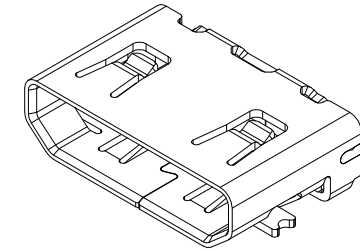


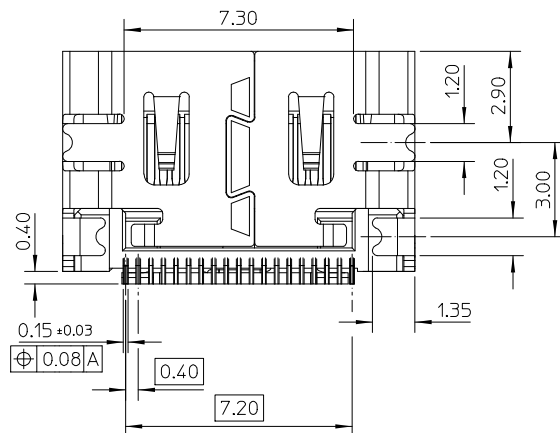
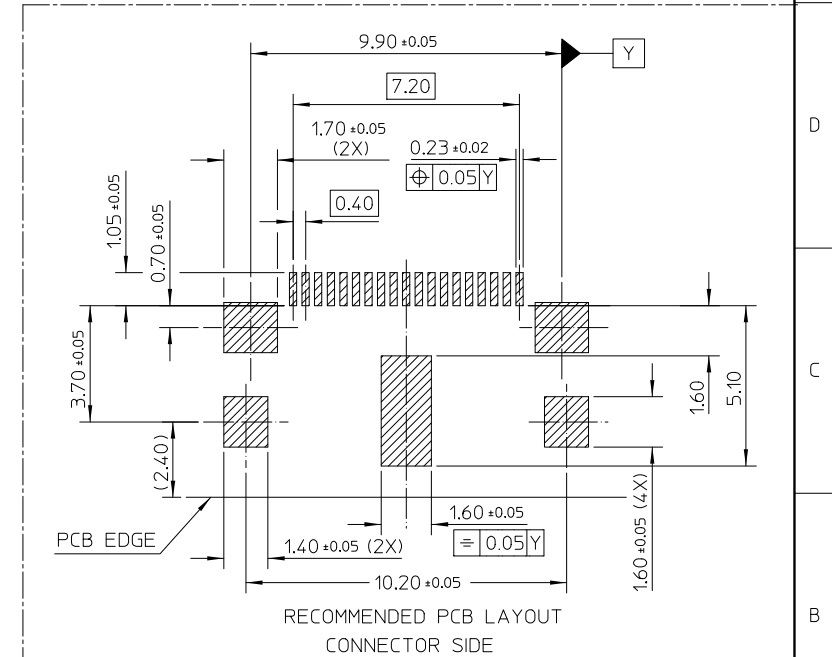
NOTES:

1. MATERIAL:
HOUSING: HIGH TEMPERATURE THERMAL PLASTIC. COLOR: BLACK.
TERMINAL: COPPER ALLOY.
SHELL: STAINLESS STEEL.
2. PLATING:
TERMINAL:
CONTACT AREA: SEE TABLE.
SOLDER AREA: 0.05 MICRON MIN. GOLD PLATING.
UNDER PLATE: 2.0 MICRON MIN. NICKEL.
SHELL:
1.27 MICRON MIN. MATTE TIN OVERALL.
UNDER PLATE: 1.27 MICRON MIN. NICKEL.
3. SOLDER TAIL COPLANARITY: 0.08mm MAX.
4. PRODUCT SPECIFICATION REFER TO PS-47648-001.
5. PACKAGE SPECIFICATION REFER TO PK-47648-001.
6. PRODUCT COMPLIANT TO RoHS DIRECTIVE 2002/95/EC AND ELV DIRECTIVE 2000/53/EC.



SECTION C-C

P/N	CONTACT AREA PLATING SPEC.
47648-2020	GOLD FLASH
47648-2010	15 MICRONS MIN. GOLD PLATING
47648-2000	30 MICRONS MIN. GOLD PLATING



NEW RELEASE EC NO: DRWN:XJSONG CHKD: APPR:	DESCRIPTION 2008/11/10	QUALITY SYMBOLS ▽=0 ▽=0	GENERAL TOLERANCES (UNLESS SPECIFIED)		DIMENSION STYLE	SCALE	DESIGN UNITS	THIRD ANGLE PROJECTION	
			mm	INCH	MM ONLY	1:1	METRIC		
REV	DRAWN: XJSONG	DESCRIPTION	4 PLACES	± ---	± ---	DRAWN BY	DATE	TITLE MINI HDMI RECEPTACLE SMT TYPE WITH SWITCH	
			3 PLACES	± ---	± ---	CHEN B0	2008/03/10		
			2 PLACES	± 0.10	± ---	CHECKED BY	DATE		
			1 PLACE	± 0.20	± ---	JOHNSON	2008/03/10		
			ANGULAR ± 1 °		APPROVED BY	DATE	MATERIAL NO.		
DRAFT WHERE APPLICABLE MUST REMAIN WITHIN DIMENSIONS			SEE TABLE		HARVEY		2008/03/10	MOLEX INCORPORATED	
					DOCUMENT NO.		SD-47648-100		
					SIZE A		THIS DRAWING CONTAINS INFORMATION THAT IS PROPRIETARY TO MOLEX INCORPORATED AND SHOULD NOT BE USED WITHOUT WRITTEN PERMISSION		
					SHEET NO.		1 OF 1		

Mouser Electronics

Authorized Distributor

Click to View Pricing, Inventory, Delivery & Lifecycle Information:

[Molex:](#)

[47648-2000](#)