

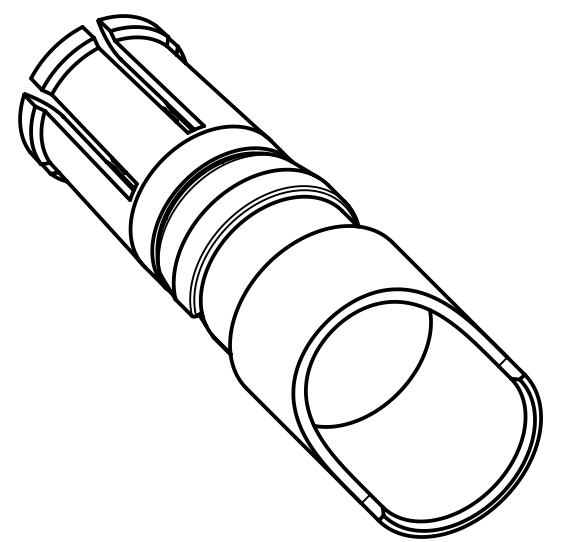
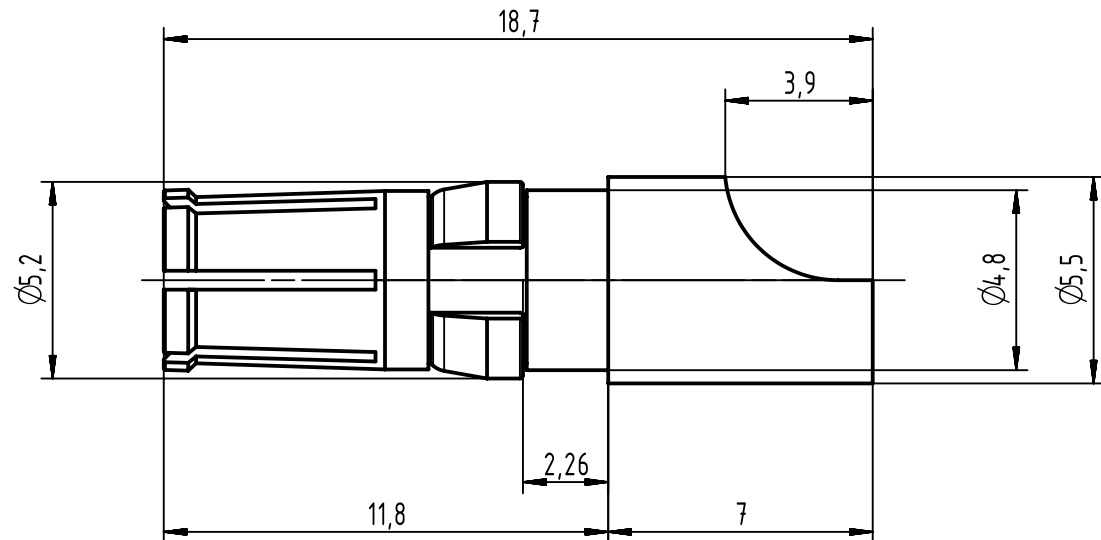
1 2 3 4 5 6


A

B

C

D



	All rights reserved Department EC PD - CN	All Dimensions in mm Original Size DIN A4		Scale 5:1	Free size tol.		Ref.		
		HARTING Electronics GmbH D-32339 Espelkamp		Created by ZHUANGJ	Inspected by LUOK	Standardisation HOFFMANN	Date 2015-11-05	State Final Release	
			Title D-Sub mixed female Short contact 40A solder AWG 8-10				Doc-Key / ECM-Nr. 100221618/UGD/001/B 500000095635		
			Type TB		Number 0969181X823			Rev. B	Page 1/1

Mouser Electronics

Authorized Distributor

Click to View Pricing, Inventory, Delivery & Lifecycle Information:

[HARTING:](#)

[09691817823](#) [09691815823](#)